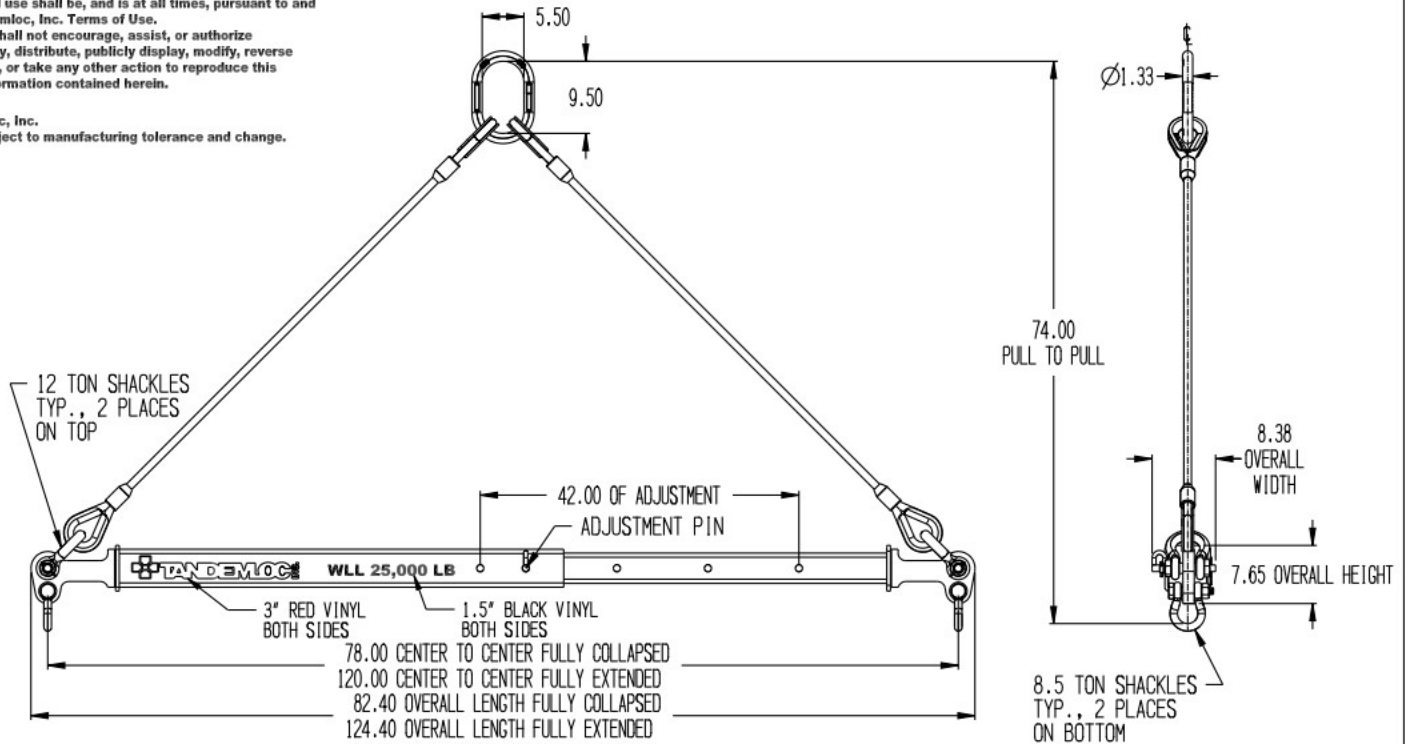


This document contains the proprietary information of Tandemloc, Inc. and your access and use shall be, and is at all times, pursuant to and limited by the Tandemloc, Inc. Terms of Use. You shall not, and shall not encourage, assist, or authorize another party to copy, distribute, publicly display, modify, reverse engineer, decompile, or take any other action to reproduce this document or the information contained herein.

©2019 by Tandemloc, Inc.
Dimensions are subject to manufacturing tolerance and change.



NOTES:

- PART NO.: AT14A025-120-PA, 78"-120" TELESCOPIC SPREADER
AT14A025-120SPA, 78"-120" TELESCOPIC SPREADER WITH TOP SLING
- WLL: 25,000 LB. @ 45° MINIMUM
- PROOF TESTED TO 125% (31,250 LB.) AND CERTIFIED
- STANDARD SPECIFICATION # EAD21000A APPLIES
- FINISH: SANDBLAST AND PRIME AND PAINT YELLOW
- CALCULATED WEIGHT: 278 LB. SPREADER WITH SLING: 352 LB.
- DESIGNED AND MANUFACTURED TO MEET OR EXCEED ASME B30.20 AND BTH-1, DESIGN CATEGORY B, SERVICE CLASS 0.

** DO NOT SIGN IF CHANGES ARE REQUIRED **

CUSTOMER APPROVAL: _____

DATE: _____

<small>1/4" DIMENSIONS UNLESS OTHERWISE NOTED. DIMENSIONS ARE IN INCHES & TOLERANCES ARE: .125, .250, .500, 1.000, 1.500, 3.000, 6.000, 1.000"</small>	<small>1" DIMENSIONS UNLESS OTHERWISE NOTED. DIMENSIONS ARE IN INCHES & TOLERANCES ARE: .005 TO .010, .010 TO .015, .015 TO .020, .020 TO .030, .030 TO .040, .040 TO .050, .050 TO .060, .060 TO .070, .070 TO .080, .080 TO .090, .090 TO .100, .100 TO .125, .125 TO .150, .150 TO .175, .175 TO .200, .200 TO .250, .250 TO .300, .300 TO .350, .350 TO .400, .400 TO .450, .450 TO .500, .500 TO .550, .550 TO .600, .600 TO .650, .650 TO .700, .700 TO .750, .750 TO .800, .800 TO .850, .850 TO .900, .900 TO .950, .950 TO 1.000"</small>	
<small>THIS DOCUMENT CONTAINS THE PROPRIETARY INFORMATION OF TANDEMLOC, INC. AND YOUR ACCESS AND USE SHALL BE, AND IS AT ALL TIMES, PURSUANT TO AND LIMITED BY THE TANDEMLOC, INC. TERMS OF USE. YOU SHALL NOT, AND SHALL NOT ENCOURAGE, ASSIST, OR AUTHORIZE ANOTHER PARTY TO COPY, DISTRIBUTE, PUBLICLY DISPLAY, MODIFY, REVERSE ENGINEER, DECOMPILER, OR TAKE ANY OTHER ACTION TO REPRODUCE THIS DOCUMENT OR THE INFORMATION CONTAINED HEREIN.</small>		TITEL AT14A025-120-PA 78"-120" TELESCOPIC SPREADER
<small>APPROVALS</small> <small>DATE</small> 03-28-19	<small>REV</small> D <small>DATE</small> 03-28-19 <small>BY</small> SAT14A025-120-PA-1	<small>REV</small> 1.0