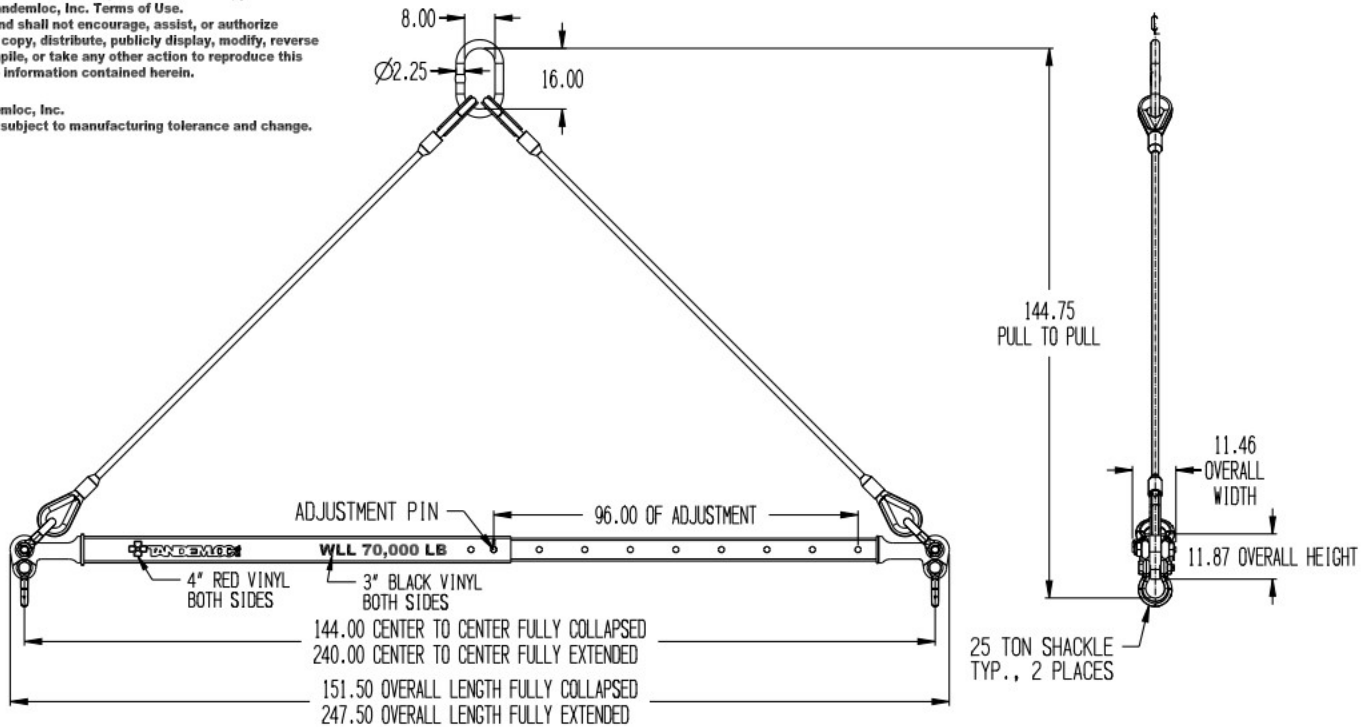


This document contains the proprietary information of Tandemloc, Inc. and your access and use shall be, and is at all times, pursuant to and limited by the Tandemloc, Inc. Terms of Use. You shall not, and shall not encourage, assist, or authorize another party to copy, distribute, publicly display, modify, reverse engineer, decompile, or take any other action to reproduce this document or the information contained herein.

©2019 by Tandemloc, Inc.
Dimensions are subject to manufacturing tolerance and change.



- NOTES:
- PART NO.: AT14A070-240-PA, 144"-240" TELESCOPIC SPREADER
AT14A070-240SPA, 144"-240" TELESCOPIC SPREADER WITH TOP SLING
 - WLL: 70,000 LB. @ 45° MINIMUM
 - PROOF TESTED TO 125% (87,500 LB.) AND CERTIFIED
 - STANDARD SPECIFICATION # EAD21000A APPLIES
 - FINISH: SANDBLAST AND PRIME AND PAINT YELLOW
 - CALCULATED WEIGHT: 952 LB. SPREADER WITH SLING; 1,373 LB.
 - DESIGNED AND MANUFACTURED TO MEET OR EXCEED
ASME B30.20 AND BTH-1, DESIGN CATEGORY B, SERVICE CLASS 0.

** DO NOT SIGN IF CHANGES ARE REQUIRED **

CUSTOMER APPROVAL: _____
DATE: _____

<input type="checkbox"/> 1/2" DIMENSIONS APPLICABLE UNLESS OTHERWISE NOTED. DIMENSIONS ARE IN INCHES & TOLERANCES ARE: .125" ±.005 .005" ±.001 OVER 18.75" ±.002	<input type="checkbox"/> 1" DIMENSIONS APPLICABLE UNLESS OTHERWISE NOTED. DIMENSIONS ARE IN INCHES & TOLERANCES ARE: 0 TO 4" ±.010 4.00" TO 7" ±.005 7.00" TO 24.00" ±.002 OVER 18.75" ±.002	TANDEMLOC TITLE: AT14A070-240-PA 144"-240" TELESCOPIC SPREADER DATE: 09-21-19 Dwg No: 65059 SAT 14A070-240-PA-1
---	--	---