

NOTES:

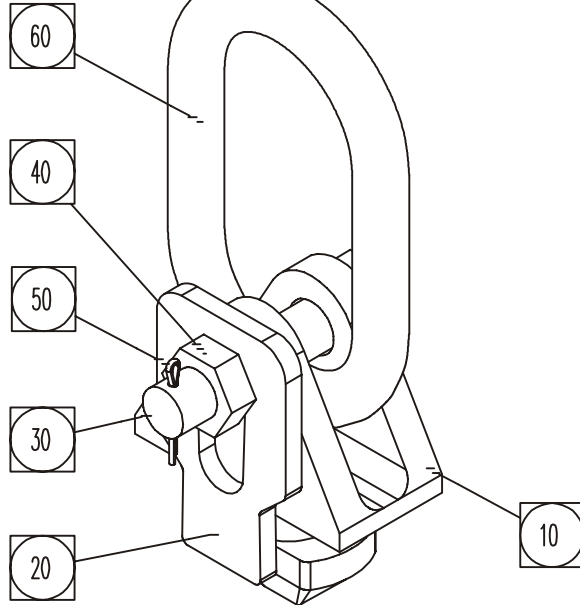
- P/N: 20901AA-1PA LIFT LUG WITH RING
20901AA-2PA LIFT LUG W/O RING
20901AA-3PA DOUBLE GRAVITY LUG W/O RING
20901AA-4PA LIFT LUG WITH FORGED FLEXIBLE LINK
- OLD P/N: 72009-1

ISO LIFT LUG ASS'Y (S20901AA)
Cage Code: 65059 | Drawing No: S20901AA | Revision: A | Sheet: 1 of 3

UNLESS OTHERWISE SPECIFIED, DIMENSIONS ARE IN INCHES

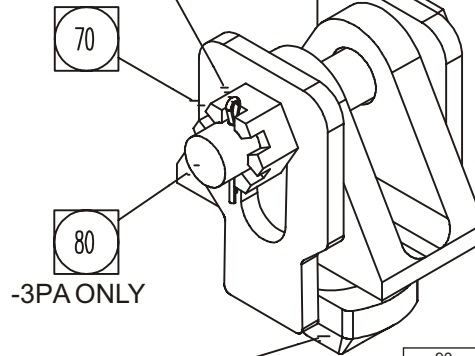
-1PA, -2PA, & -3PA: WLL 25,000 LB AT 90°
-4PA : WLL 22,000 LB AT 60°

-1PA ONLY



NOTE: -2PA SAME AS -1PA
EXCEPT WITH NO RING

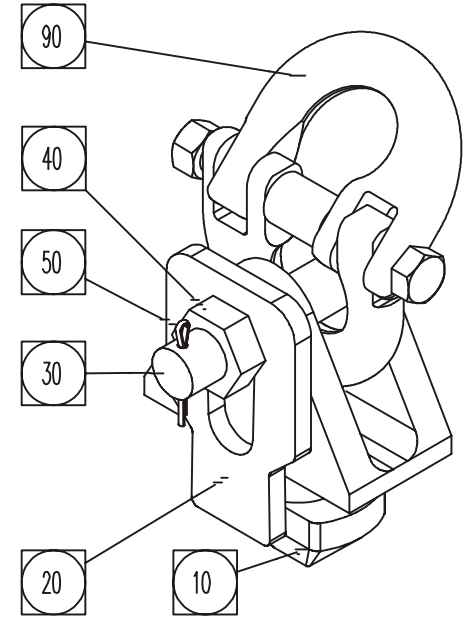
-3PA ONLY



-3PA ONLY

10

-3PAASS'Y



LIST OF MATERIALS

90	-	-	-	1	FORGED FLEXIBLE LINK
80	-	-	1	-	BOLT FOR ISO LIFT LUG (DBL GRAV)
70	-	-	1	-	1.25-7 CASTLED NUT, STD HT ZINC PL
60	1	-	-	-	MASTER LINK (ON -1PA ASS'Y ONLY)
50	1	1	1	1	3/16 X 2 COTTER PIN
40	1	1	-	1	NUT, THIN JAM, GR2 ZINC PL, YELLOW
30	1	1	-	1	BOLT FOR ISO LIFT LUG
20	1	1	2	1	GRAVITY LOCK
10	1	1	1	1	EMERGENCY LIFT LUG
PC. NO	-1PA	-2PA	-3PA	-4PA	PART NO. AND DESCRIPTION

REVISIONS

REV	DESCRIPTION	DATE	APPROVED
A	SOME PICTURE IMPROVEMENTS MADE ON SHEETS 2 & 3	1/7/05	MD

To avoid lifter failure, potential death and property damage, Never Exceed WLL (Working Load Limit)

This document contains the proprietary information of Tandemloc, Inc. and your access and use shall be, and is at all times, pursuant to and limited by the Tandemloc, Inc. Terms of Use.

You shall not, and shall not encourage, assist, or authorize another party to copy, distribute, publically display, modify, reverse engineer, decompile, or take any other action to reproduce or replicate this document or the information contained herein. © Copyright 2011 by Tandemloc, Inc.

Dimensions are subject to manufacturing tolerance and change.



Email: info@tandemloc.com • www.tandemloc.com
824 Highway 101 • Havelock, NC 28532
TEL: 1.800.258.7324 (252.447.7155)
FAX: 1.800.892.3273 (252.447.5502)

Tandemloc designs, manufactures and tests lifting, securing and mobilizing components for all industries. See our website for details and important safety information.

Read all safety labels and instructions prior to use. Product to be used by qualified personnel only.

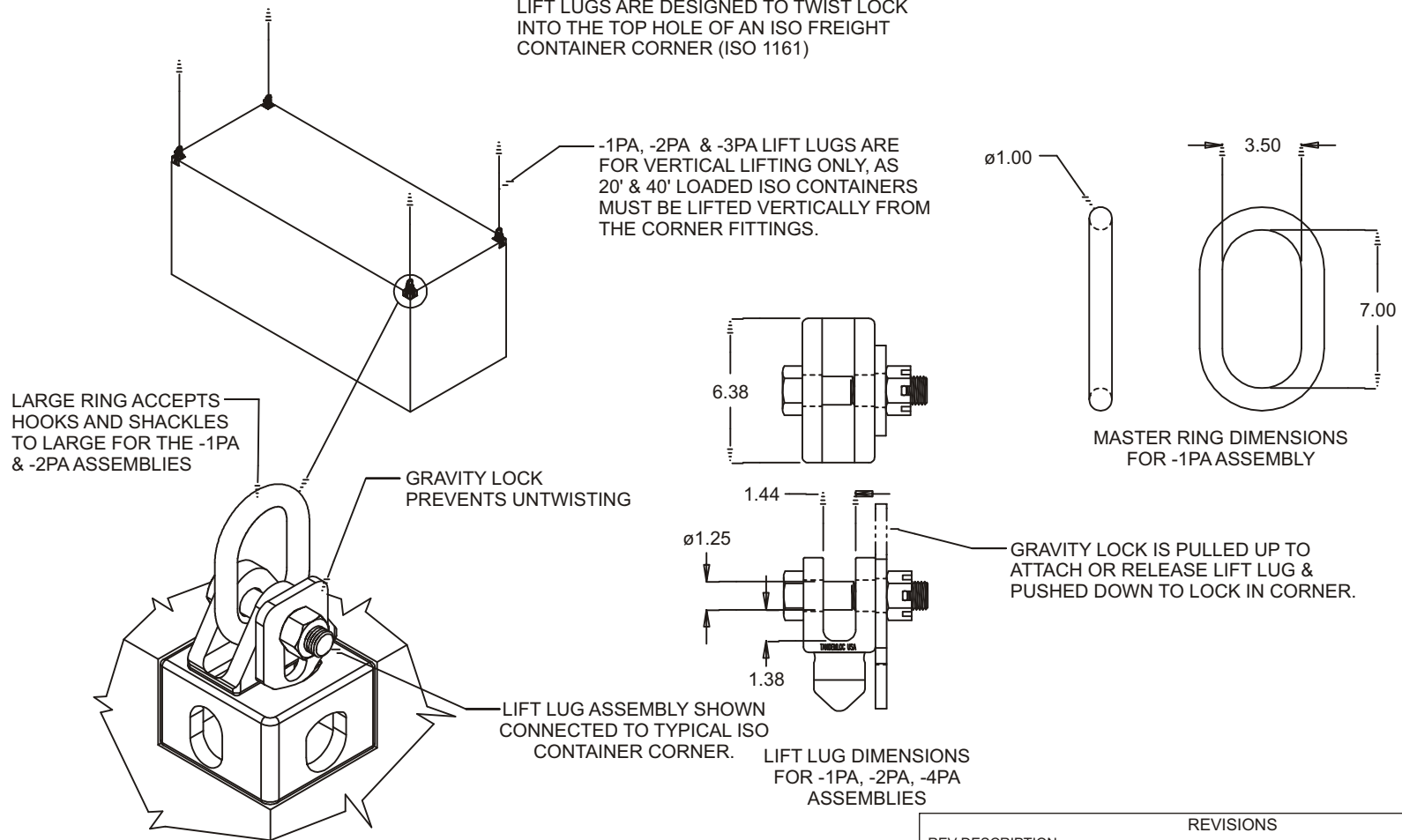
ISO LIFT LUG ASS'Y (S20901AA)

Cage Code: 65059 | Drawing No: S20901AA | Revision: A | Sheet: 2 of 3

UNLESS OTHERWISE SPECIFIED, DIMENSIONS ARE IN INCHES

USE DATA

LIFT LUGS ARE DESIGNED TO TWIST LOCK INTO THE TOP HOLE OF AN ISO FREIGHT CONTAINER CORNER (ISO 1161)



REVISIONS		DATE	APPROVED
REV	DESCRIPTION		
A	SOME PICTURE IMPROVEMENTS MADE ON SHEETS 2 & 3	1/7/05	MD

To avoid lifter failure, potential death and property damage, Never Exceed WLL (Working Load Limit)

This document contains the proprietary information of Tandemloc, Inc. and your access and use shall be, and is at all times, pursuant to and limited by the Tandemloc, Inc. Terms of Use.

You shall not, and shall not encourage, assist, or authorize another party to copy, distribute, publically display, modify, reverse engineer, decompile, or take any other action to reproduce or replicate this document or the information contained herein. © Copyright 2011 by Tandemloc, Inc.

Dimensions are subject to manufacturing tolerance and change.



Email: info@tandemloc.com • www.tandemloc.com
 824 Highway 101 • Havelock, NC 28532
 TEL: 1.800.258.7324 (252.447.7155)
 FAX: 1.800.892.3273 (252.447.5502)

Tandemloc designs, manufactures and tests lifting, securing and mobilizing components for all industries. See our website for details and important safety information.

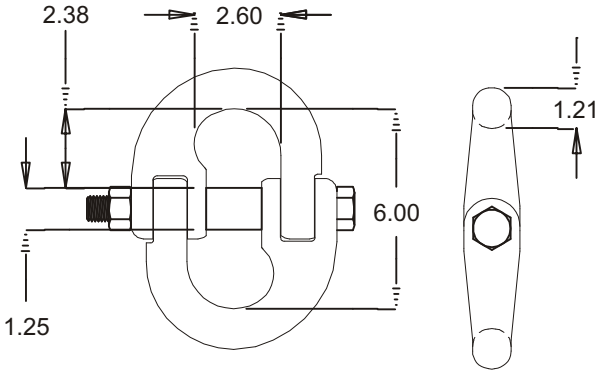
Read all safety labels and instructions prior to use. Product to be used by qualified personnel only.

ISO LIFT LUG ASS'Y (S20901AA)

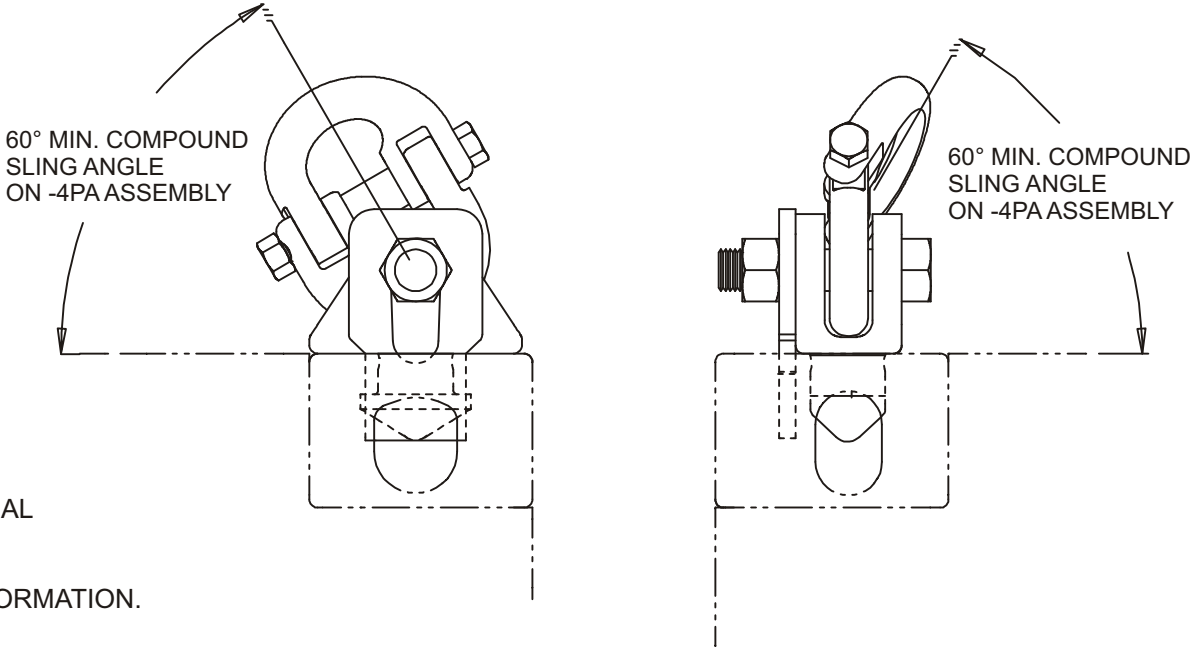
Cage Code: 65059 | Drawing No: S20901AA | Revision: A | Sheet: 3 of 3

UNLESS OTHERWISE SPECIFIED, DIMENSIONS ARE IN INCHES

USE DATA



FLEX LINK DIMENSIONS FOR -4PA ASSEMBLY



-4PA LIFT LUG IS FOR ANGULAR LIFTING, FROM ISO CORNER FITTING (ISO 1161) IS PERMISSIBLE FOR MOST EMPTY ISO CONTAINERS AND SPECIAL CONTAINERS MADE TO WITHSTAND THE COMPRESSIVE FORCE OF AN ANGULAR LIFT CONSULT ISO 3874 FOR DEFINITIVE USAGE INFORMATION.

REVISIONS			
REV	DESCRIPTION	DATE	APPROVED
A	SOME PICTURE IMPROVEMENTS MADE ON SHEETS 2 & 3	1/7/05	MD

To avoid lifter failure, potential death and property damage, Never Exceed WLL (Working Load Limit)
 This document contains the proprietary information of Tandemloc, Inc. and your access and use shall be, and is at all times, pursuant to and limited by the Tandemloc, Inc. Terms of Use.
 You shall not, and shall not encourage, assist, or authorize another party to copy, distribute, publically display, modify, reverse engineer, decompile, or take any other action to reproduce or replicate this document or the information contained herein. © Copyright 2011 by Tandemloc, Inc.
 Dimensions are subject to manufacturing tolerance and change.



Email: info@tandemloc.com • www.tandemloc.com
 824 Highway 101 • Havelock, NC 28532
 TEL: 1.800.258.7324 (252.447.7155)
 FAX: 1.800.892.3273 (252.447.5502)

Tandemloc designs, manufactures and tests lifting, securing and mobilizing components for all industries. See our website for details and important safety information.
 Read all safety labels and instructions prior to use. Product to be used by qualified personnel only.