

Kontrol-Karriers

- Lift and dispense a drum with your hoist or crane
- Provides controlled high-level pouring
- Allows 360° drum tilt control in both directions with pull chain control with 60:1 gear ratio & gear covers
- Handle drum with faucet in place
- Stands upright on foot support
- Capacity: 1500 Lb. (680 kg) full drum
800 Lb. (363 kg) half-full drum
- Model 185AM-HD has spark resistant parts
- Model 185A-HDSS made of Stainless Steel

Heavy-Duty Kontrol-Karriers have a 12' (3.6 m) long pull chain loop with 6' (1.8 m) drop so you control drum tilting, 360° in either direction. Dispense a drum overhead with your crane or hoist. Can also be ordered with Hand Crank or Hand Wheel option for use only within reach of operator.

We recommend the MORStop™ Tilt-Brake option to automatically hold the drum tilt angle until you move it. This prevents a partially full, unbalanced drum from turning out of control, even when the contents shift from one end to the other.



>> [Watch Video](#) <<

MORCINCH™ Drum Handling System

- Automatically adjusts for 22" to 23.5" (56 to 59.7 cm) diameter
- Accepts Diameter Adapters for smaller drum
- Bolt-on Top Rim Clamp or Bracket Assembly for plastic drum, or to more securely handle fiber drum
- Flexible cinch chain cover helps protect drum sidewall



Accessories

Bracket Assembly for Rimless Drum



The **Bracket Assembly** provides a brace at top and bottom of drum to prevent it from slipping. It is **REQUIRED** for handling a rimless plastic drum, and recommended to more securely handle a fiber drum. Adjusts for 31" to 39" (79 to 99 cm) tall drum.

Kit # 4556-P - Bracket Assembly
Kit # 4556M-P - Spark Resistant
Kit # 4556SS-P - Stainless Steel

Top Rim Clamp for Rimmed Drum



The **Top Rim Clamp** grips the upper rim of drum to prevent it from slipping. Use to handle a 55-gallon (210 liter) rimmed plastic or fiber drum. To safely handle a 55-gallon plastic drum with top rim, you **MUST** install either the Bracket Assembly or the Top Rim Clamp.

Kit # 4560B-P - Rim Clamp
Kit # 4560M-P - Spark Resistant
Kit # 4560SS-P - Stainless Steel

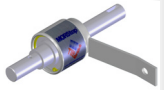
Diameter Adapters for Smaller Drum



Diameter Adapters insert into the drum holder to handle your smaller drum. Select the correct size Diameter Adapter for each drum (page 2). Spark resistant and stainless steel Diameter Adapters are also available.

Factory Installed Options

We recommend **Option # 3900i-P** Factory installed **MORStop™ Tilt-Brake** to automatically hold the drum tilt angle



Option # X02-185
Factory installed 9"
(23 cm) Hand Crank

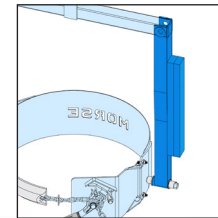


Option # X03-185
Factory installed 16"
(40.6 cm) Hand Wheel

Web Strap and Ratchet



Option 5115i-P
Factory installed Web Strap and Ratchet



Option 4622i-P
Factory installed counterweight keeps Heavy-Duty Kontrol-Karrier hanging plumb, even without drum in holder.

| Kontrol-Karriers | | | Factory Installed Options | | | | | Export Crate | Kits for Customer to Install | | | | | |
|------------------|-----------------------|--------------|---------------------------|-------------|-------------|---------------------|----------------|--------------|------------------------------|------------|------------|---------------------|----------------|--------------|
| Model # | Description | Tilt Control | MORStop Tilt-Brake | Hand Crank | Hand Wheel | Web Strap & Ratchet | Counter Weight | Crate # | MORStop Tilt-Brake | Hand Crank | Hand Wheel | Web Strap & Ratchet | Counter Weight | Fork Pockets |
| 185A-HD | Standard | Chain Wheel | 3900i-P | X02-185 | X03-185 | 5115i-P | 4622i-P | 2834X-P | 3900-P | 1460-P | 2690-P | 5115-P | 4623-P | 6315-P |
| 185AM-HD | Spark Resistant Parts | Chain Wheel | 3900i-P | X02-185M | X03-185M | 5115Mi-P | 4622i-P | | 3900-P | 1460M-P | 2690M-P | 5115M-P | 4623-P | None |
| 185A-HDSS | T304 Stainless Steel | Chain Wheel | 3900SSi-P | X02-185HDSS | X03-185HDSS | 5115SSi-P | 4622SSi-P | | 3900SS-P | 1460SS-P | 2690SS-P | 5115SS-P | 4623SS-P | None |

* Half-full rating is an indication of capacity for tilting an unbalanced, bottom-heavy drum. A partially full drum with unbalanced and shifting load is harder to tilt than a full drum.

MADE
IN
USA

Stainless Steel Model 185A-HDSS



The frame and drum holder band are made of finished type 304 stainless steel ideal for food or pharmaceutical application where regular wash down is required.

Welds are NOT ground smooth or polished. Some purchased parts are NOT stainless, such as ratchet and pawl. Gears and sprockets are NOT stainless, but covered with plastic guards.

Factory Installed Options:

Option # 3900SSi-P
Stainless MORStop™ Tilt-Brake

Option # 5115SSi-P
Stainless web strap & ratchet

Option # 5597SSi-P
Stainless steel ratchet & pawl

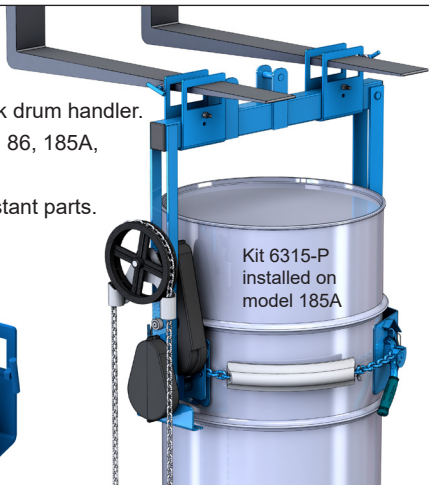
Option # SSG-HD
Stainless steel gears

Fork Pocket Kit # 6315-P

Add fork pockets to below-hook drum handler.

Install on model 85A, 85G, 85i, 86, 185A, 185G, 185A-HD or 185G-HD.

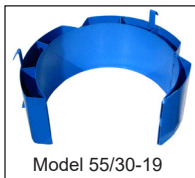
NOT for model with spark resistant parts.



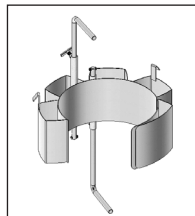
Diameter Adapters

Insert the correct size Diameter Adapter to dispense a smaller drum, simply lift the Diameter Adapter out of the drum holder to return to handling a 55-gallon (210 liter) drum.

Diameter Adapters for 17.5" (44.5 cm) diameter or smaller drum have integrated brackets at top and bottom of the drum. They adjust to securely hold a drum up to 38" (96.5 cm) tall.



Model 55/30-19



Model 55/30SS-16

Asymmetric Drum Cones

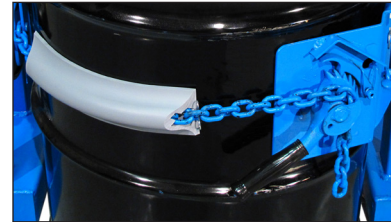


Attach an Asymmetric Drum Cone with iris valve or slide gate to your drum to start and stop material flow as needed. Also available with flange to attach valve of your choice.

Steps for use of Morse Heavy-Duty Kontrol-Karriers

1. Attach the off-center lifting point of the Kontrol-Karrier to your hoist hook, then move to your upright drum.

2. Mate the Kontrol-Karrier's drum holder to the middle of your drum.



3. Secure drum holder to your drum between drum ribs... no tools are needed. To secure drum, drape the cinch chain with flexible chain cover across the front of the drum, insert one link into the slot in the ratchet handle, and turn the ratchet handle clockwise to tighten the cinch chain around the drum.



4. Tighten the Top Rim Clamp or adjust the Bracket Assembly height, if your Heavy-Duty Kontrol-Karrier is so equipped.

5. Transfer your hoist hook to the centered lifting point.

6. Lift the Heavy-Duty Kontrol-Karrier and secured drum, with your hoist or crane.

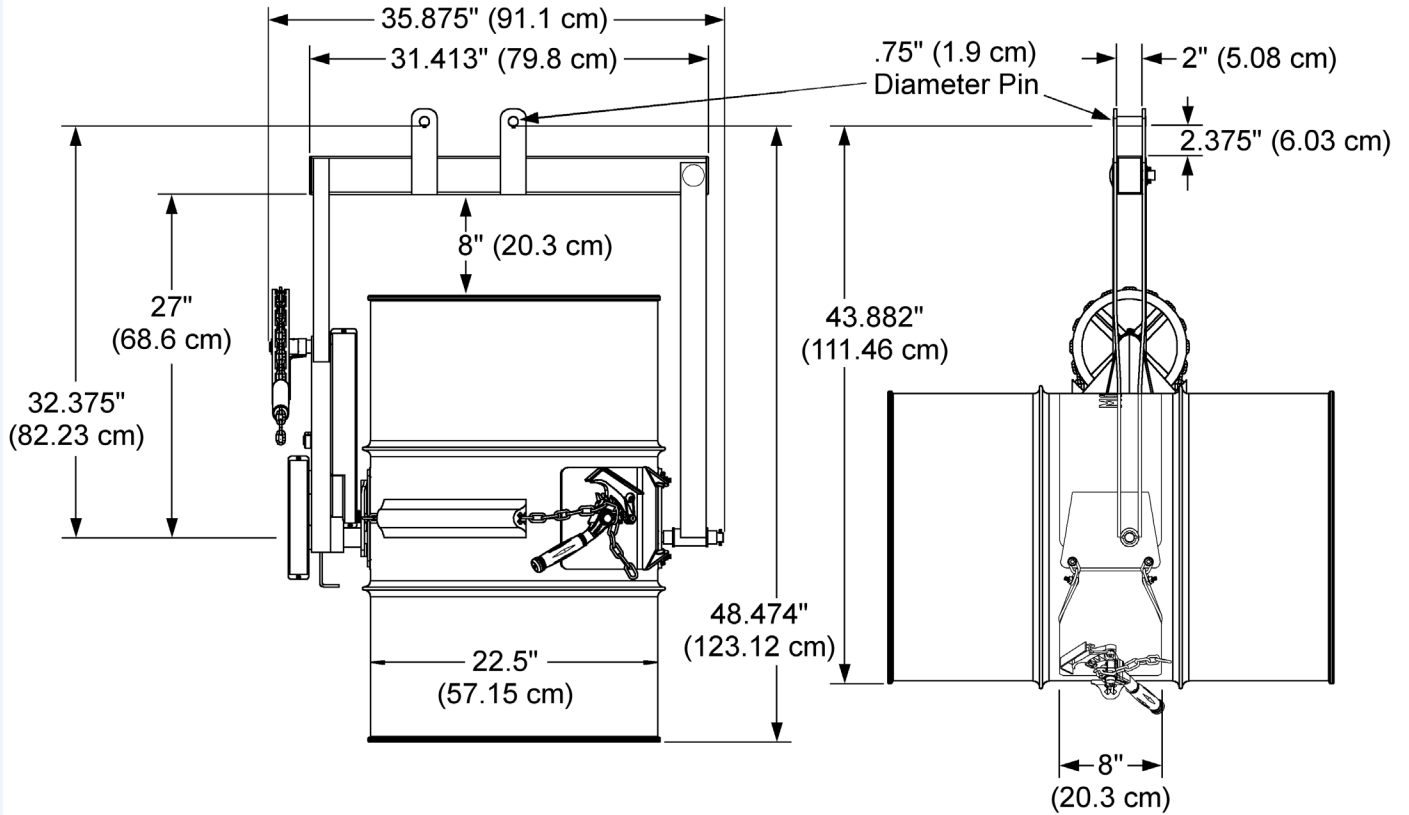
7. To control turning of your drum, pull down on one side of the pull chain loop while letting out the other.



8. To remove drum from your Heavy-Duty Kontrol-Karrier, turn the ratchet handle clockwise to relieve pressure on the ratchet teeth, lift pawl handle to release teeth engagement, then rotate the ratchet handle counter clockwise to loosen the chain and allow its removal from the slot on the ratchet handle.



Dimensions



NOTE: Standard loop of pull chain extends approximately six feet below the chain wheel

Custom Drum Handler



Custom model 185S-HD-FP handles drum completely below the forks or below-hook

Use with:

- **Walkie Stacker**
Requires 17-7/17" (44.3 cm) between forks
- **Forklift**
- **Crane or Hoist**
below-hook

