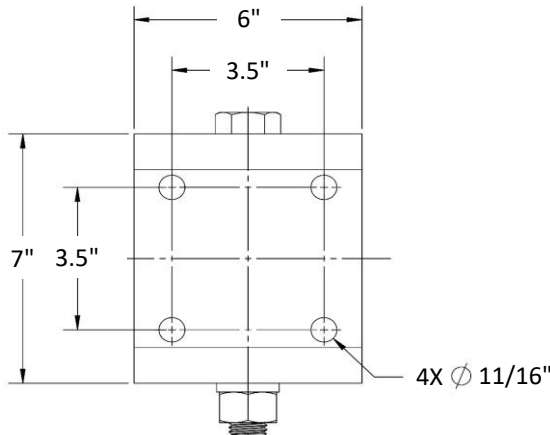
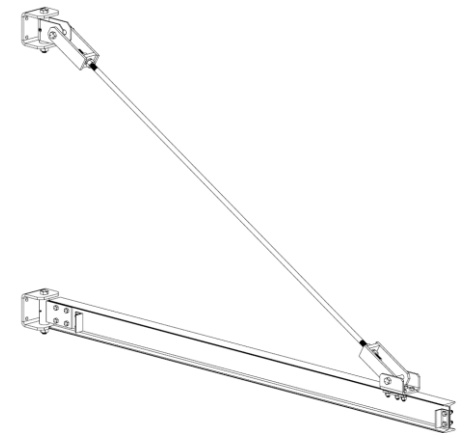
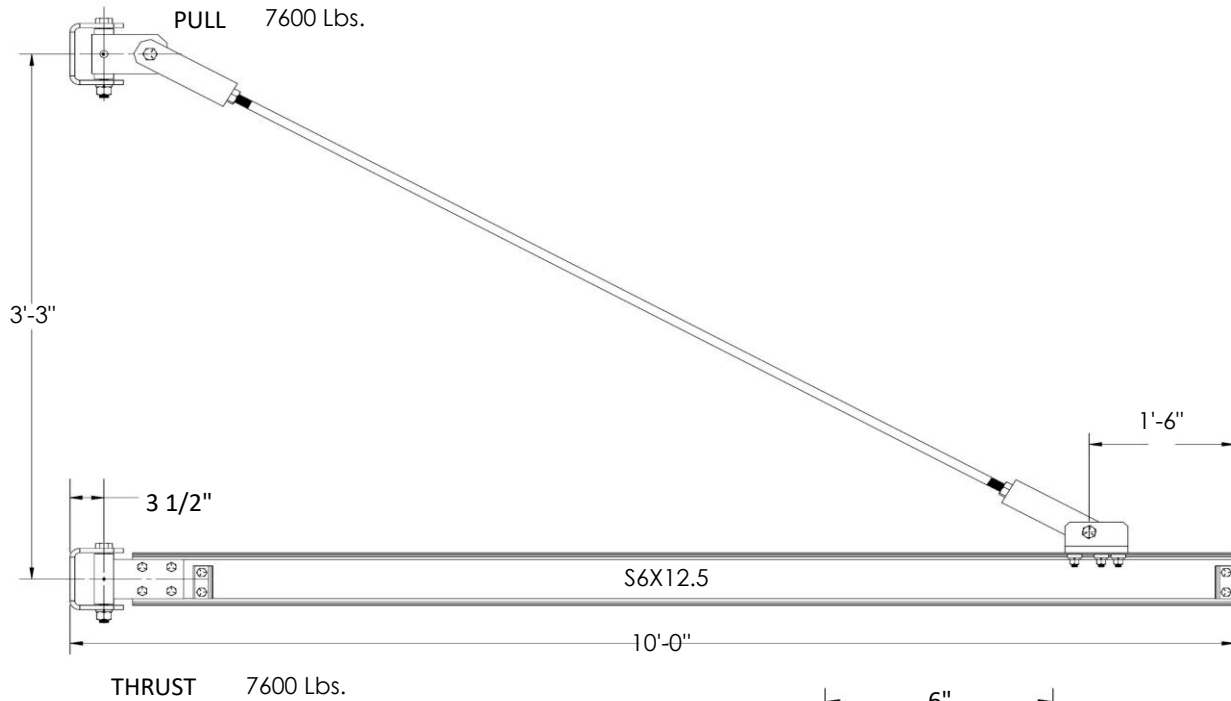


241590013-DW

CRANE SPECIFICATIONS:

CAPACITY: 2000 Lbs.
 SPAN: 10'-0"
 FITTING CENTERS: 3'-3"
 THRUST/PULL: 7600 Lbs.
 APPROX. WEIGHT: 240 Lbs.



DO NOT PRE-DRILL MOUNTING HOLES

NOTES

1. MOUNTING BOLTS TO BE PROVIDED BY OTHERS.
2. DO NOT SCALE FROM DRAWING.

PRELIMINARY QUOTE DRAWING - NOT TO SCALE

PROPRIETARY & CONFIDENTIAL

THE INFORMATION CONTAINED IN THIS DRAWING IS THE SOLE PROPERTY OF HANDLING SYSTEMS INTERNATIONAL, INC. ANY REPRODUCTION IN PART OR AS A WHOLE WITHOUT THE WRITTEN PERMISSION OF HANDLING SYSTEMS INTERNATIONAL, INC. IS PROHIBITED.



WALL BRACKET TIE ROD JIB CRANE

MODEL: 311-2000-10

DO NOT SCALE FROM DRAWING

TOLERANCES:

DECIMALS (UNLESS OTHERWISE SPECIFIED) - TWO PLACE (.00) +/- .015 - THREE (.000) +/- .005 ANGLES +/- 30 MINUTES - ALL DIMENSIONS ARE IN INCHES UNLESS OTHERWISE SPECIFIED.