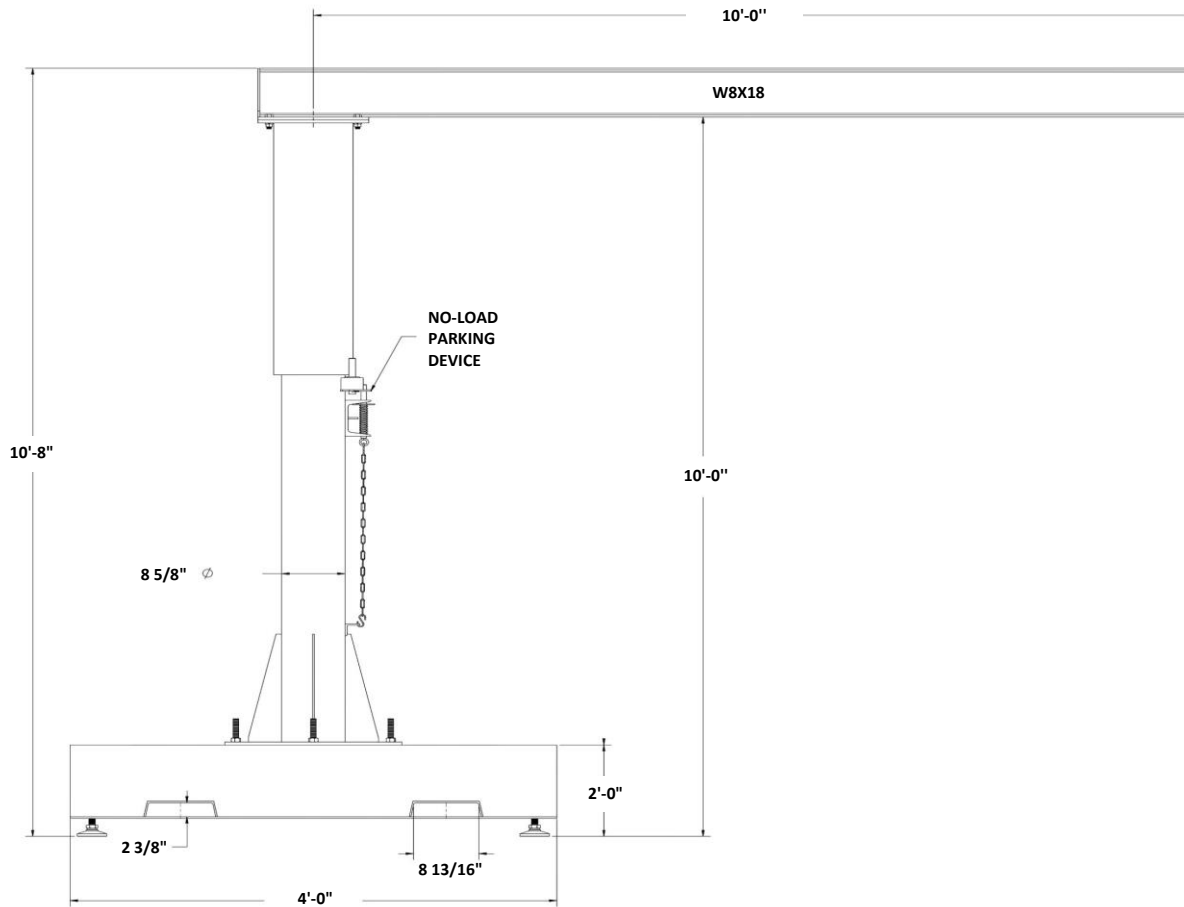
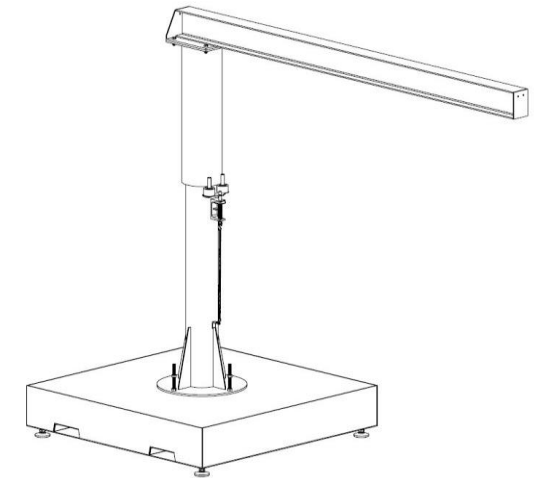


241590017-DW

CRANE SPECIFICATIONS:

CAPACITY: **500 Lbs.**
 SPAN: **10'-0"**
 HEIGHT UNDER BOOM: **10'-0"**
 MAX HOIST SPEED: **16 FPM**



PRELIMINARY QUOTE DRAWING

<p>PROPRIETARY & CONFIDENTIAL</p> <p>THE INFORMATION CONTAINED IN THIS DRAWING IS THE SOLE PROPERTY OF HANDLING SYSTEMS INTERNATIONAL, INC. ANY REPRODUCTION IN PART OR AS A WHOLE WITHOUT THE WRITTEN PERMISSION OF HANDLING SYSTEMS INTERNATIONAL, INC. IS PROHIBITED.</p>		
	<p>Medium Duty Portable Jib Crane</p>	
<p>MODEL: 350P-J-500-10-10</p>	<p>DO NOT SCALE FROM DRAWING</p>	
<p>TOLERANCES: DECIMALS (UNLESS OTHERWISE SPECIFIED) - TWO PLACE (.00) + / - .015 - THREE (.000) + / - .005 ANGLES +/- 30 MINUTES - ALL DIMENSIONS ARE IN INCHES UNLESS OTHERWISE SPECIFIED.</p>		