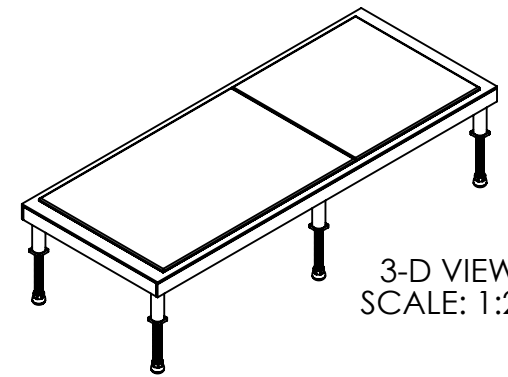
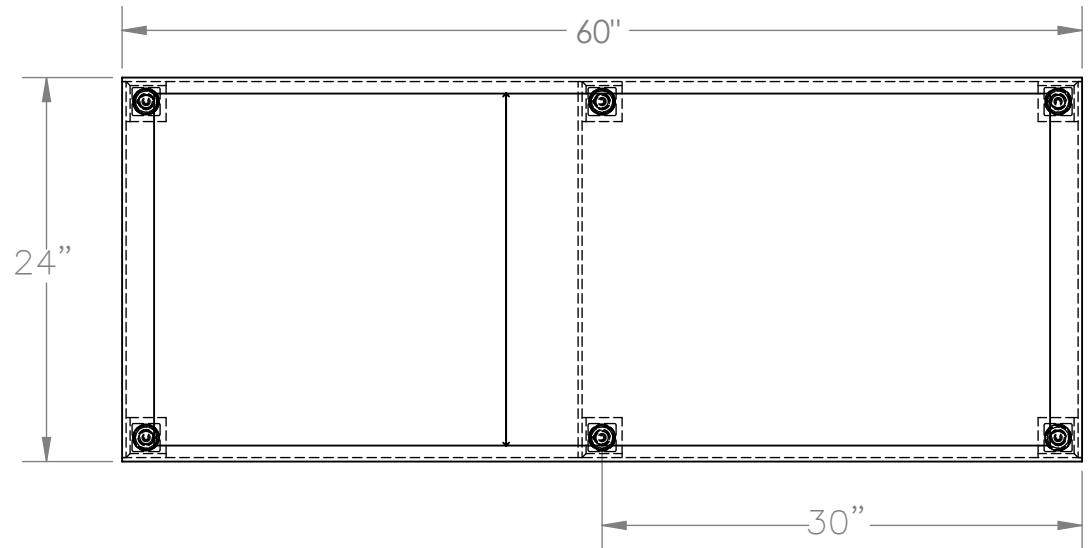


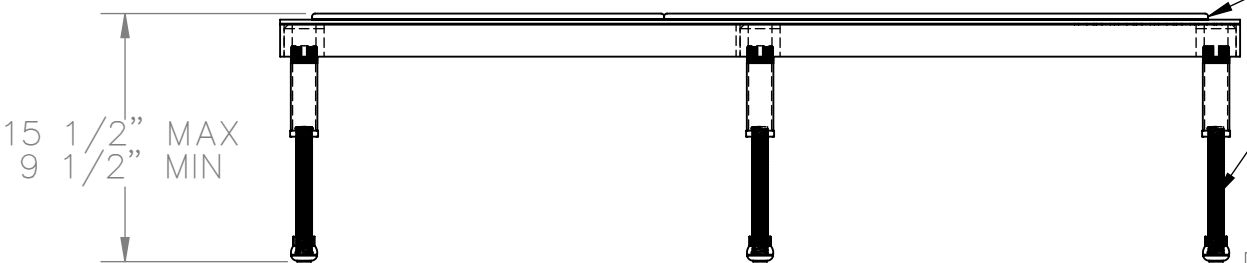
# ADJUSTABLE WORK-MATE STAND, ALUMINUM - AHT-H-2460-A

APPROX WEIGHT: 84.47f lbs.  
 DOES NOT INCLUDE WEIGHT OF POWER OR PACKAGING!!!

\*\*\* ANY ADDITIONS, DELETIONS, OR OMISSIONS MUST BE CORRECTED ON THIS DRAWING AS THIS DRAWING WILL BE CONSIDERED ALL INCLUSIVE \*\*\*  
 ALL GRAPHICS PROVIDED ARE FOR REFERENCE ONLY. IF CERTAIN DIMENSIONS ARE CRITICAL PLEASE VERIFY THOSE DIMENSIONS WITH YOUR SALESPERSON



3-D VIEW  
 SCALE: 1:24



ERGO-MATting DECK  
 (MAT SIZE 22" x 56")

HEIGHT ADJUSTED BY  
 ROTATING THREADED LEGS  
 (SHOWN AT MAX HEIGHT)

DIMENSION TOLERANCE ± 1/4"

## STANDARD FEATURES

- MODEL NUMBER : AHT-H-2460-A
- CAPACITY: 500 LBS.
- DECK WIDTH: 24"
- DECK LENGTH: 60"
- RAISED HEIGHT: 15 1/2"
- LOWERED HEIGHT: 9 1/2"
- ALUMINUM PLATFORM WITH POWDER COATED STEEL LEGS
- ERGO MATting IS BLUE

## SPECIAL FEATURES

NONE

FOR INTERNAL USE ONLY PROJECT SIGN OFF	
SALES	
ENG.	
FAB.	
POWER	

**APPROVAL**

I, THE UNDERSIGNED, AGREE THAT THE PRODUCT AS REPRESENTED SATISFIES DESIGN AND DIMENSION REQUIREMENTS. I ALSO ACKNOWLEDGE MY DUTY TO CONFIRM PRODUCT AND INSTALLATION COMPLIANCE WITH ALL APPLICABLE FEDERAL, STATE AND LOCAL REGULATIONS AND STANDARDS.

**ANY MODIFIED UNITS ARE NON-RETURNABLE**

As drawn       As marked

Signed: \_\_\_\_\_ Date: \_\_\_\_\_

Printed Name: \_\_\_\_\_

*LEAD TIME WILL START UPON RECEIPT OF SIGNED APPROVAL DRAWING*

DISTRIBUTOR'S NAME:		P.O.#
VESTIL MANUFACTURING		X
DRAWN BY: MTS	DATE: 10/13/14	W.O.#
REFERENCE: X	SCALE: 1:12	X
QUOTED LEAD TIME: X	QUOTE #	FILE NAME:
	X	14-007-285