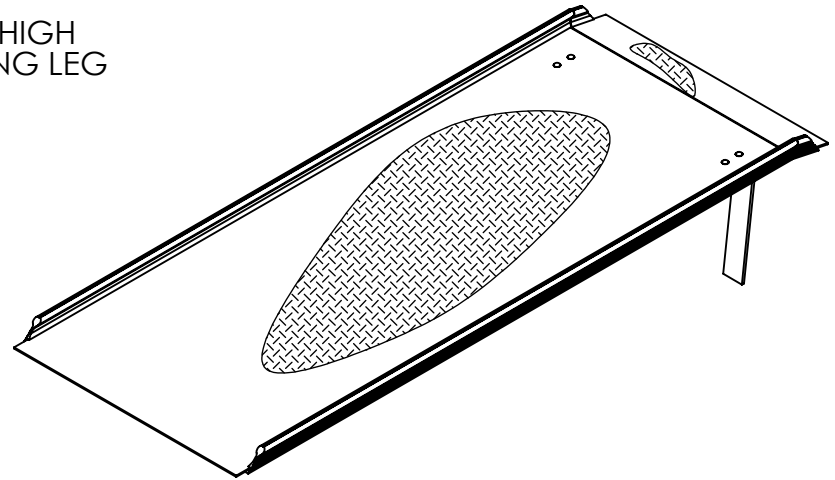
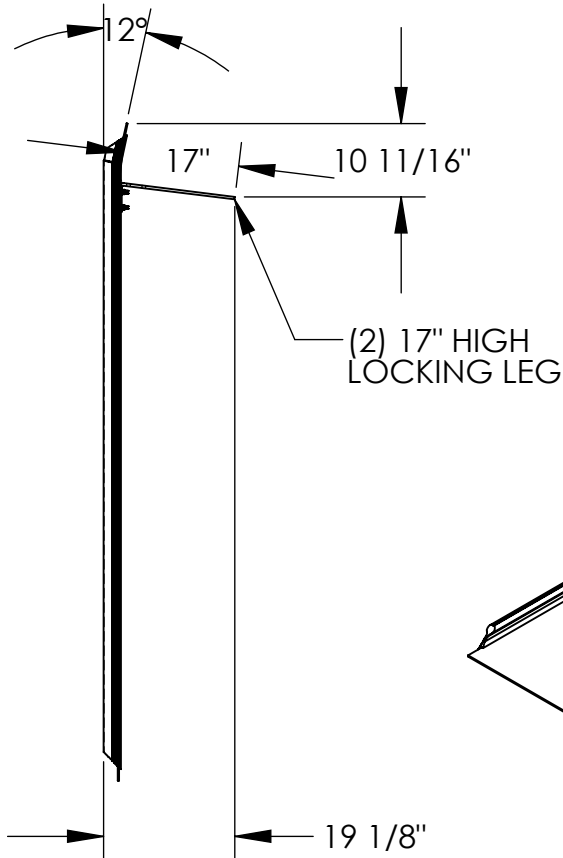
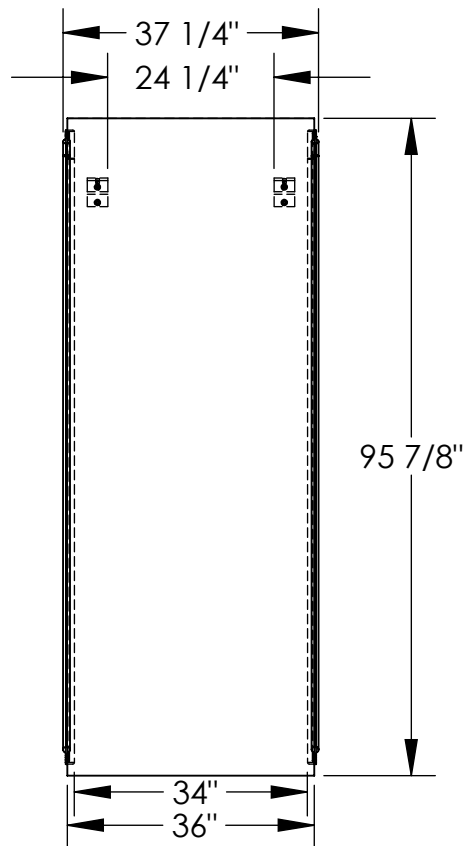


ALUMINUM HAND TRUCK DOCKBOARDS - AHTD-3696

APPROX WEIGHT: 100.87 lbs.
 DOES NOT INCLUDE WEIGHT OF POWER OR PACKAGING!!!

*** ANY ADDITIONS, DELETIONS, OR OMISSIONS MUST BE CORRECTED ON THIS DRAWING AS THIS DRAWING WILL BE CONSIDERED ALL INCLUSIVE ***

ALL GRAPHICS PROVIDED ARE FOR REFERENCE ONLY. IF CERTAIN DIMENSIONS ARE CRITICAL PLEASE VERIFY THOSE DIMENSIONS WITH YOUR SALESPERSON



DIMENSION TOLERANCE $\pm 1/4$ "

STANDARD FEATURES

- MODEL NUMBER: AHTD-3696
- CAPACITY: 800 LBS
- OVERALL WIDTH: 37 1/4"
- OVERALL LENGTH: 95 7/8"
- MAX HEIGHT DIFFERENTIAL: 19"
- USABLE WIDTH: 34"
- BRACKET LEG LENGTH: 17"
- EQUIPPED WITH BOLTED LOCKING LEGS
- FULL LENGTH ALUMINUM CURBS
- WELDED ALUMINUM DIAMOND TREAD SURFACE AND BEVELED EDGES

SPECIAL FEATURES

NONE

APPROVAL	I, THE UNDERSIGNED, AGREE THAT THE PRODUCT AS REPRESENTED SATISFIES DESIGN AND DIMENSION REQUIREMENTS. I ALSO ACKNOWLEDGE MY DUTY TO CONFIRM PRODUCT AND INSTALLATION COMPLIANCE WITH ALL APPLICABLE FEDERAL, STATE AND LOCAL REGULATIONS AND STANDARDS.	
	ANY MODIFIED UNITS ARE NON-RETURNABLE	
	[] As drawn [] As marked	
	Signed: _____	Date: _____
Printed Name: _____		
<i>LEAD TIME WILL START UPON RECEIPT OF SIGNED APPROVAL DRAWING</i>		

FOR INTERNAL USE ONLY PROJECT SIGN OFF	
SALES	
ENG.	
FAB.	
POWER	

DISTRIBUTOR'S NAME:		P.O.#
VESTIL MANUFACTURING		X
DRAWN BY: ADL	DATE: 01/04/06	W.O.#
REFERENCE: X	SCALE: 1:28	X
QUOTED LEAD TIME: X	QUOTE #	FILE NAME:
	X	11-007-017