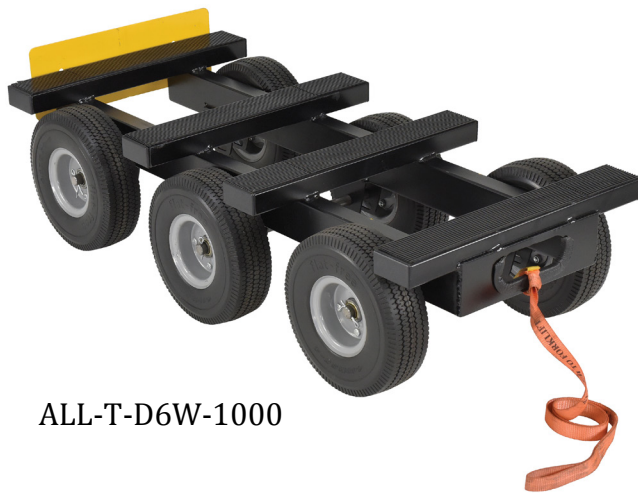




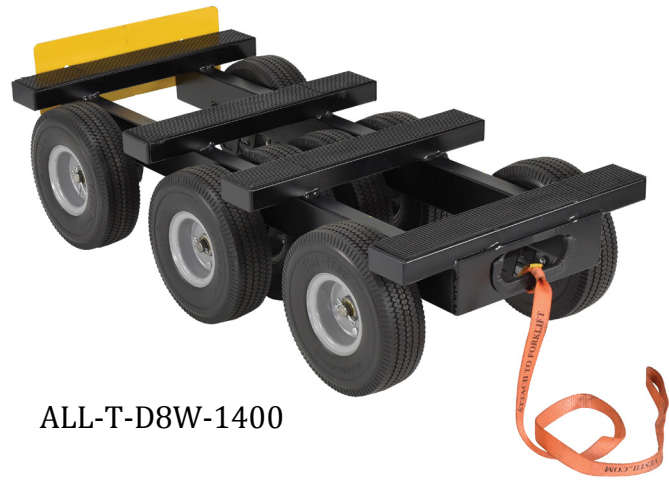
Vestil Manufacturing Corp.
 2999 North Wayne Street, P.O. Box 507, Angola, IN 46703
 Telephone: (260) 665-7586 -or- Toll Free (800) 348-0868
 Fax: (260) 665-1339
 Web: www.vestilmfg.com e-mail: info@vestil.com

ALL-T-D6W-1000

ALL-T-D8W-1400



ALL-T-D6W-1000



ALL-T-D8W-1400

Receiving Instructions

After delivery, remove the packaging from the product. Inspect the product closely to determine whether it sustained damage during transport. If damage is discovered, record a complete description of it on the bill of lading. If the product is undamaged, discard the packaging.

NOTE: The end-user is solely responsible for confirming that product design, use, and maintenance comply with laws, regulations, codes, and mandatory standards applied where the product is used.

Technical Service & Replacement Parts

For answers to questions not addressed in these instructions and to order replacement parts, labels, and accessories, call our Technical Service and Parts Department at (260) 665-7586. The Department can also be contacted online at <https://www.vestil.com/page-parts-request.php>.

Electronic Copies of Instruction Manuals

Additional copies of this instruction manual may be downloaded from <https://www.vestil.com/page-manuals.php>.

Table of Contents

	Page
Signal Words.....	2
Safety Instructions.....	2
Using the Product.....	2
Exploded View and Bill of Materials: ALL-T-D6W-1000.....	3
Exploded View and Bill of Materials: ALL-T-D8W-1400.....	4
Using the Product.....	5
Record of Satisfactory Condition.....	5
Inspections & Maintenance.....	5
Labeling Diagram.....	6
Limited Warranty.....	7

SIGNAL WORDS

This manual uses SIGNAL WORDS to indicate the likelihood that a particular action will cause personal injuries or property damage. Signal words also specify the level of seriousness of injury if the product is misused in the ways described.



Identifies a hazardous situation which, if not avoided, WILL result in DEATH or SERIOUS INJURY. Use of this signal word is limited to the most extreme situations.



Identifies a hazardous situation which, if not avoided, COULD result in DEATH or SERIOUS INJURY.



Indicates a hazardous situation which, if not avoided, COULD result in MINOR or MODERATE injury.



Identifies practices likely to result in product/property damage, such as operation that might damage the product.

SAFETY INSTRUCTIONS

Vestil strives to identify all foreseeable hazards associated with the use of its products. Material handling is dangerous and no manual can address every conceivable risk. Ultimately, the most effective way to prevent injury is to apply sound judgment whenever using this device.



Improper or careless use of this product could result in death or serious personal injuries.

- *Read and understand the entire manual before assembling, installing, using or servicing the product.* Read the manual to refresh your understanding of proper use and maintenance procedures.
- DO NOT service the product unless you are qualified to do so and certain that it will be safe to use afterwards. Only qualified personnel should inspect and maintain this product.
- DO NOT modify the product in any way UNLESS you first obtain written approval from Vestil. Unapproved modifications automatically void the **LIMITED WARRANTY** and might make the product unsafe to use.
- DO NOT exceed the capacity: 1) ALL-T-D6W-1000 = 1,000 LB. (454.5 KG); 2) ALL-T-D8W-1400 = 1,400 LB. (636.3 KG). Capacity information is provided on product labeling. See Label 1153 in the **LABELING DIAGRAM** on p. 6.
- DO inspect the product according to the instructions in **INSPECTIONS & MAINTENANCE**. DO NOT use the product unless it is in **SATISFACTORY CONDITION** when compared to the **RECORD** on p. 5.
- DO NOT use this device UNLESS all labels applied to the product are in place, readable, and undamaged. See **LABELING DIAGRAM**.
- DO NOT move unstable loads or loads that cause the dolly to roll, lift, or tip.
- DO secure loads to the dolly, e.g. with ratchet straps.
- DO NOT traverse sloped ground with the dolly unless it is unavoidable. If you cannot avoid traversing sloped ground, unload the dolly first and always remain uphill from the dolly. You should not even consider traversing sloped ground unless you can easily control the dolly during descent.
- DO load the dolly carefully. The retention plate (yellow) includes 2 slots that look like upside-down 7's. When bolts are at the tops of the slots, the retention plate is lowered. ONLY lower the plate if the load is longer than the dolly. Put plate up for all other loads. Rest loads against the retention plate.
- DO NOT presume that the dolly will stop quickly. The dolly does not have brakes. **GRADUALLY** slow down because momentum could cause the dolly or load to collide with the towing vehicle or the person pulling the dolly.
- DO stand to the side of the dolly while slowing when pulling the dolly by hand.

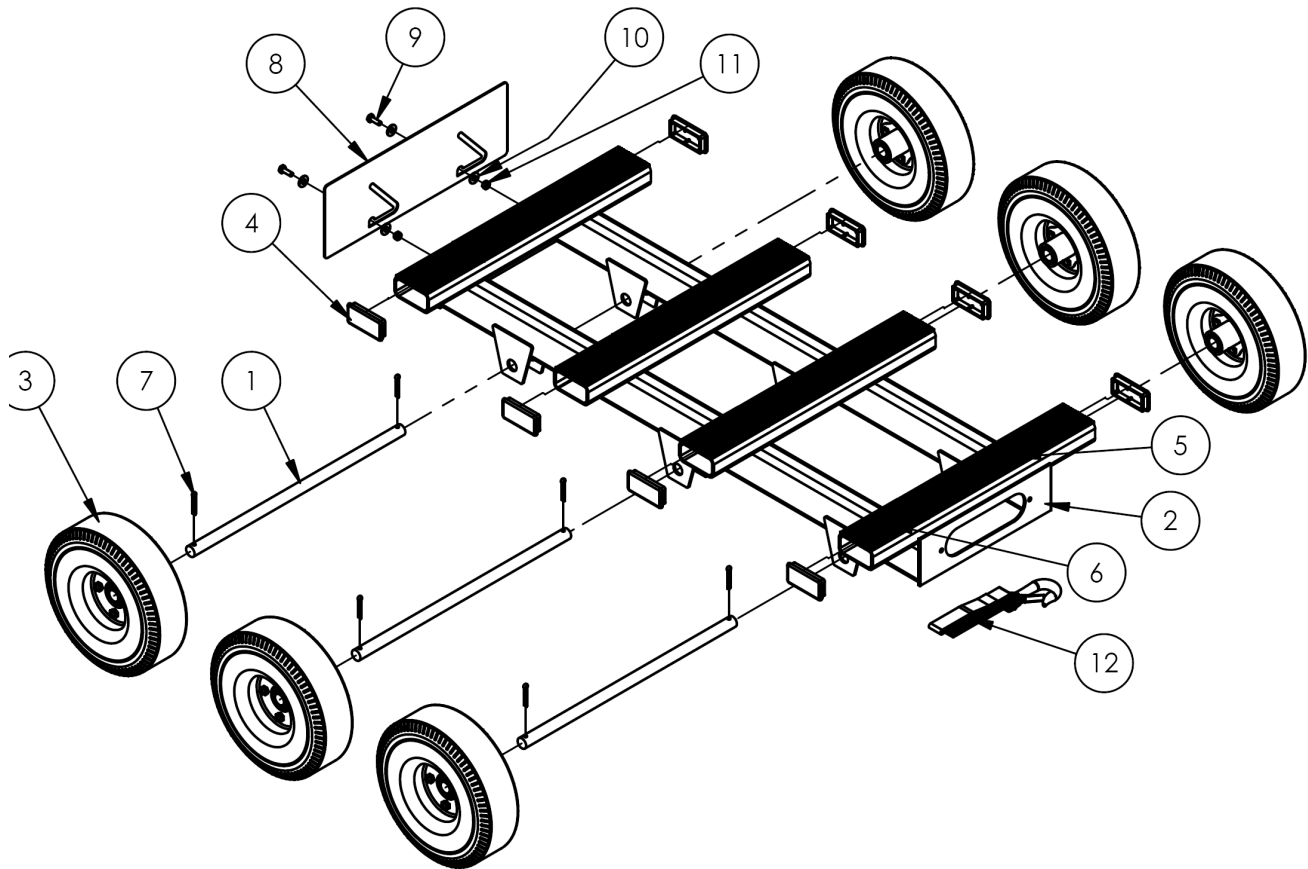


Proper use, maintenance, and storage are essential for this product to function properly.

- Always use this product in accordance with the instructions in this manual and consistent with any training relevant to machines, devices, etc. used in conjunction with this product.
- Keep the product clean & dry. Lubricate moving parts.

EXPLODED VIEW AND BILL OF MATERIALS – ALL-T-D6W-1000

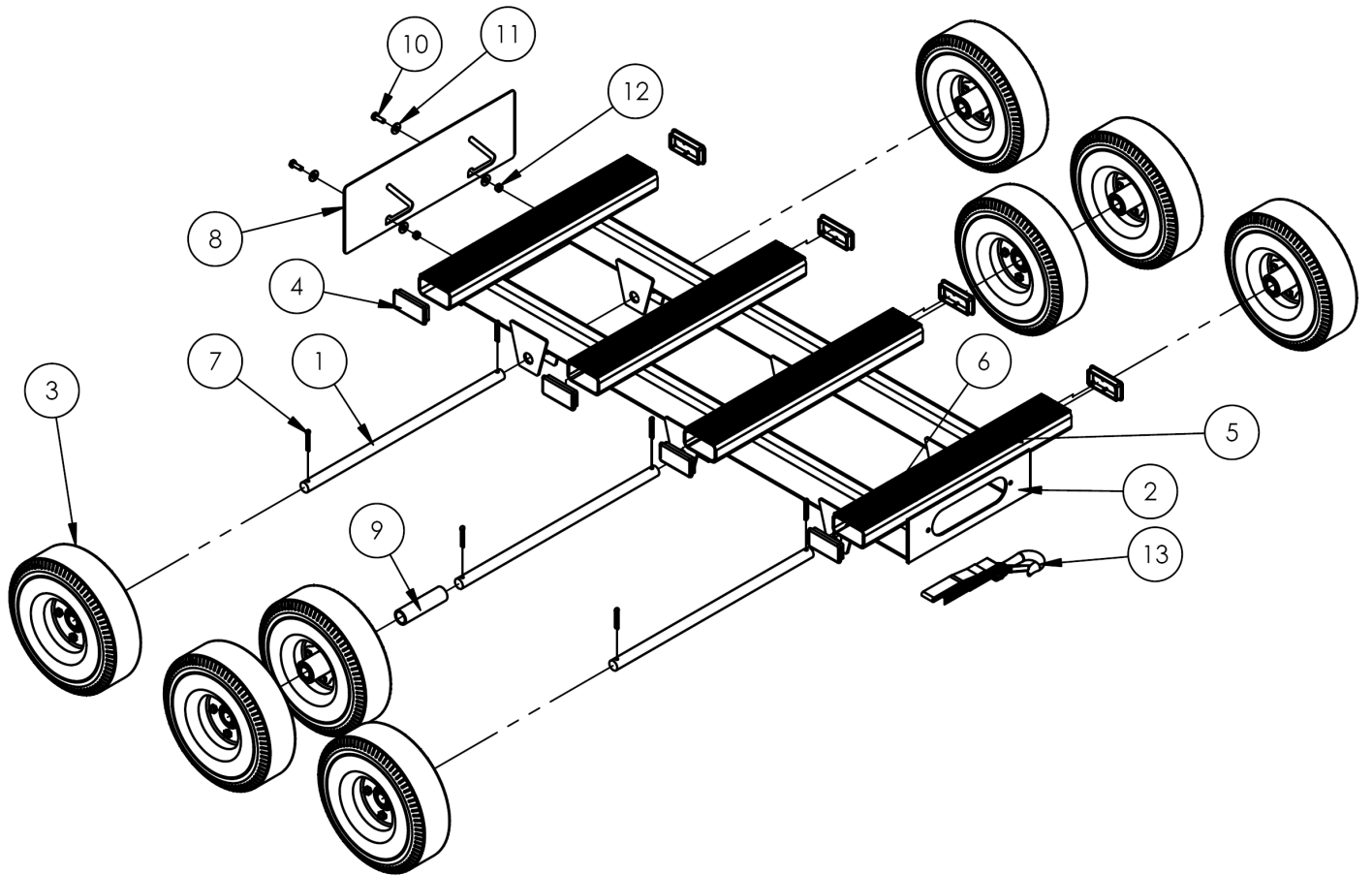
16-006-447



ITEM NO.	PART NO.	DESCRIPTION	QTY.
1	16-112-076	AXLE, 3/4"	3
2	16-514-314	WELDMENT, FRAME	1
3	16-132-240	WHEEL, 10", FOAM FILLED	6
4	21-024-021	CAP, RECTANGULAR GLIDE	8
5	16-147-001	RUBBER GRIP MATTING	4
6	16-147-002	RUBBER GRIP MATTING	4
7	65125	COTTER PIN Z PLATED, 3/16" X 1 1/2"	6
8	16-016-253	BRACKET, BLOCKER	1
9	11003	HEX BOLT, GRADE A, ZINC PLATED, 1/4"-20 X 3/4"	2
10	33004	FLAT WASHER, USS, ZINC PLATED, 1/4"	4
11	37018	NYLON LOCK NUT, GRADE 2, ZINC FINISH, 1/4"-20	2
12	08-145-028	FORK ATTACHMENT RESTRAINT STRAP	1

EXPLODED VIEW AND BILL OF MATERIALS – ALL-T-D8W-1400

16-006-448

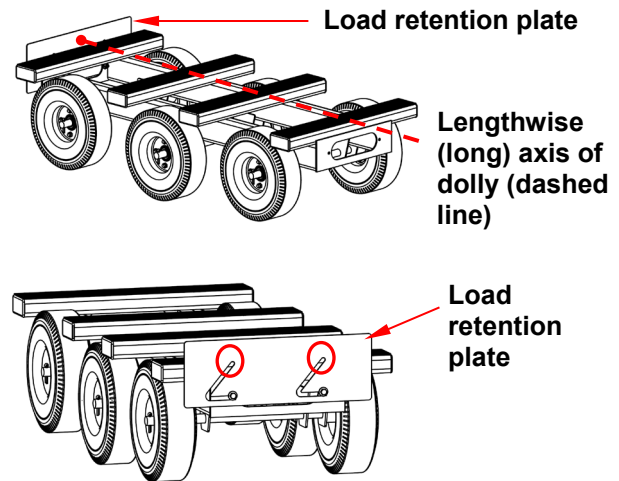


ITEM NO.	PART NO.	DESCRIPTION	QTY.
1	16-112-076	AXLE, 3/4"	3
2	16-514-314	WELDMENT, FRAME	1
3	16-132-240	WHEEL, 10', FOAM FILLED	8
4	21-024-021	CAP, RECTANGULAR GLIDE	8
5	16-147-001	RUBBER GRIP MATTING	4
6	16-147-002	RUBBER GRIP MATTING	4
7	65125	COTTER PIN Z PLATED, 3/16" X 1 1/2"	6
8	16-016-253	BRACKET, BLOCKER	1
9	16-014-530	FRAME, TUBE SPACER	1
10	11003	HEX BOLT, GRADE A, ZINC PLATED, 1/4-20 X 3/4"	2
11	33004	FLAT WASHER, USS, ZINC PLATED, 1/4"	4
12	37018	NYLON LOCK NUT, GRADE 2, ZINC FINISH, 1/4"-20	2
13	08-145-028	FORK ATTACHMENT RESTRAINT STRAP	1

USING THE PRODUCT

Apply a load to the dolly. Center the load on the lengthwise axis of the dolly. The dolly should contact the retention plate. Securing the load to the dolly, for example with ratchet straps, is strongly recommended.

The load retention plate can be lowered to allow the dolly to accommodate longer loads. To lower the plate, *loosen* (don't remove) the bolts. Then slide the plate to the right and then down and to the left. The bolts will then be at the tops of the slots (circled). Tighten the bolts. Loads that are longer than the dolly *must* be strapped to the frame.



Loads applied to the dolly should not cause the dolly to tilt to either side. The dolly should not tilt/tip forward or backward while loaded. Move the dolly slowly and carefully either by manually pushing the dolly, or by attaching the nylon strap to a tow vehicle. **The dolly does not have brakes! It cannot stop quickly but will continue to roll forward after motive force is discontinued.** For instance, if a powered vehicle is used to tow the dolly, brake slowly and gradually because the dolly will continue to roll forward. The dolly might run into the back of the vehicle if it stops suddenly.

RECORD OF SATISFACTORY CONDITION (THE “RECORD”)

After the unit is assembled and/or installed, make a detailed record of its condition. Include observations about all features: retention plate, welds, frame elements, especially features in contact with the ground, fasteners (bolts, nuts, washers, etc.) and wheels. Thoroughly photograph the unit from multiple angles so that all features are clearly imaged. Photograph all labels applied to the product. Describe where each label is located. Collect all photographs and writings into a single file. This file is a record of the product in **satisfactory condition**.

INSPECTIONS AND MAINTENANCE

Compare inspection results to the **RECORD**. Do not continue to use the product unless every component is in **SATISFACTORY CONDITION**. Cosmetic changes, like damaged paint/powder coat do not constitute changes from satisfactory condition. However, touchup paint should be applied to all affected areas as soon as damage occurs. Contact **TECHNICAL SERVICE** to order replacement parts. Contact information is provided on the cover page of this manual.

Inspect the following at least once per month:

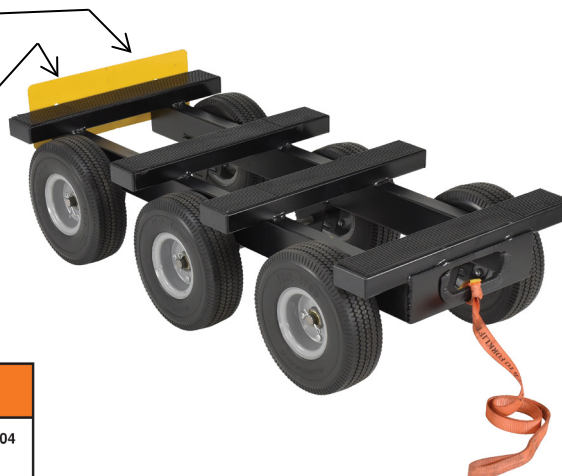
1. Surfaces – Check all surfaces of the product for dirt or other matter, especially fluids. Clean the surfaces of the stand.
2. Hardware, fasteners – Examine hardware & fasteners (anchor bolts and sleeves, bolts, nuts, pins, & clips). Replace damaged/worn hardware.
3. Examine the frame for wear, breaks, corrosion/rust, metal fatigue, and other forms of damage (e.g. impact damage).
4. Labels– Replace labels that are damaged or not easily readable from a reasonable distance.
5. Overall structure – Examine the whole structure for rusting or metal erosion, rot, thinned regions. In particular, examine pivot points, and ground-contacting elements. If rusting is purely superficial, remove the rust/corrosion. Clean the affected area and apply touchup paint. If rusting, rot, or thinning has weakened the material, contact **TECHNICAL SERVICE** for advice.

LABELING DIAGRAM

Label content and locations are subject to change so your product might not be labeled exactly as shown. Compare this diagram to the [RECORD](#). If differences exist between the diagram and the [RECORD](#), contact [TECHNICAL SERVICE](#). Replace all labels that are damaged, missing, or not easily readable (e.g. faded). To order replacement labels, contact the technical service and parts department online at http://www.vestilmfg.com/parts_info.htm. Alternatively, you may request replacement parts and/or service by calling (260) 665-7586 and asking the operator to connect you to the [PARTS DEPARTMENT](#).

LABEL 1153
Applied to retention plate

MODEL / MODÉLO / MODÈLE _____
WEIGHT / PESO / MASS _____
CAPACITY / CAPACIDAD / CAPACITÉ _____
SERIAL / SERIE / SÉRIE _____
UNITS: 2.2 lb. = 1kg 1" (or 1in.) = 2.54cm 1153



LABEL 1104
Applied to retention plate

⚠ WARNING	
Serious personal injury could result if this product is used improperly.	1104
<ul style="list-style-type: none"> • Do not exceed dolly capacity. Uniformly distribute loads on dolly. • Do not move unstable loads or loads that cause dolly to roll or tip. Secure load to dolly, e.g. with ratchet straps. • Retention plate (yellow) has 2 slots. Slots look like upside-down 7's. When bolts in tops of slots, retention plate is lowered. Only lower plate if load longer than dolly. Put plate up for all other loads. Rest load against plate. • Dolly does NOT have brakes. <ul style="list-style-type: none"> i. Gradually slow down. Momentum might cause dolly/load to collide with tow vehicle or person pulling dolly. ii. If pulling dolly by hand, stand to side of dolly when slowing iii. Always remain upslope from dolly whenever traversing non-level terrain. 	



LIMITED WARRANTY

Vestil Manufacturing Corporation (“Vestil”) warrants this product to be free of defects in material and workmanship during the warranty period. Our warranty obligation is to provide a replacement for a defective, original part covered by the warranty after we receive a proper request from the Warrantee (you) for warranty service.

Who may request service?

Only a warrantee may request service. You are a warrantee if you purchased the product from Vestil or from an authorized distributor AND Vestil has been fully paid.

Definition of “original part”?

An original part is a part used to make the product as shipped to the Warrantee.

What is a “proper request”?

A request for warranty service is proper if Vestil receives: 1) a photocopy of the Customer Invoice that displays the shipping date; AND 2) a written request for warranty service including your name and phone number. Send requests by one of the following methods:

<u>US Mail</u>	<u>Fax</u>	<u>Email</u>
Vestil Manufacturing Corporation 2999 North Wayne Street, PO Box 507 Angola, IN 46703	(260) 665-1339 <u>Phone</u> (260) 665-7586	info@vestil.com Enter “Warranty service request” in subject field.

In the written request, list the parts believed to be defective and include the address where replacements should be delivered. After Vestil receives your request for warranty service, an authorized representative will contact you to determine whether your claim is covered by the warranty. Before providing warranty service, Vestil will require you to send the entire product, or just the defective part (or parts), to its facility in Angola, IN.

What is covered under the warranty?

The warranty covers defects in the following original, dynamic parts: motors, hydraulic pumps, motor controllers, and cylinders. It also covers defects in original parts that wear under normal usage conditions (“wearing parts”), such as bearings, hoses, wheels, seals, brushes, and batteries.

How long is the warranty period?

The warranty period for original dynamic components is 90 days. For wearing parts, the warranty period is 90 days. Both warranty periods begin on the date Vestil ships the product to the Warrantee. If the product was purchased from an authorized distributor, the periods begin when the distributor ships the product. Vestil may, at its sole discretion, extend a warranty period for products shipped from authorized distributors by up to 30 days to account for shipping time.

If a defective part is covered by the warranty, what will Vestil do to correct the problem?

Vestil will provide an appropriate replacement for any *covered* part. An authorized representative of Vestil will contact you to discuss your claim.

What is not covered by the warranty?

The Warrantee (you) are responsible for paying labor costs and freight costs to return the product to Vestil for warranty service.

Events that automatically void this Limited Warranty.

- Misuse;
- Negligent assembly, installation, operation or repair;
- Installation/use in corrosive environments;
- Inadequate or improper maintenance;
- Damage sustained during shipping;
- Collisions or other accidents that damage the product;
- Unauthorized modifications: Do not modify the product IN ANY WAY without first receiving written authorization from Vestil.

Do any other warranties apply to the product?

Vestil Manufacturing Corp. makes no other express warranties. All implied warranties are disclaimed to the extent allowed by law. Any implied warranty not disclaimed is limited in scope to the terms of this Limited Warranty. Vestil makes no warranty or representation that this product complies with any state or local design, performance, or safety code or standard. Noncompliance with any such code or standard is not a defect in material or workmanship.