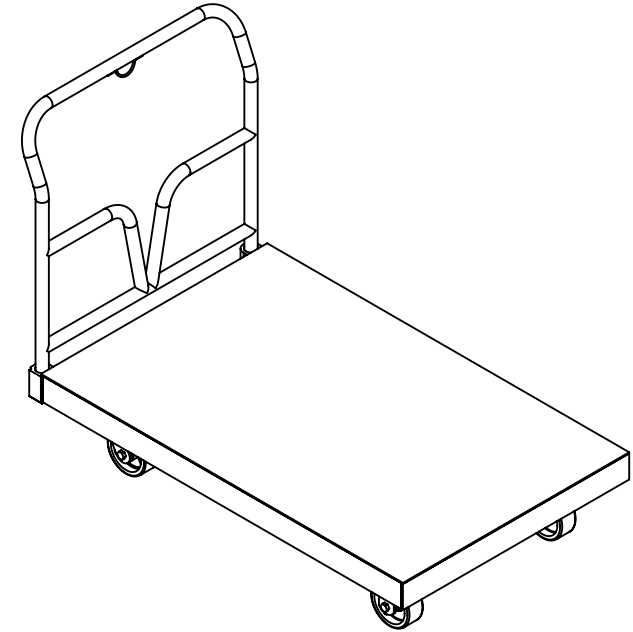
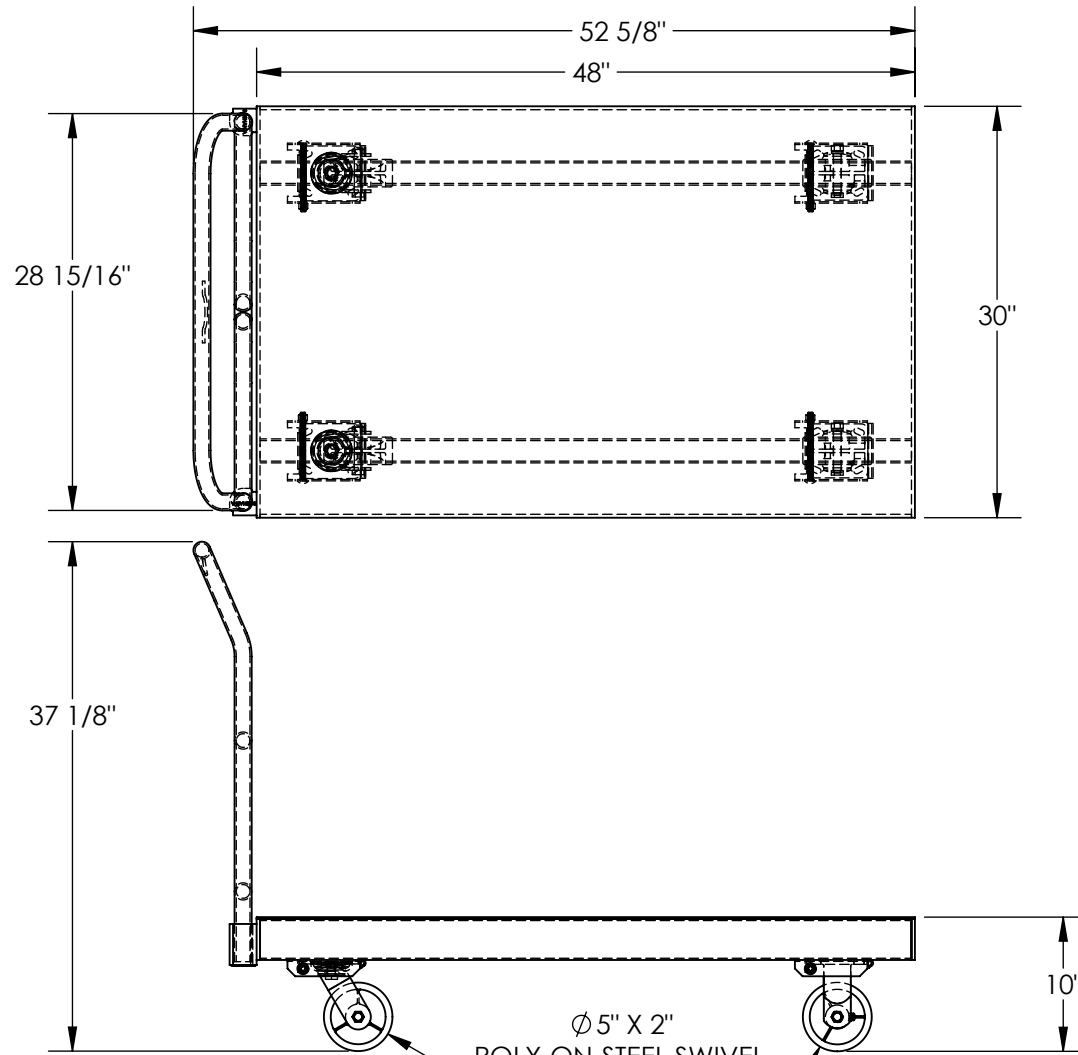


ALUMINUM SHEET DECK PLATFORM TRUCK - ASD-3048

APPROX WEIGHT: 83 lbs.
 DOES NOT INCLUDE WEIGHT OF POWER OR PACKAGING!!!

*** ANY ADDITIONS, DELETIONS, OR OMISSIONS MUST BE CORRECTED ON THIS DRAWING AS THIS DRAWING WILL BE CONSIDERED ALL INCLUSIVE ***

ALL GRAPHICS PROVIDED ARE FOR REFERENCE ONLY. IF CERTAIN DIMENSIONS ARE CRITICAL PLEASE VERIFY THOSE DIMENSIONS WITH YOUR SALESPERSON



STANDARD FEATURES

- MODEL NUMBER IS ASD-3048
- CAPACITY IS 3,600 LBS.
- DECK WIDTH IS 30 INCHES
- DECK LENGTH IS 48 INCHES
- PLATFORM HEIGHT IS 10 INCHES
- POLY ON STEEL CASTERS
 - 2 - 5 x 2 RIGID
 - 2 - 5 x 2 SWIVEL
- HANDLE WIDTH IS 28 15/16 INCHES
- WELDED ALUMINUM CONSTRUCTION
- REMOVABLE HANDLE
- SMOOTH ALUMINUM SHEET DECK SURFACE

Ø 5" X 2"
POLY-ON-STEEL SWIVEL
CASTERS

Ø 5" X 2"
POLY-ON-STEEL RIGID
CASTERS

FOR INTERNAL USE ONLY PROJECT SIGN OFF	
SALES	
ENG.	
FAB.	
POWER	

SPECIAL FEATURES
NONE

APPROVAL

I, THE UNDERSIGNED, AGREE THAT THE PRODUCT AS REPRESENTED SATISFIES DESIGN AND DIMENSION REQUIREMENTS. I ALSO ACKNOWLEDGE MY DUTY TO CONFIRM PRODUCT AND INSTALLATION COMPLIANCE WITH ALL APPLICABLE FEDERAL, STATE AND LOCAL REGULATIONS AND STANDARDS.

ALL SPECIAL UNITS ARE NON-RETURNABLE

[] As drawn [] As marked

Signed: _____ Date: _____

LEAD TIME WILL START UPON RECEIPT OF SIGNED APPROVAL DRAWING

DISTRIBUTOR'S NAME:		P.O.#
VESTIL MANUFACTURING		X
DRAWN BY: CA		DATE: 07/25/2011
REFERENCE: X		SCALE: 1:14
QUOTED LEAD TIME: X		QUOTE # X
		FILE NAME: 33-007-034-001