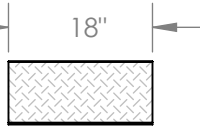
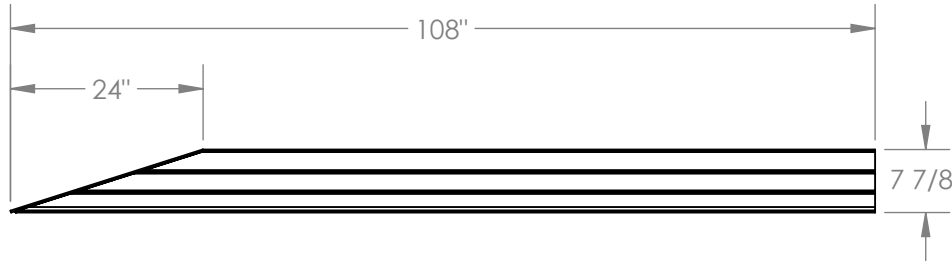
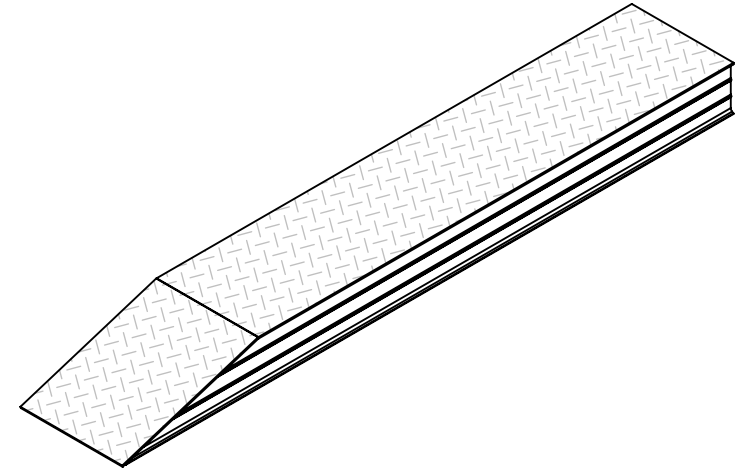
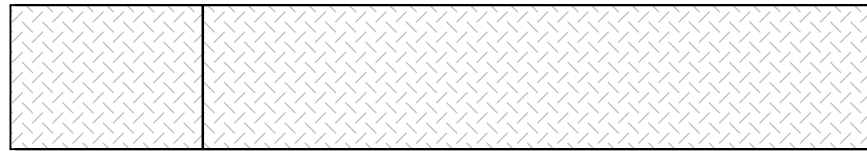


# ALUMINUM WHEEL RISER - ATWR-18-8-108

APPROX WEIGHT: 113.66 lbs.  
 DOES NOT INCLUDE WEIGHT OF POWER OR PACKAGING!!!

\*\*\* ANY ADDITIONS, DELETIONS, OR OMISSIONS MUST BE CORRECTED ON THIS DRAWING AS THIS DRAWING WILL BE CONSIDERED ALL INCLUSIVE \*\*\*

ALL GRAPHICS PROVIDED ARE FOR REFERENCE ONLY. IF CERTAIN DIMENSIONS ARE CRITICAL PLEASE VERIFY THOSE DIMENSIONS WITH YOUR SALESPERSON



DIMENSION TOLERANCE ± 1/4"

## STANDARD FEATURES

- MODEL NUMBER IS ATWR-18-8-108
- OVERALL WIDTH IS 18"
- OVERALL LENGTH IS 108"
- OVERALL HEIGHT IS 7 7/8"
- ANGLED APPROACH LENGTH IS 24"
- MAX UNIFORM CAPACITY IS 30,000 LBS PER PAIR (SOLD EACH)
- ALL WELDED ALUMINUM CONSTRUCTION
- HEAVY DUTY ALUMINUM TREAD PLATE TOP SURFACES

## SPECIAL FEATURES

NONE

<b>A P P R O V A L</b>	I, THE UNDERSIGNED, AGREE THAT THE PRODUCT AS REPRESENTED SATISFIES DESIGN AND DIMENSION REQUIREMENTS. I ALSO ACKNOWLEDGE MY DUTY TO CONFIRM PRODUCT AND INSTALLATION COMPLIANCE WITH ALL APPLICABLE FEDERAL, STATE AND LOCAL REGULATIONS AND STANDARDS.	
	<b>ANY MODIFIED UNITS ARE NON-RETURNABLE</b>	
	[ ] As drawn      [ ] As marked	
	Signed: _____ Date: _____	
Printed Name: _____		
<b>LEAD TIME WILL START UPON RECEIPT OF SIGNED APPROVAL DRAWING</b>		

FOR INTERNAL USE ONLY PROJECT SIGN OFF	
SALES	
ENG.	
FAB.	
POWER	

DISTRIBUTOR'S NAME:		P.O.#
VESTIL MANUFACTURING		X
DRAWN BY:	DATE:	W.O.#
MTS	9/24/13	X
REFERENCE:	SCALE:	SALES:
X	1:24	X
QUOTED LEAD TIME:	QUOTE #	FILE NAME:
X	X	18-007-149