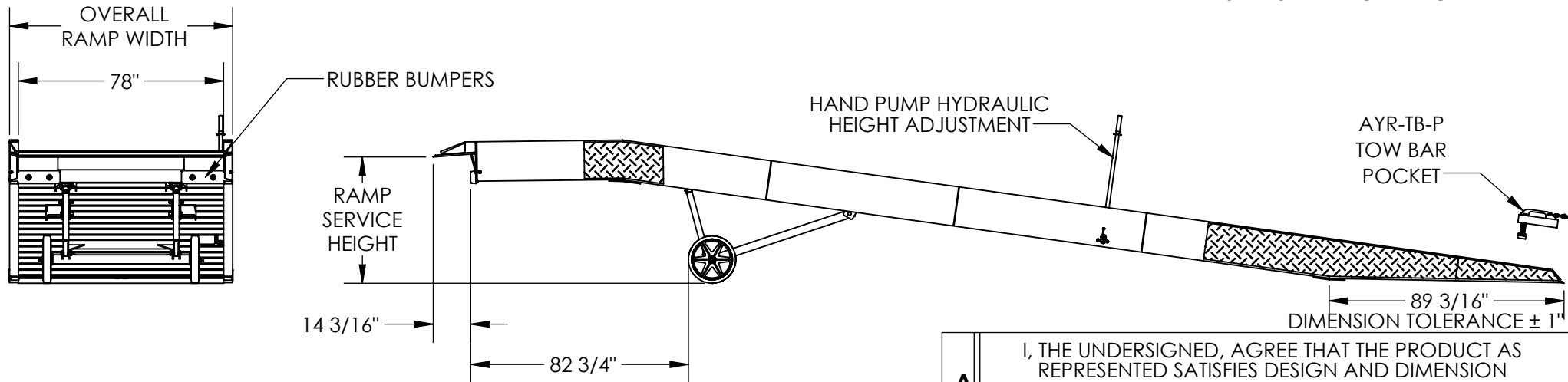
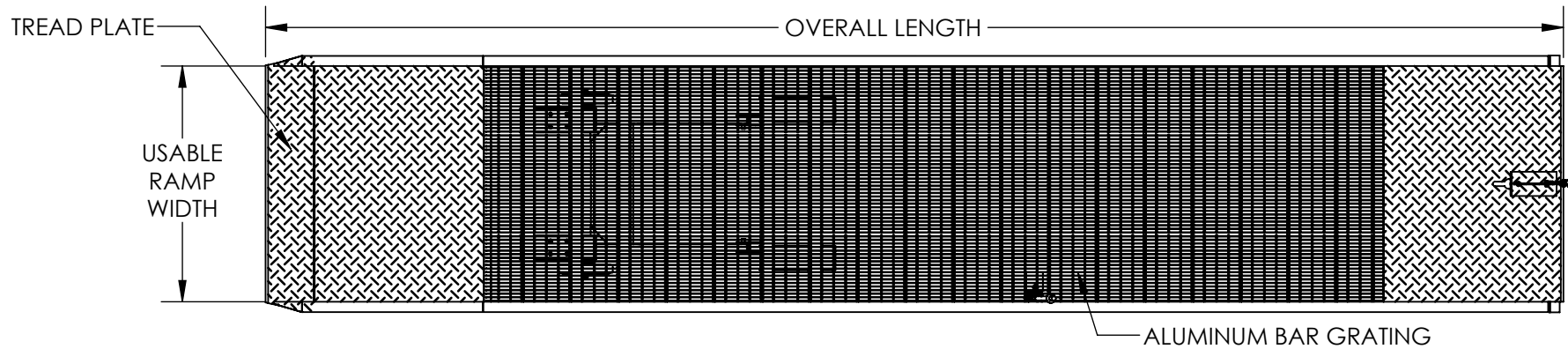


YARD RAMP - AY-208436-L

APPROX WEIGHT: 3475.75 lbs.
DOES NOT INCLUDE WEIGHT OF POWER OR PACKAGING!!!

*** ANY ADDITIONS, DELETIONS, OR OMISSIONS MUST BE CORRECTED ON THIS DRAWING AS THIS DRAWING WILL BE CONSIDERED ALL INCLUSIVE ***

ALL GRAPHICS PROVIDED ARE FOR REFERENCE ONLY. IF CERTAIN DIMENSIONS ARE CRITICAL PLEASE VERIFY THOSE DIMENSIONS WITH YOUR SALESPERSON



STANDARD FEATURES

- MODEL NUMBER IS AY-208436-L
- OVERALL RAMP WIDTH IS 86 INCHES
- USABLE RAMP WIDTH IS 78 INCHES
- OVERALL RAMP LENGTH IS 36 FEET
- RAMP SERVICE HEIGHT IS 45 INCHES TO 62 INCHES
- RAMP CAPACITY IS 20,000 LBS.
- 4" HIGH SAFETY CURBS WITH SLOPED ENDS
- SAFETY CHAIN STANDARD (NOT SHOWN)
- 13 1/2" USABLE LIP SUPPORT EDGE
- 18" MOLDED-ON-RUBBER WHEELS
- AYR-TB-P TOW BAR POCKET
- ALUMINUM CONSTRUCTION

SPECIAL FEATURES

NONE

APPROVAL

I, THE UNDERSIGNED, AGREE THAT THE PRODUCT AS REPRESENTED SATISFIES DESIGN AND DIMENSION REQUIREMENTS. I ALSO ACKNOWLEDGE MY DUTY TO CONFIRM PRODUCT AND INSTALLATION COMPLIANCE WITH ALL APPLICABLE FEDERAL, STATE AND LOCAL REGULATIONS AND STANDARDS.

UNITS REQUIRING APPROVAL DRAWINGS OR MODIFIED ARE NON-RETURNABLE

As drawn As marked

Signed: _____ Date: _____

Printed Name: _____

LEAD TIME WILL START UPON RECEIPT OF SIGNED APPROVAL DRAWING

DISTRIBUTOR'S NAME:		P.O.#
VESTIL MANUFACTURING		X
DRAWN BY: CRH		DATE: 08/09/2018
REFERENCE: X		SCALE: 1:56
QUOTED LEAD TIME: X		QUOTE # X
		SALES: X
		FILE NAME: 18-007-232