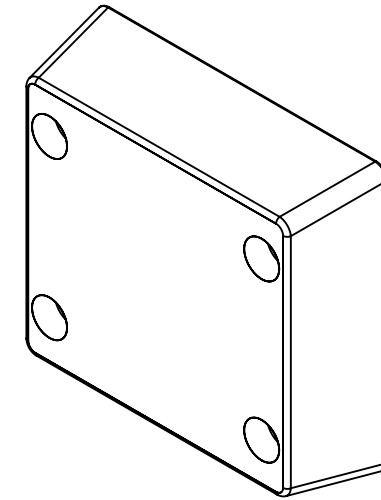
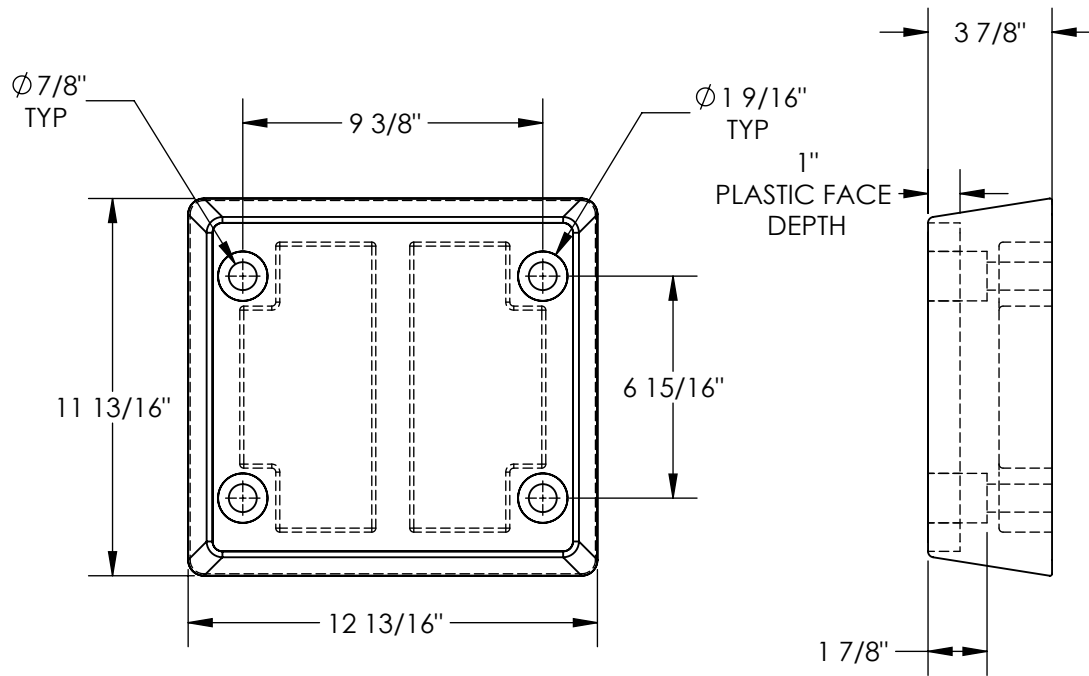


# PLASTIC FACE MOLDED BUMPER - B-1213-4PF

APPROX WEIGHT: 25.09 lbs.  
 DOES NOT INCLUDE WEIGHT OF POWER OR PACKAGING!!!

\*\*\* ANY ADDITIONS, DELETIONS, OR OMISSIONS MUST BE CORRECTED ON THIS DRAWING AS THIS DRAWING WILL BE CONSIDERED ALL INCLUSIVE \*\*\*

ALL GRAPHICS PROVIDED ARE FOR REFERENCE ONLY. IF CERTAIN DIMENSIONS ARE CRITICAL PLEASE VERIFY THOSE DIMENSIONS WITH YOUR SALESPERSON



DIMENSION TOLERANCE ± 1/4"

I, THE UNDERSIGNED, AGREE THAT THE PRODUCT AS REPRESENTED SATISFIES DESIGN AND DIMENSION REQUIREMENTS. I ALSO ACKNOWLEDGE MY DUTY TO CONFIRM PRODUCT AND INSTALLATION COMPLIANCE WITH ALL APPLICABLE FEDERAL, STATE AND LOCAL REGULATIONS AND STANDARDS.  
**ALL SPECIAL UNITS ARE NON-RETURNABLE**  
 As drawn       As marked

**APPROVAL**

Signed: \_\_\_\_\_ Date: \_\_\_\_\_

LEAD TIME WILL START UPON RECEIPT OF SIGNED APPROVAL DRAWING

## STANDARD FEATURES

- MODEL NUMBER IS B-1213-4PF
- OVERALL WIDTH IS 12 13/16"
- USABLE WIDTH IS 11 1/4"
- OVERALL LENGTH IS 11 13/16"
- USABLE LENGTH IS 10 1/4"
- THICKNESS OF 3 7/8"
- 7/8" MOUNTING HOLES
- 1 9/16" ACCESS HOLES
- 1" THICK PLASTIC FACE

## SPECIAL FEATURES

NONE

DISTRIBUTOR'S NAME:		P.O.#
VESTIL MANUFACTURING		X
DRAWN BY: RPS	DATE: 09/25/2012	W.O.#
REFERENCE: X	SCALE: 1:6	X
QUOTED LEAD TIME: X	QUOTE #	FILE NAME:
	X	29-007-211