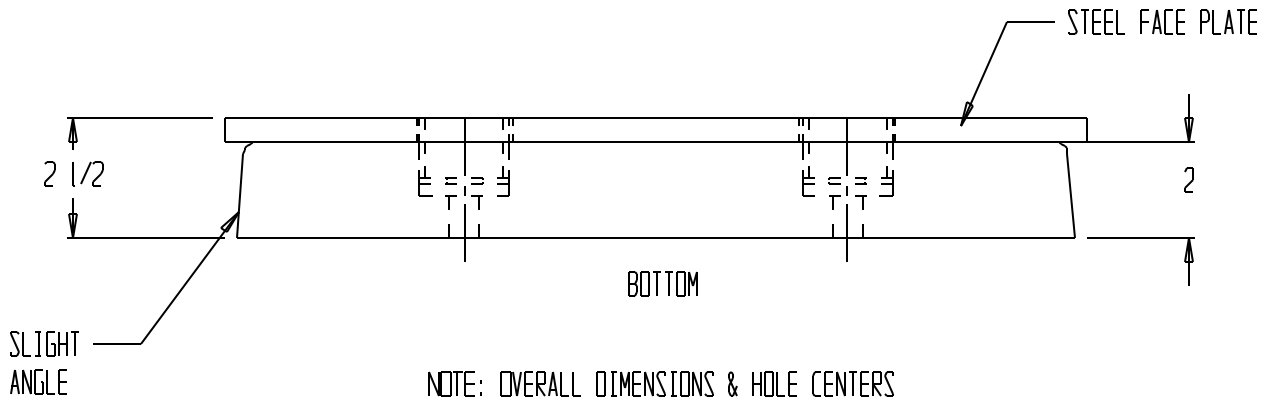
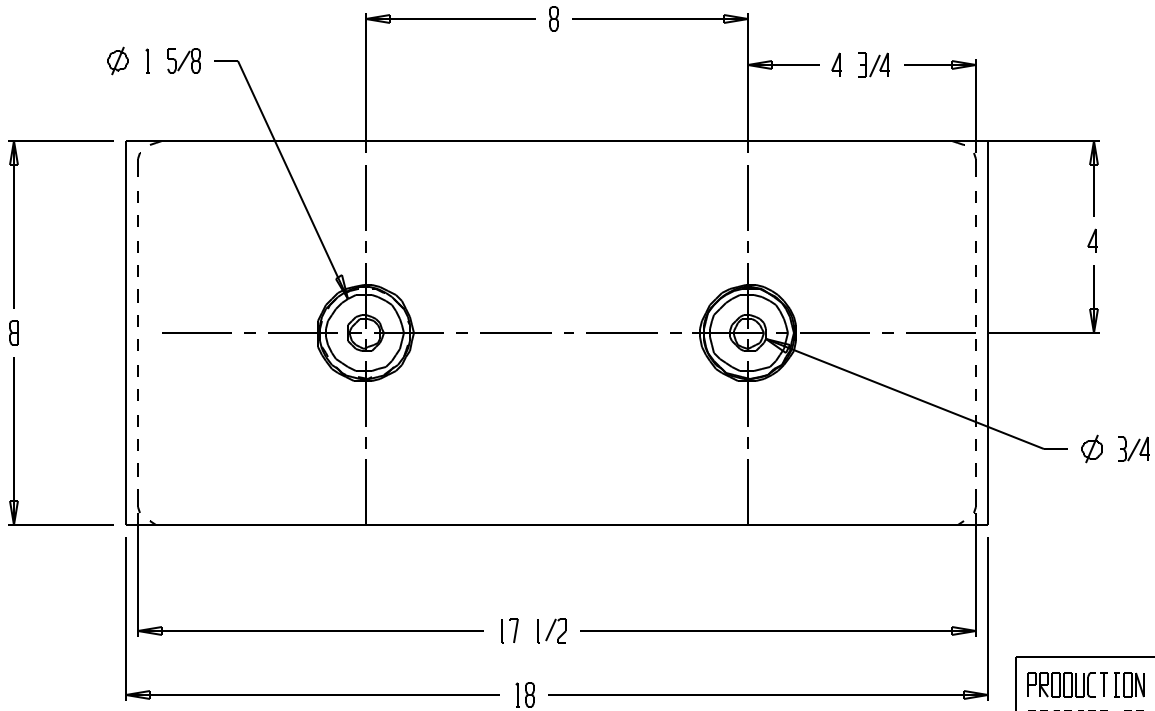


STEEL FACED MOLDED RUBBER BUMPER, B-818-SF

****Any additions, deletions or omissions must be corrected on this drawing, as this drawing will be considered all inclusive.****



NOTE: OVERALL DIMENSIONS & HOLE CENTERS
TAKEN FROM BOTTOM OF BUMPER



PRODUCTION WILL START UPON
RECEIPT OF SIGNED APPROVAL
DRAWING

STANDARD FEATURES

MODEL NUMBER: B-818-SF
OVERALL LENGTH: 18"
OVERALL WIDTH: 8"
PROJECTION: 2 1/2"
HOLES FOR 3/4" LAG DOWN BOLTS

SPECIAL FEATURES

NONE

APPROVAL

I, the undersigned, hereby approve this print
 As drawn As marked
 This includes my approval of design & dimensions.
 Signed: _____
 Date: _____

*** ALL GRAPHICS PROVIDED ARE FOR REFERENCE ONLY.
IF CERTAIN DIMENSIONS ARE CRITICAL PLEASE VERIFY
THOSE DIMENSIONS WITH YOUR SALESPERSON. ***

**SPECIAL UNITS ARE NON-RETURNABLE
*AVAILABLE AT ADDITIONAL COSTS

DISTRIBUTOR'S NAME: VESTIL MANUFACTURING		P.O.#: _
DRAWN BY: SR		W.O.#: _
DATE: 1-17-05	SALES: _	
REFERENCE: -	DRWG./FILE NAME: B-818-SF	scale: 1:4