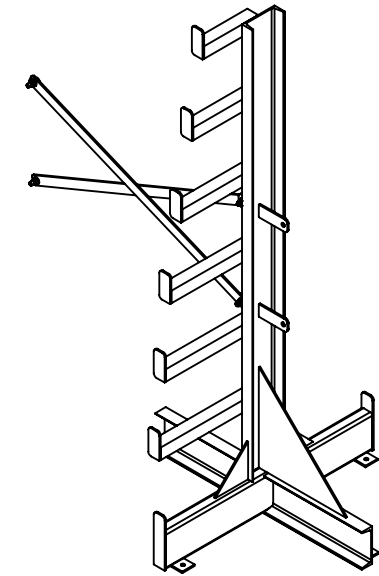
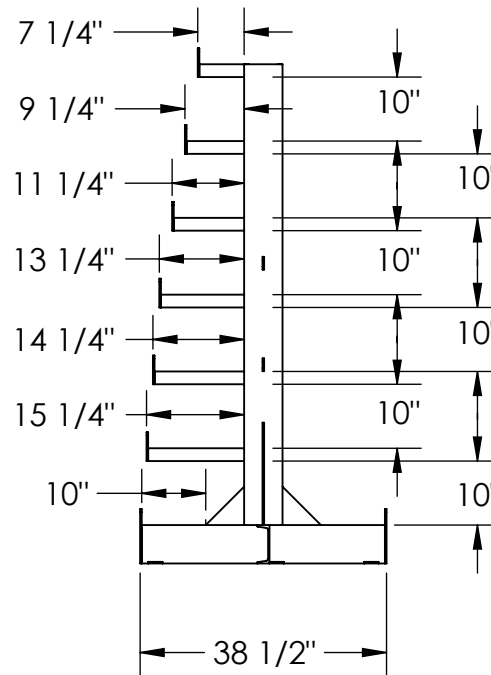
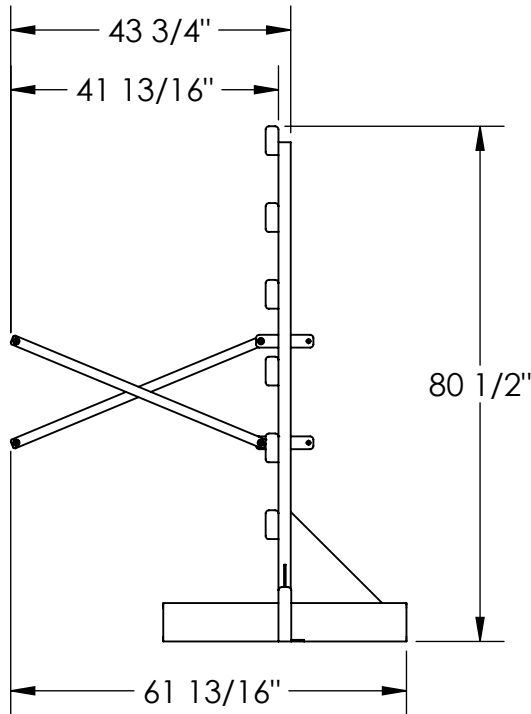
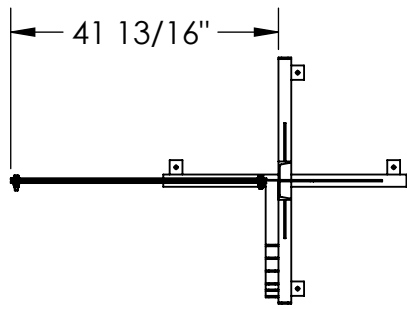


SINGLE SIDED BAR STOCK TREE - BAR-A-84-S

APPROX WEIGHT: 157.59 lbs.
DOES NOT INCLUDE WEIGHT OF POWER OR PACKAGING!!!

*** ANY ADDITIONS, DELETIONS, OR OMISSIONS MUST BE CORRECTED ON THIS DRAWING AS THIS DRAWING WILL BE CONSIDERED ALL INCLUSIVE ***

ALL GRAPHICS PROVIDED ARE FOR REFERENCE ONLY. IF CERTAIN DIMENSIONS ARE CRITICAL PLEASE VERIFY THOSE DIMENSIONS WITH YOUR SALESPERSON



3D VIEW SHOWN FOR REFERENCE ONLY

DIMENSION TOLERANCE $\pm 1/4"$

I, THE UNDERSIGNED, AGREE THAT THE PRODUCT AS REPRESENTED SATISFIES DESIGN AND DIMENSION REQUIREMENTS. I ALSO ACKNOWLEDGE MY DUTY TO CONFIRM PRODUCT AND INSTALLATION COMPLIANCE WITH ALL APPLICABLE FEDERAL, STATE AND LOCAL REGULATIONS AND STANDARDS.
UNITS REQUIRING APPROVAL DRAWINGS OR MODIFIED ARE NON-RETURNABLE
[] As drawn [] As marked

APPROVAL

Signed: _____ Date: _____

Printed Name: _____

LEAD TIME WILL START UPON RECEIPT OF SIGNED APPROVAL DRAWING

| | | |
|----------------------|-------------|------------|
| DISTRIBUTOR'S NAME: | | P.O.# |
| VESTIL MANUFACTURING | | X |
| DRAWN BY: JDB | | W.O.# |
| DATE: 6/11/2009 | | X |
| REFERENCE: X | SCALE: 1:30 | SALES: X |
| QUOTED LEAD TIME: X | QUOTE # | FILE NAME: |
| | X | 31-007-233 |

STANDARD FEATURES

- MODEL NUMBER IS BAR-A-84-S
- OVERALL WIDTH IS 38 1/2"
- OVERALL LENGTH IS 61 13/16"
- OVERALL HEIGHT IS 80 1/2"
- MAX CAPACITY IS 500 LBS. PER ARM
- STORAGE: 7 LEVELS
- BAR STOCK CAN BE STORED ON ONE SIDE
- UNIT SUPPLIED WITH LAG DOWN BRACKETS
- UNIT COMES WITH 1 UPRIGHT
- AND 1 SET OF CROSS-BRACING
- TOUGH BAKED IN POWDER COAT BLUE FINISH

SPECIAL FEATURES

NONE