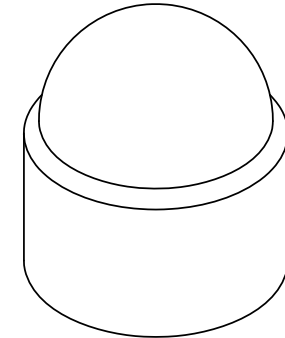


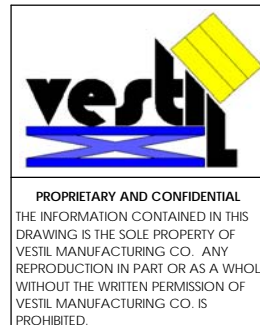
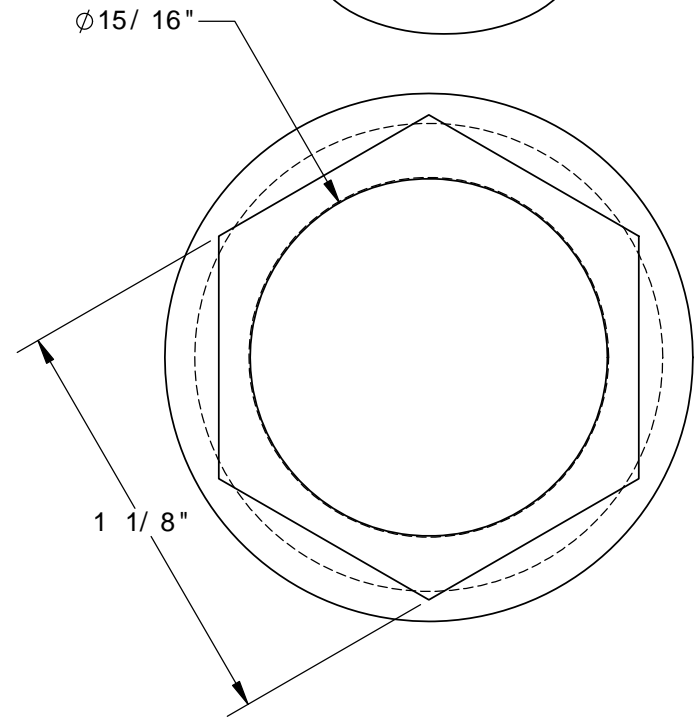
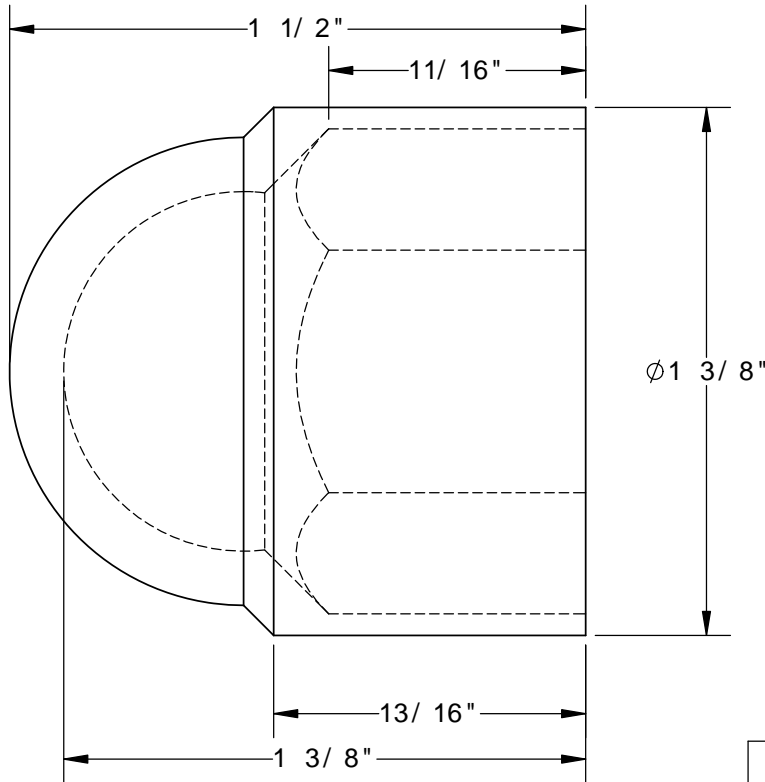
REVISIONS				
ECR	REV.	DESCRIPTION	DATE	INITIAL
1846	A	NOTE ADDED FOR HARDWARE	10/30/2013	JCH

NOTE:

Ⓐ 3/4" \varnothing ANCHOR BOLT
1 1/8" HEX



ACTUAL SIZE



UNLESS OTHERWISE SPECIFIED: REMOVE ALL BURRS AND SHARP EDGES		
DIMENSIONS ARE IN INCHES		
CONCENTRIC	.006 TIR	.060 TIR
ANGLES	$\pm 0^{\circ} 30'$	$\pm 1^{\circ} 0'$
DECIMALS	x.xxx $\pm .005$	
	x.xx $\pm .010$	
DECIMALS	x.x $\pm .025$	$\pm .015$
FRACTIONS	$\pm 1/32$	$\pm 1/16$
TOLERANCES	MACHINE	WELDMENT
COMMENTS:		
DO NOT SCALE DRAWING		

Vestil Manufacturing Co.			
DESCRIPTION: FINAL ASSEMBLY W/OUT SHIPPING			
PRODUCT MODEL NO: BC-BK-34-PK			
DRAWN BY: K.YEAKLE	DATE: 06/28/12	SCALE: 2:1	SIZE A
MAT'L: PLASTIC, BLACK			REV A
SHEET 1 OF 1		DWG. NO. 99-024-023	