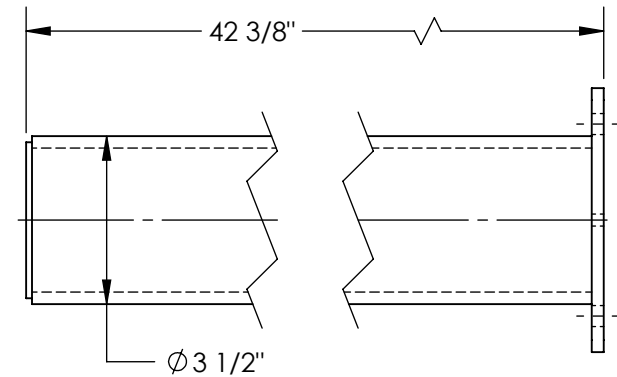
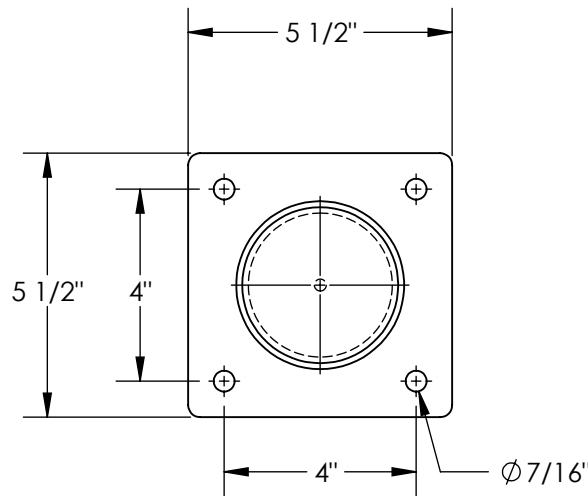
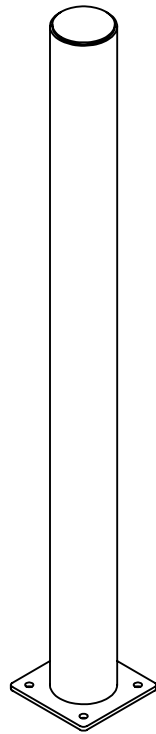


# ALUMINUM BOLLARD, 42" - BOL-A-42-3.5

APPROX WEIGHT: 11 lbs.  
 DOES NOT INCLUDE WEIGHT OF POWER OR PACKAGING!!!

\*\*\* ANY ADDITIONS, DELETIONS, OR OMISSIONS MUST BE CORRECTED ON THIS DRAWING AS THIS DRAWING WILL BE CONSIDERED ALL INCLUSIVE \*\*\*

ALL GRAPHICS PROVIDED ARE FOR REFERENCE ONLY. IF CERTAIN DIMENSIONS ARE CRITICAL PLEASE VERIFY THOSE DIMENSIONS WITH YOUR SALESPERSON



## STANDARD FEATURES

- MODEL NUMBER IS BOL-A-42-3.5
- OVERALL WIDTH IS 5 1/2"
- USABLE WIDTH IS  $\phi$  3 1/2"
- OVERALL LENGTH IS 5 1/2"
- USABLE LENGTH IS  $\phi$  3 1/2"
- OVERALL HEIGHT IS 42 3/8"
- MAX CAPACITY IS 12 LBS.

## SPECIAL FEATURES

NONE

DIMENSION TOLERANCE  $\pm$  1/4"

APPROVAL

I, THE UNDERSIGNED, AGREE THAT THE PRODUCT AS REPRESENTED SATISFIES DESIGN AND DIMENSION REQUIREMENTS. I ALSO ACKNOWLEDGE MY DUTY TO CONFIRM PRODUCT AND INSTALLATION COMPLIANCE WITH ALL APPLICABLE FEDERAL, STATE AND LOCAL REGULATIONS AND STANDARDS.

**UNITS REQUIRING APPROVAL DRAWINGS OR MODIFIED ARE NON-RETURNABLE**

As drawn       As marked

Signed: \_\_\_\_\_ Date: \_\_\_\_\_

Printed Name: \_\_\_\_\_

LEAD TIME WILL START UPON RECEIPT OF SIGNED APPROVAL DRAWING

|                      |           |                       |
|----------------------|-----------|-----------------------|
| DISTRIBUTOR'S NAME:  |           | P.O.#                 |
| VESTIL MANUFACTURING |           | X                     |
| DRAWN BY: TJH        |           | DATE: 02/23/23        |
| REFERENCE: X         |           | SCALE: 1:12           |
| QUOTED LEAD TIME: X  | QUOTE # X | SALES: X              |
|                      |           | FILE NAME: 23-007-899 |