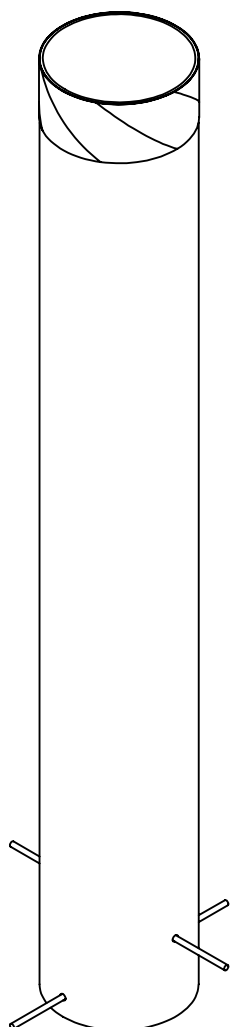
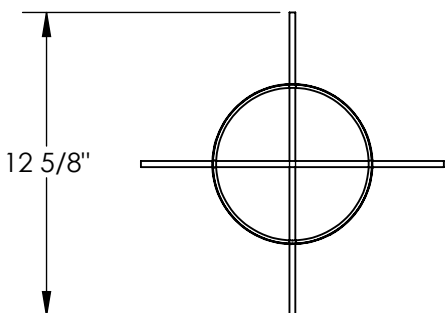


POUR IN PLACE BOLLARD - BOLPP-36-6.5

APPROX WEIGHT: 37.23 lbs.
DOES NOT INCLUDE WEIGHT OF POWER OR PACKAGING!!!

ANY ADDITIONS, DELETIONS, OR OMISSIONS MUST BE CORRECTED ON THIS DRAWING AS THIS DRAWING WILL BE CONSIDERED ALL INCLUSIVE

ALL GRAPHICS PROVIDED ARE FOR REFERENCE ONLY. IF CERTAIN DIMENSIONS ARE CRITICAL PLEASE VERIFY THOSE DIMENSIONS WITH YOUR SALESPERSON

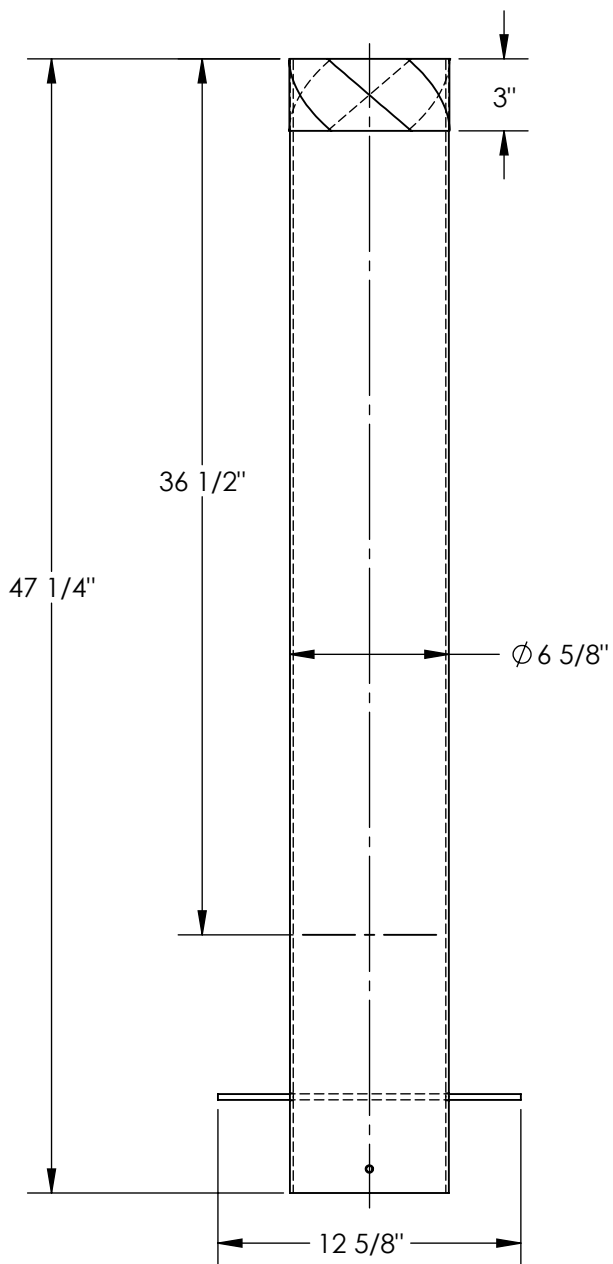


STANDARD FEATURES

MODEL NUMBER IS BOLPP-36-6.5
 USABLE HEIGHT IS 36 1/2"
 OVERALL HEIGHT IS 47 1/4"
 OUTSIDE DIAMETER IS 6 5/8"
 TOUGH BAKED IN POWDER
 COATED YELLOW FINISH
 BLACK & YELLOW SAFETY STRIPES
 LAG ANCHORS SHIP UNATTACHED
 ALL STEEL CONSTRUCTION
 (ASTM A-36 MIN.) WITH
 WELDING TO MEET AWS
 WARNING: CHECK APPLICABLE STATE
 & LOCAL LAWS FOR YOUR AREA

SPECIAL FEATURES

NONE



FOR INTERNAL USE ONLY PROJECT SIGN OFF	
SALES	
ENG.	
FAB.	
POWER	

DIMENSION TOLERANCE $\pm 1/4"$

A P P R O V A L	I, THE UNDERSIGNED, AGREE THAT THE PRODUCT AS REPRESENTED SATISFIES DESIGN AND DIMENSION REQUIREMENTS. I ALSO ACKNOWLEDGE MY DUTY TO CONFIRM PRODUCT AND INSTALLATION COMPLIANCE WITH ALL APPLICABLE FEDERAL, STATE AND LOCAL REGULATIONS AND STANDARDS.	
	ANY MODIFIED UNITS ARE NON-RETURNABLE	
	[] As drawn [] As marked	
	Signed: _____ Date: _____	
Printed Name: _____		
<i>LEAD TIME WILL START UPON RECEIPT OF SIGNED APPROVAL DRAWING</i>		

DISTRIBUTOR'S NAME:		P.O.#
VESTIL MANUFACTURING		X
		W.O.#
DRAWN BY: DEC		X
DATE: 6/6/16		SALES:
REFERENCE: X		X
SCALE: 1:8		FILE NAME:
QUOTED LEAD TIME: X		23-007-620
QUOTE #		
X		