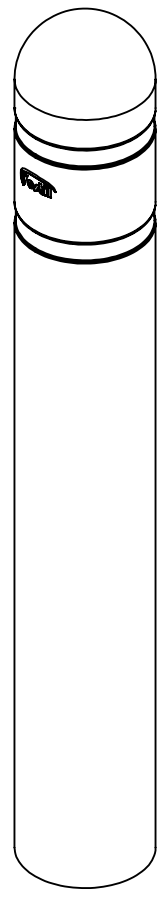
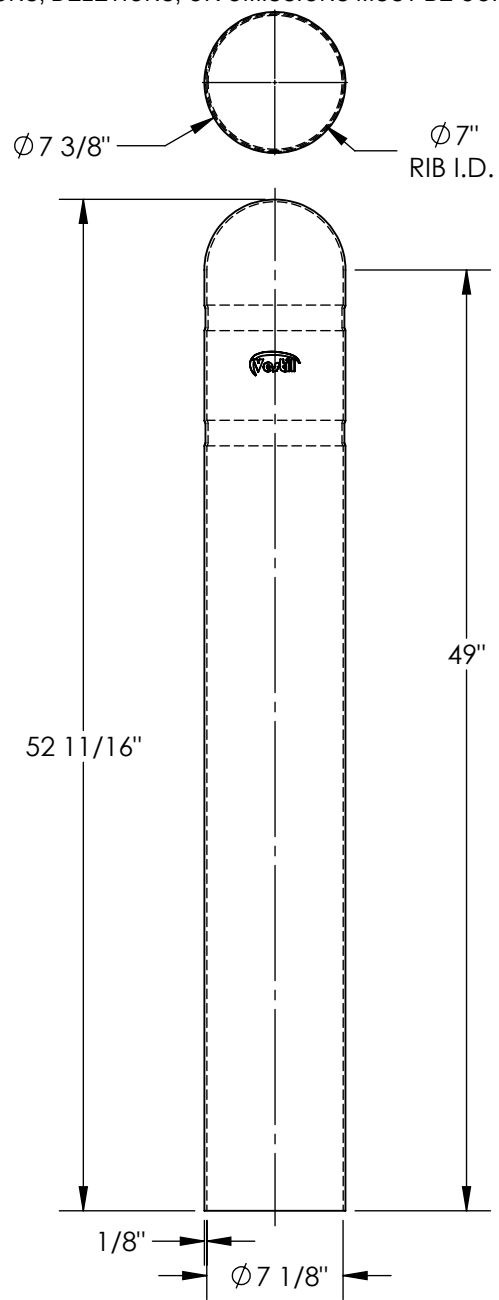


PLASTIC BOLLARD COVER: BPC-48-6.5

APPROX WEIGHT: 5 lbs.
 DOES NOT INCLUDE WEIGHT OF POWER OR PACKAGING!!!

ANY ADDITIONS, DELETIONS, OR OMISSIONS MUST BE CORRECTED ON THIS DRAWING AS THIS DRAWING WILL BE CONSIDERED ALL INCLUSIVE



ALL GRAPHICS PROVIDED ARE FOR REFERENCE ONLY. IF CERTAIN DIMENSIONS ARE CRITICAL PLEASE VERIFY THOSE DIMENSIONS WITH YOUR SALESPERSON

DIMENSION TOLERANCE ± 1/4"

STANDARD FEATURES

- MODEL NUMBER: BPC-48-6.5
- OVERALL HEIGHT: 52 11/16"
- USABLE HEIGHT: 49"
- OUTER DIAMETER: Ø7 3/8"
- INNER DIAMETER: Ø7 1/8"
- INNER RIB DIAMETER: Ø7"
- WALL THICKNESS: 1/8"
- FOR USE WITH Ø6 5/8" x 48" BOLLARDS
- 2-RIBBED DESIGN
- MOLDED PLASTIC CONSTRUCTION
- YELLOW FINISH

SPECIAL FEATURES

NONE

A P P R O V A L	I, THE UNDERSIGNED, AGREE THAT THE PRODUCT AS REPRESENTED SATISFIES DESIGN AND DIMENSION REQUIREMENTS. I ALSO ACKNOWLEDGE MY DUTY TO CONFIRM PRODUCT AND INSTALLATION COMPLIANCE WITH ALL APPLICABLE FEDERAL, STATE AND LOCAL REGULATIONS AND STANDARDS.	
	UNITS REQUIRING APPROVAL DRAWINGS OR MODIFIED ARE NON-RETURNABLE	
	[] As drawn [] As marked	
Signed: _____		Date: _____
Printed Name: _____		
<i>LEAD TIME WILL START UPON RECEIPT OF SIGNED APPROVAL DRAWING</i>		

DISTRIBUTOR'S NAME:		P.O.#
VESTIL MANUFACTURING		X
DRAWN BY: TJM		W.O.#
DATE: 01/11/2021		X
REFERENCE: X		SALES: X
QUOTED LEAD TIME: X		SCALE: 1:10
QUOTE #		FILE NAME:
X		23-007-801-001