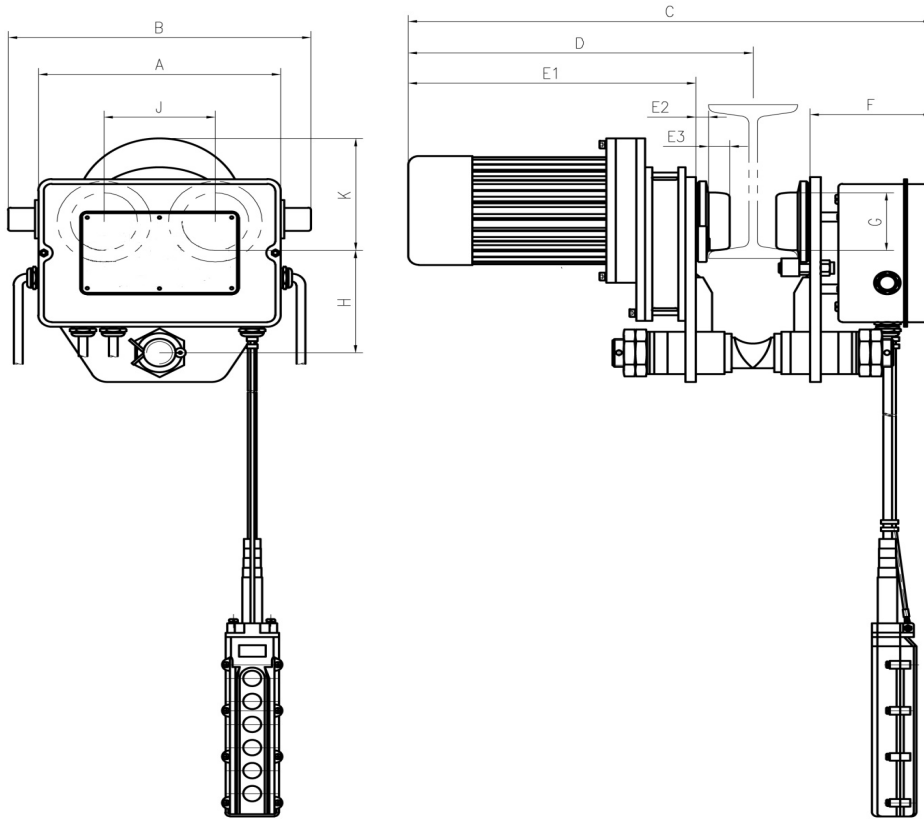


SINGLE PHASE MOTORIZED TROLLEY 115V/230V

MODEL	RATED CAPACITY	BEAM WIDTH	RUNNING SPEED	MOTOR OUTPUT	NET WEIGHT
	<i>tons</i>	<i>inches</i>	<i>ft./min</i>	<i>hp</i>	<i>lbs.</i>
HH-B025-T	1/4	2.95 - 7.09	33	0.4	106
HH-B05-T	1/2	2.95 - 7.09	33	0.4	106
HH-B10-T	1	2.95 - 7.09	33	0.4	106
HH-B20-T	2	2.95 - 7.09	33	0.4	110
HH-B30-T	3	3.94 - 7.99	33	0.4	119
HH-B50-T	5	3.94 - 7.99	31	0.4	165

%ED	25%
CLASS	ISO M4
CONTROL VOLTAGE	24V

MODEL	A	B	C	D	E1	E2	E3	F	G	H	J	K
	<i>inches</i>	<i>inches</i>	<i>inches</i>	<i>inches</i>	<i>inches</i>	<i>inches</i>	<i>inches</i>	<i>inches</i>	<i>inches</i>	<i>inches</i>	<i>inches</i>	<i>inches</i>
HH-B025-T	10.71	13.39	21.97	14.49	12.36	0.57	0.91	5.35	2.95	5.24	4.92	5.75
HH-B05-T	10.71	13.39	21.97	14.49	12.36	0.57	0.91	5.35	2.95	5.24	4.92	5.75
HH-B10-T	10.71	13.39	23.19	14.49	12.36	0.57	0.91	5.35	2.95	5.24	4.92	5.75
HH-B20-T	10.71	13.39	23.19	15.24	12.52	0.57	0.94	5.43	2.95	5.24	4.92	5.83
HH-B30-T	10.71	15.43	23.46	15.39	12.72	0.59	1.18	5.43	3.78	4.43	5.67	6.04
HH-B50-T	10.71	18.98	22.87	14.45	11.57	0.79	1.42	5.59	4.72	9.88	6.77	6.34



BISON
LIFTING EQUIPMENT