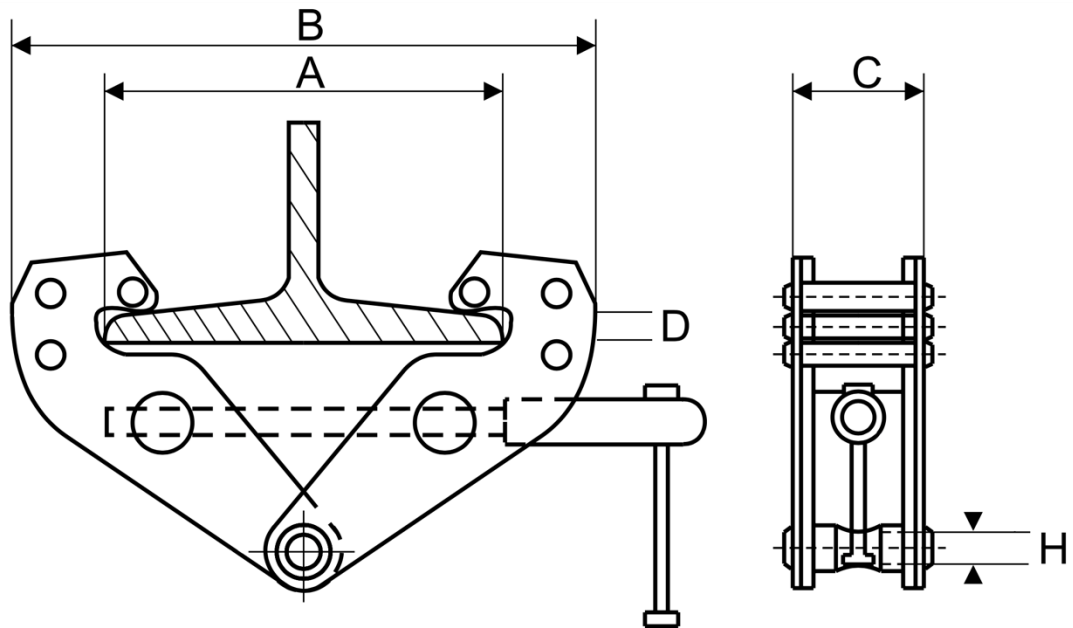




BEAM CLAMPS

Key Specifications:

- SIZES BETWEEN 1 - 20 TON
- MEETS ASME B30.16
- FOR LIFTING OR HANGING
- WORKS ON S AND W BEAMS



CAPACITY	FLANGE SIZES (A)	B (MIN)	B (MAX)	C	D	H
1 TON	2.76 - 8.66	6.69	12.6	2.56	1.1	0.83
2 TON	2.76 - 8.66	6.69	12.6	2.87	1.1	0.83
3 TON	3.15 - 12.6	9.45	18.11	3.94	1.42	1.02
5 TON	3.15 - 12.6	9.45	18.11	4.25	1.42	1.26
10 TON	3.54 - 13.39	11.22	20.28	4.65	1.7	1.54
15 TON	3.54 - 16.54	14.96	26.38	4.92	2.17	2.05
20 TON	3.54 - 16.54	14.96	26.38	5.31	2.17	2.05