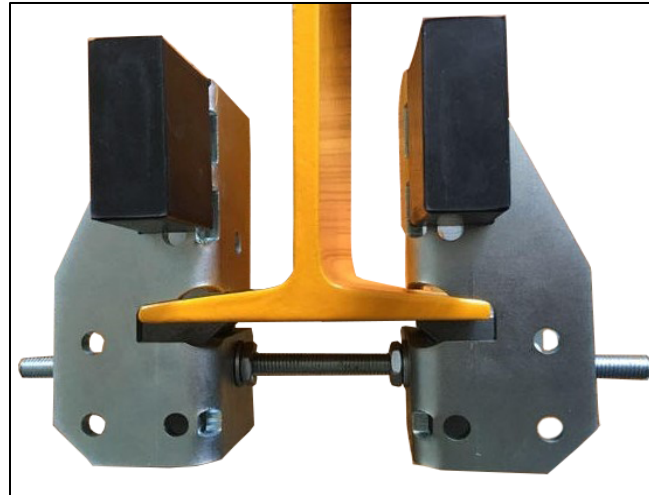




TROLLEY BEAM END STOP

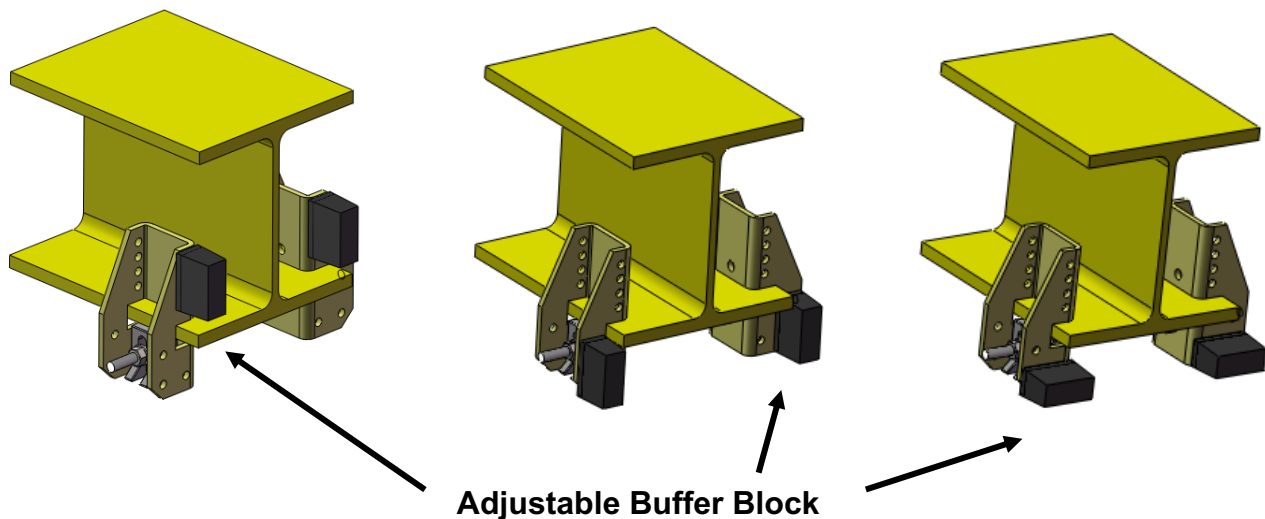
Key Specifications:

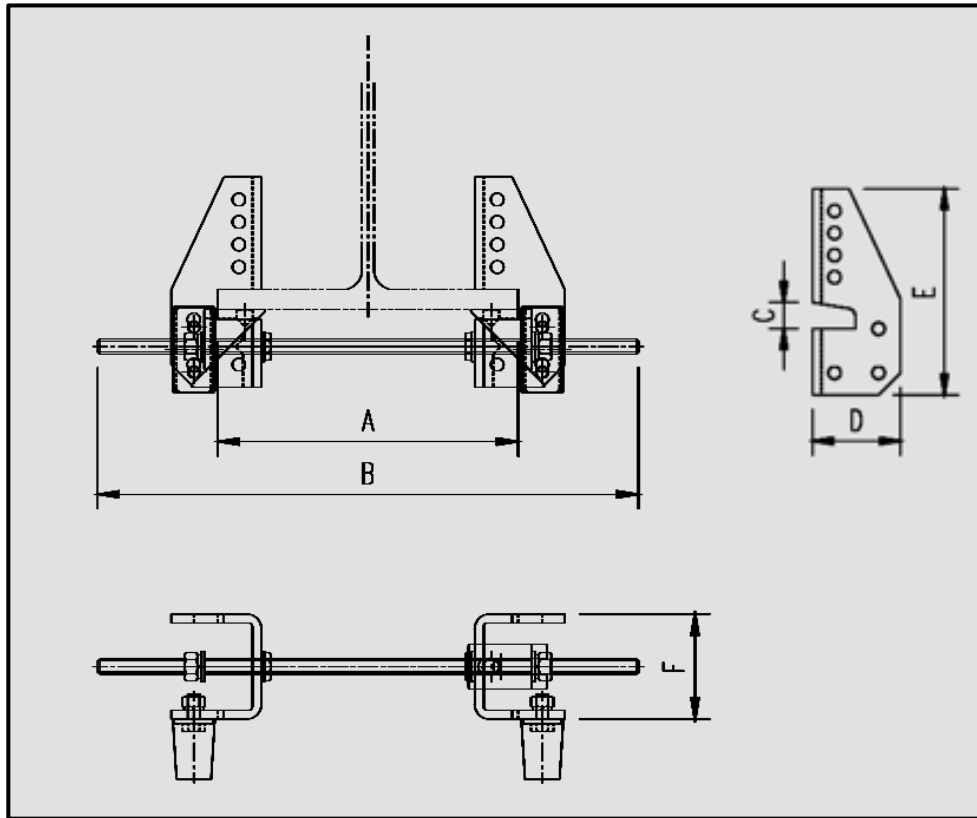
- BEAM WIDTH: 3.2" TO 6.3"
- MAX BEAM THICKNESS: 0.7"



Clamps directly onto a beam's flange. Fully Adjustable.

The Bison End Stops are a great solution to simply clamp on stops for your monorail or bridge to prevent a hoist or trolley from traveling further than the clamping point. Fits S-Beams. Includes full assembly (nuts, bolts, buffer blocks, threaded rods, and brackets). The adjustable buffer blocks allow for compatibility of a wide range of hoist and trolley brands. The adjustable flange width accommodates for a variety of beam profiles.





DIMENSIONS

A	B	C	D	E	F
3.2" – 6.3"	9.8"	0.70"	2.36"	5.51"	2.75"

- Galvanized Steel
- Impact Force 20,000 lbs. @ 33ft/min.
- Impact Force 4,000 lbs. @ 92 ft/min.

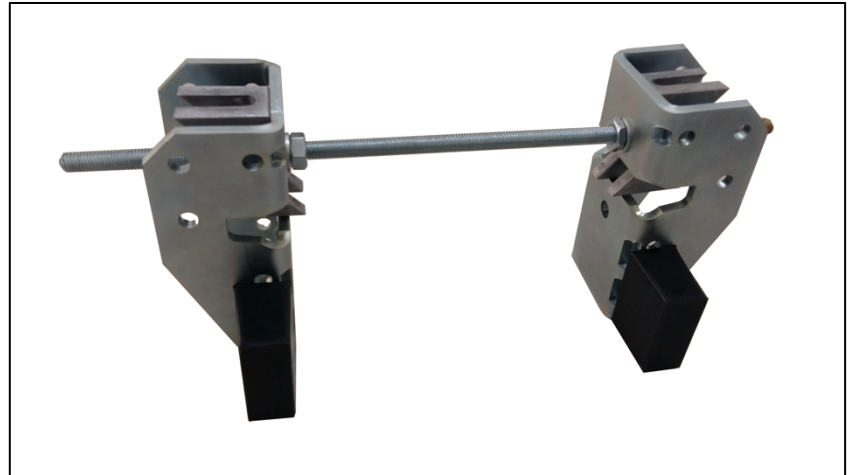
COMES WITH 2 CLAMPS PER KIT



TROLLEY BEAM END STOP

Key Specifications:

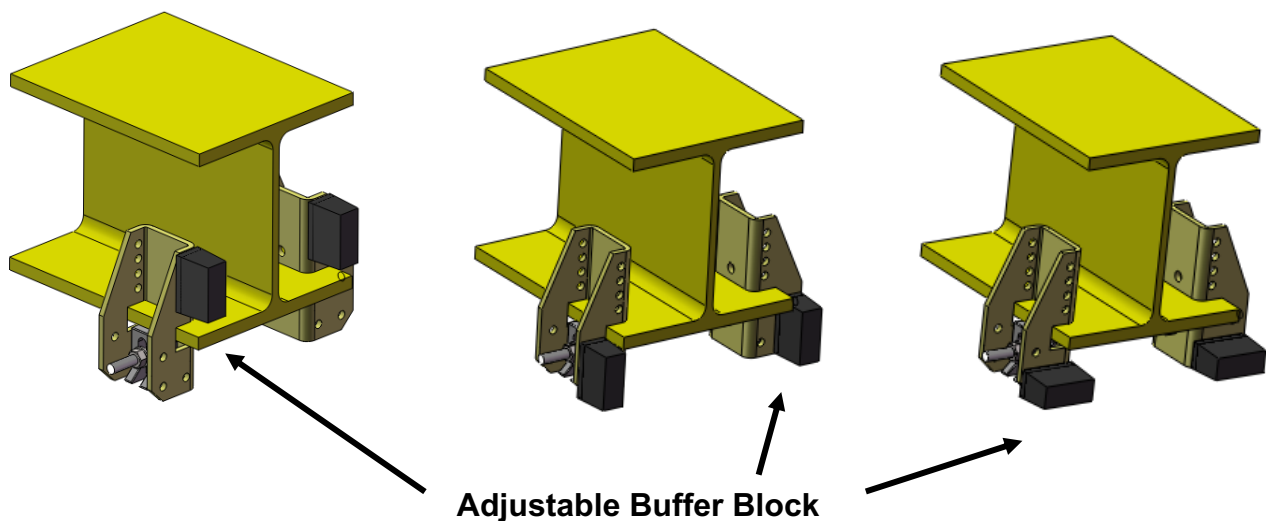
- BEAM WIDTH: 3.2" TO 11.81"
- MAX BEAM THICKNESS: 0.78"

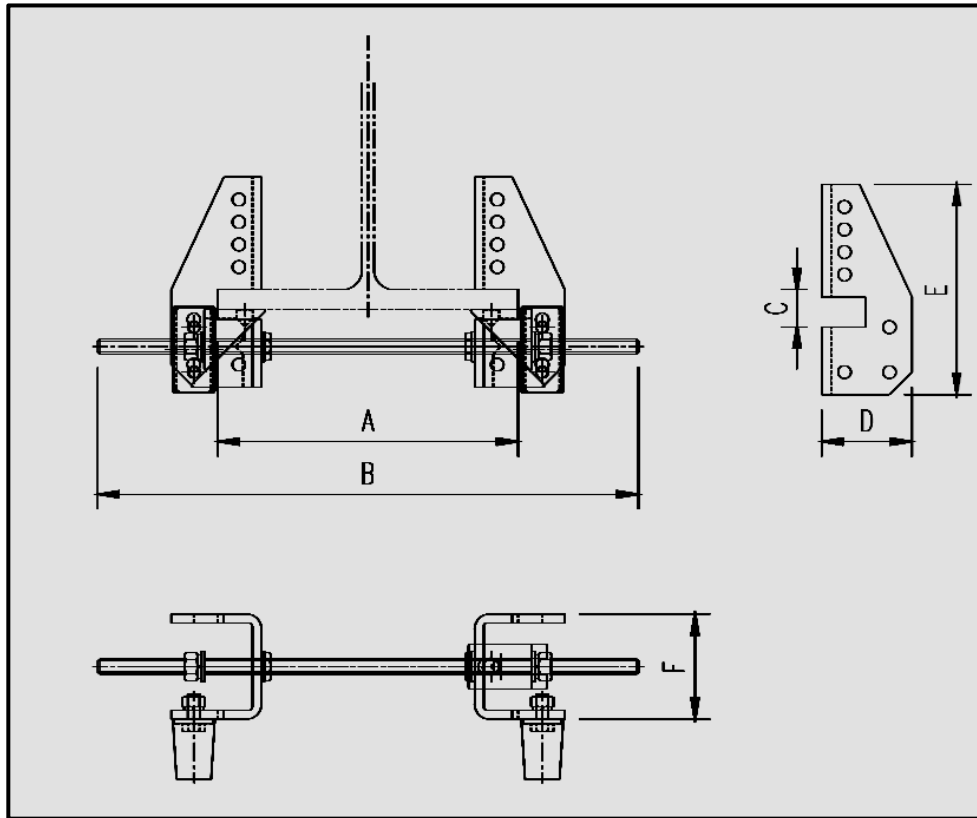


Clamps directly onto a beam's flange. Fully Adjustable.

The Bison End Stops are a great solution to simply clamp on stops for your monorail or bridge to prevent a hoist or trolley from traveling further than the clamping point. Fits W-Beams.

Includes full assembly (nuts, bolts, buffer blocks, threaded rods, and brackets). The adjustable buffer blocks allow for compatibility of a wide range of hoist and trolley brands. The adjustable flange width accommodates for a variety of beam profiles.





DIMENSIONS

A	B	C	D	E	F
3.2" – 11.81"	14.17"	0.78"	2.36"	5.51"	2.75"

- Galvanized Steel
- Impact Force 20,000 lbs. @ 33ft/min.
- Impact Force 4,000 lbs. @ 92 ft/min.

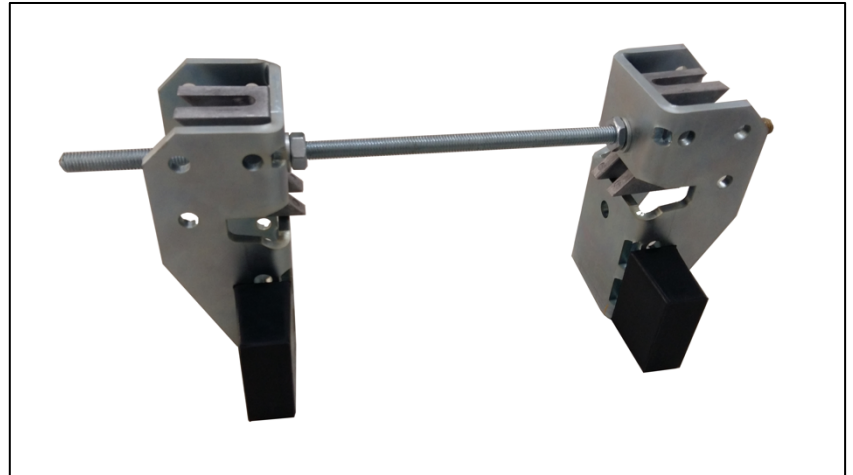
COMES WITH 2 CLAMPS PER KIT



TROLLEY BEAM END STOP

Key Specifications:

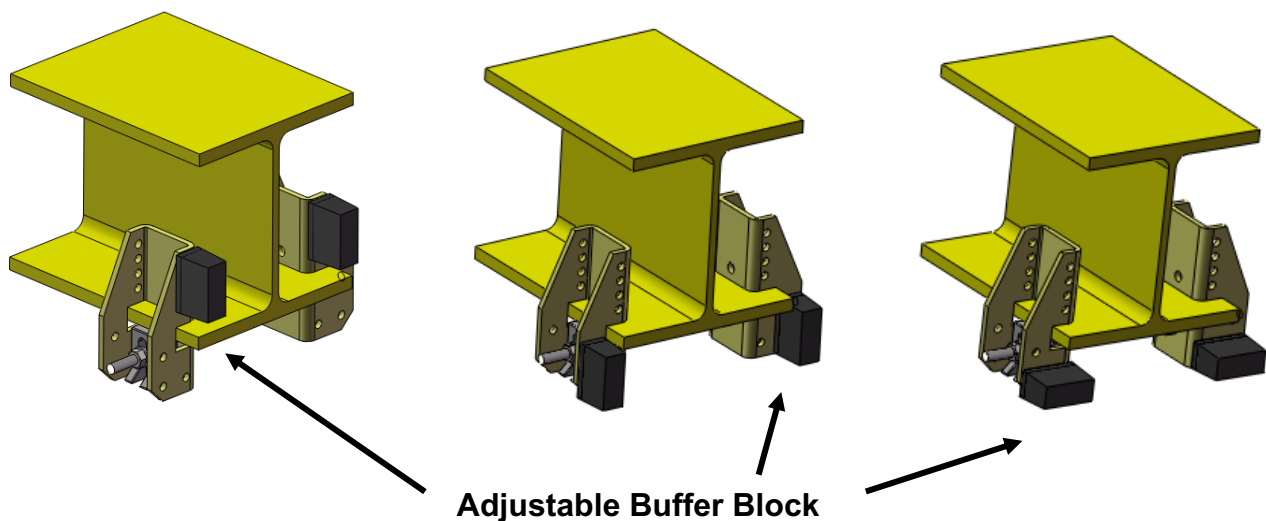
- BEAM WIDTH: 3.2" TO 21.65"
- MAX BEAM THICKNESS: 0.78"

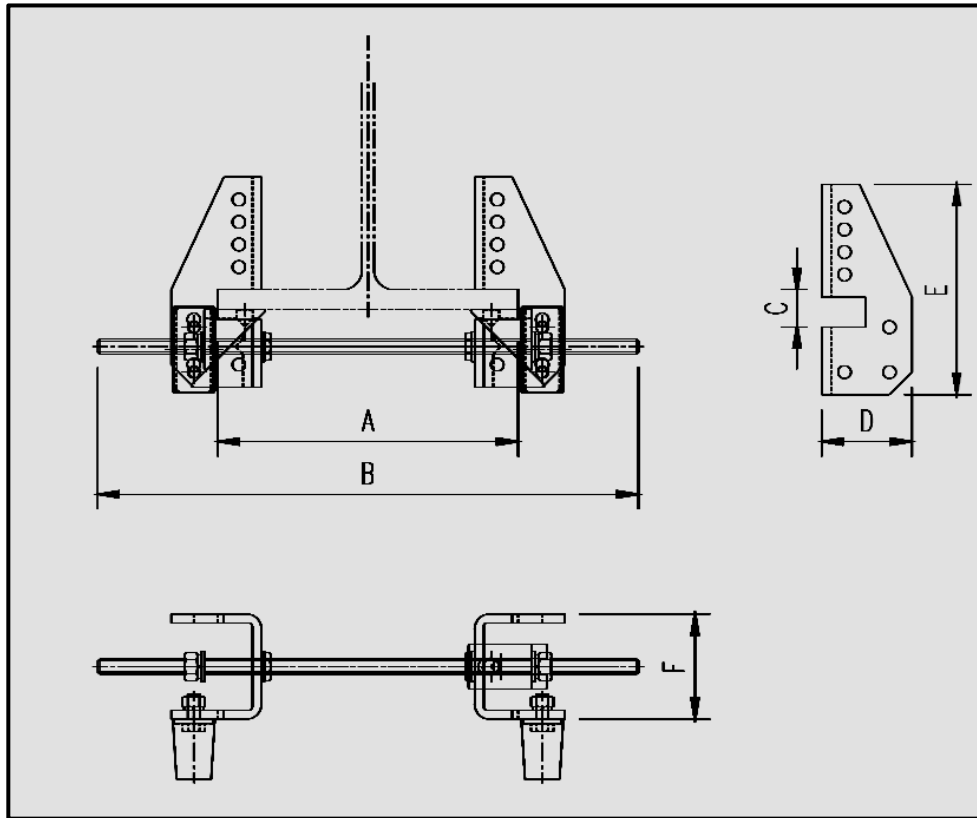


Clamps directly onto a beam's flange. Fully Adjustable.

The Bison End Stops are a great solution to simply clamp on stops for your monorail or bridge to prevent a hoist or trolley from traveling further than the clamping point. Fits W-Beams.

Includes full assembly (nuts, bolts, buffer blocks, threaded rods, and brackets). The adjustable buffer blocks allow for compatibility of a wide range of hoist and trolley brands. The adjustable flange width accommodates for a variety of beam profiles.





DIMENSIONS

A	B	C	D	E	F
3.2" – 21.65"	24.8"	0.78"	2.36"	5.51"	2.75"

- Galvanized Steel
- Impact Force 20,000 lbs. @ 33ft/min.
- Impact Force 4,000 lbs. @ 92 ft/min.

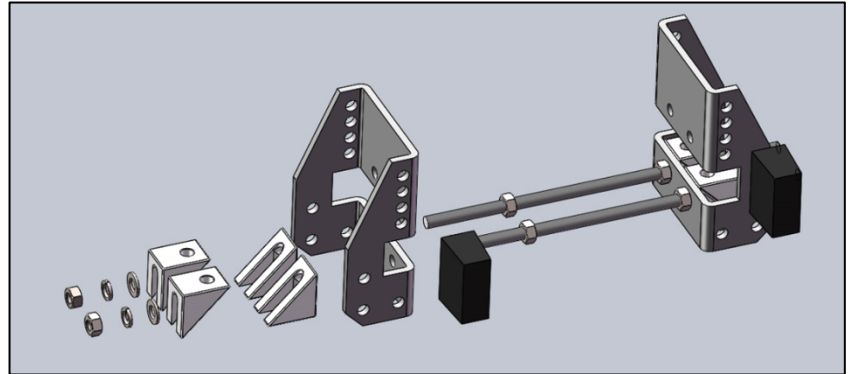
COMES WITH 2 CLAMPS PER KIT



TROLLEY BEAM END STOP

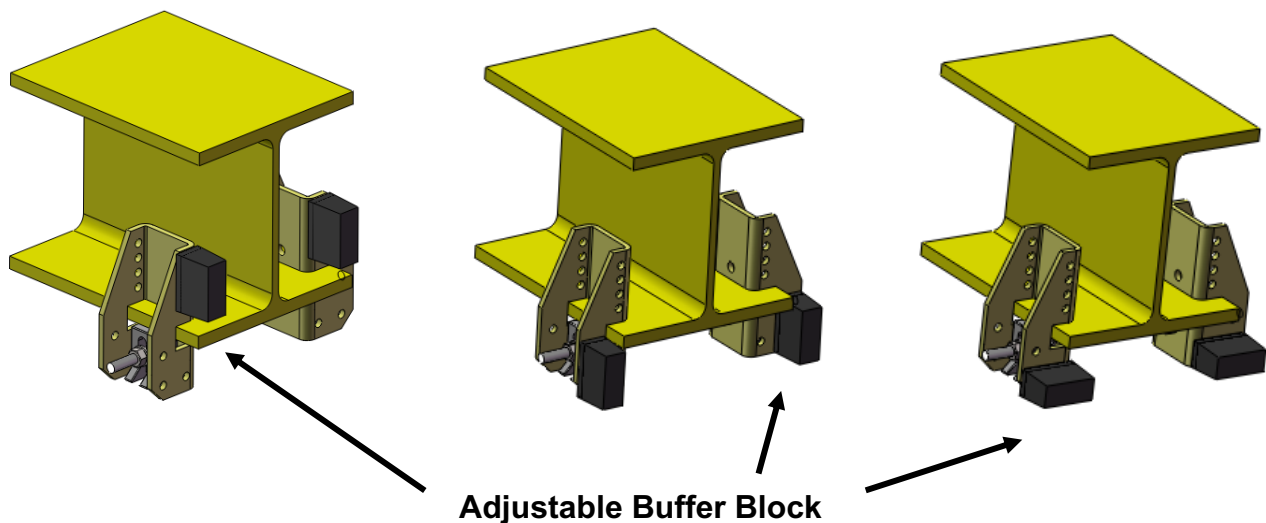
Key Specifications:

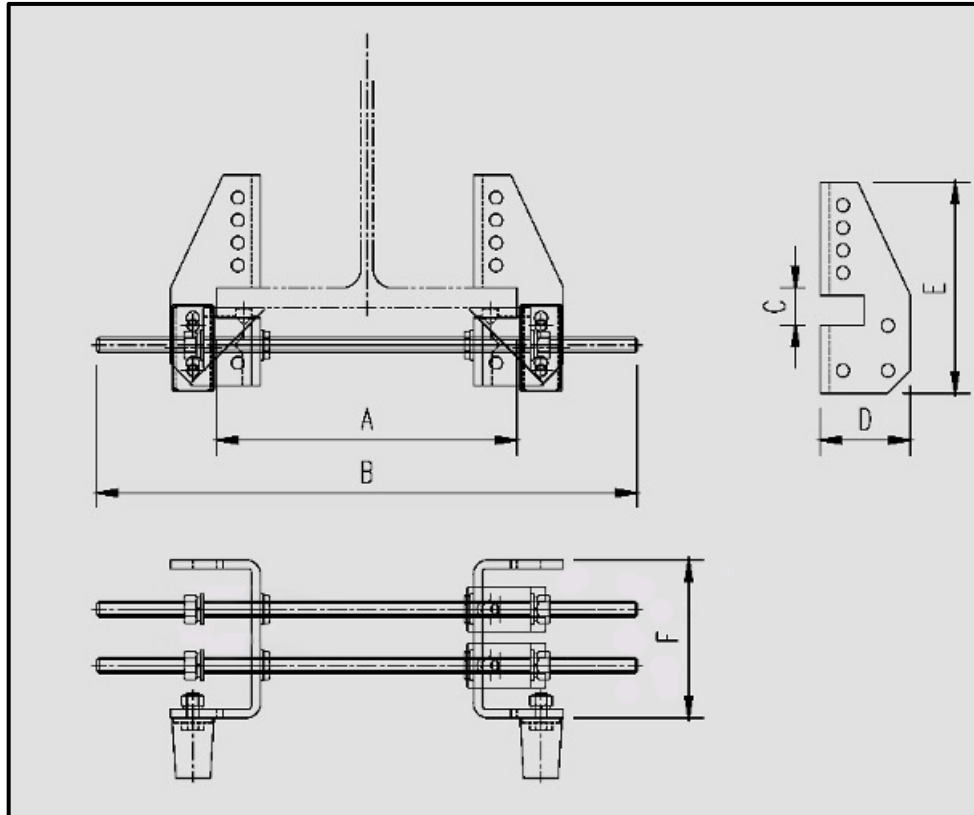
- BEAM WIDTH: 4.25" TO 21.65"
- MAX BEAM THICKNESS: 1.18"



Clamps directly onto a beam's flange. Fully Adjustable.

The Bison End Stops are a great solution to simply clamp on stops for your monorail or bridge to prevent a hoist or trolley from traveling further than the clamping point. Fits W-Beams. Includes full assembly (nuts, bolts, buffer blocks, threaded rods, and brackets). The adjustable buffer blocks allow for compatibility of a wide range of hoist and trolley brands. The adjustable flange width accommodates for a variety of beam profiles.





DIMENSIONS

A	B	C	D	E	F
4.25" – 21.65"	25"	1.18"	2.36"	5.9"	4.3"

- Galvanized Steel
- Impact Force 20,000 lbs. @ 33ft/min.
- Impact Force 4,000 lbs. @ 92 ft/min.

COMES WITH 2 SETS OF THE ABOVE TESH30-63 IN A BOX