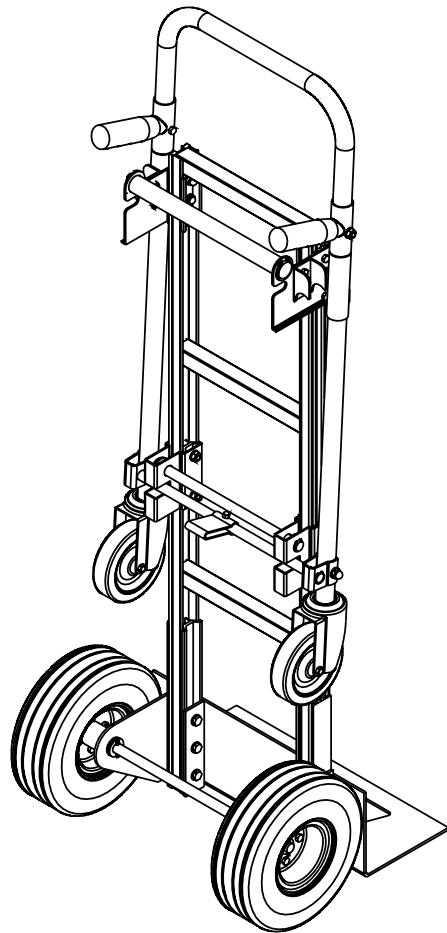


ALUMINUM CONVERTIBLE HAND TRUCK, CAHT-500

*** ALL GRAPHICS PROVIDED ARE FOR REFERENCE ONLY.
IF CERTAIN DIMENSIONS ARE CRITICAL PLEASE VERIFY
THOSE DIMENSIONS WITH YOUR SALESPERSON. ***



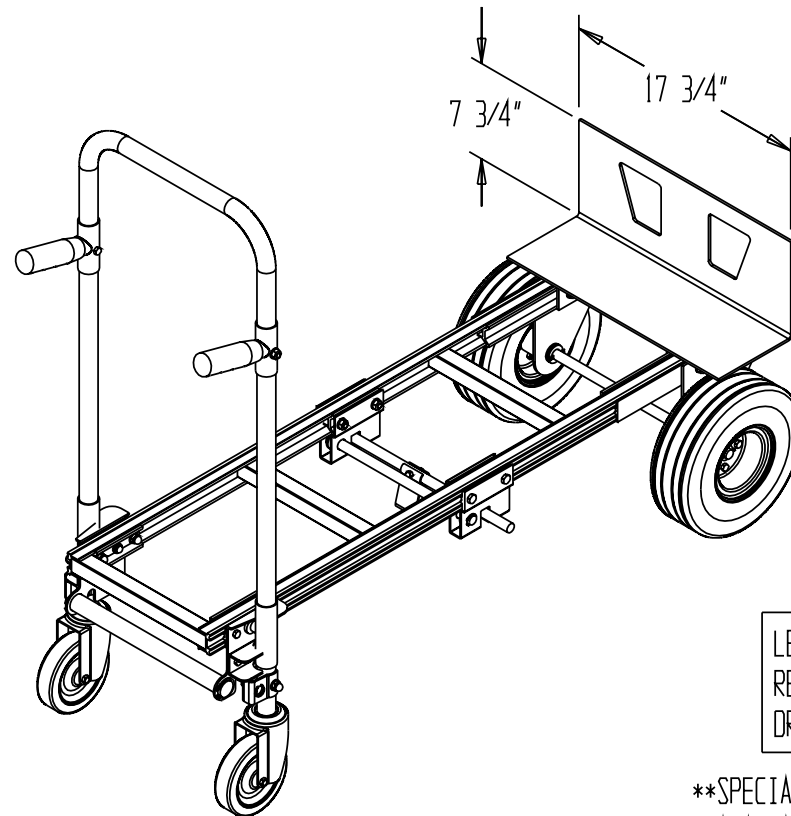
STANDARD FEATURES

MODEL NUMBER: CAHT-500

HAND TRUCK
CAPACITY: 500 LBS.
NOSE PLATE (W x D): 17 3/4" x 7 3/4"
OVERALL WIDTH: 20"
OVERALL DEPTH: 20"
OVERALL HEIGHT: 54"

PLATFORM TRUCK
CAPACITY: 650 LBS.
NOSE PLATE (W x D): 17 3/4" x 7 3/4"
OVERALL WIDTH: 20"
OVERALL DEPTH: 49"
OVERALL HEIGHT: 41"

Any additions, deletions or omissions must be corrected on this drawing, as this drawing will be considered all inclusive.



SPECIAL FEATURES

NONE

LEAD TIME WILL START UPON
RECEIPT OF SIGNED APPROVAL
DRAWING

**SPECIAL UNITS ARE NON-RETURNABLE
*AVAILABLE AT ADDITIONAL COSTS

APPROVAL

I, the undersigned, hereby approve this print
[] As drawn [] As marked
This includes my approval of design & dimensions.
Signed: _____
Date: _____

DISTRIBUTOR'S NAME:		P.O.#: -
VESTIL MANUFACTURING		W.O.#: -
DRAWN BY: SR	DATE: 6-15-06	SALES: -
REFERENCE:		DRWG./FILE NAME:
-	SCALE: 1:12	CAHT-500