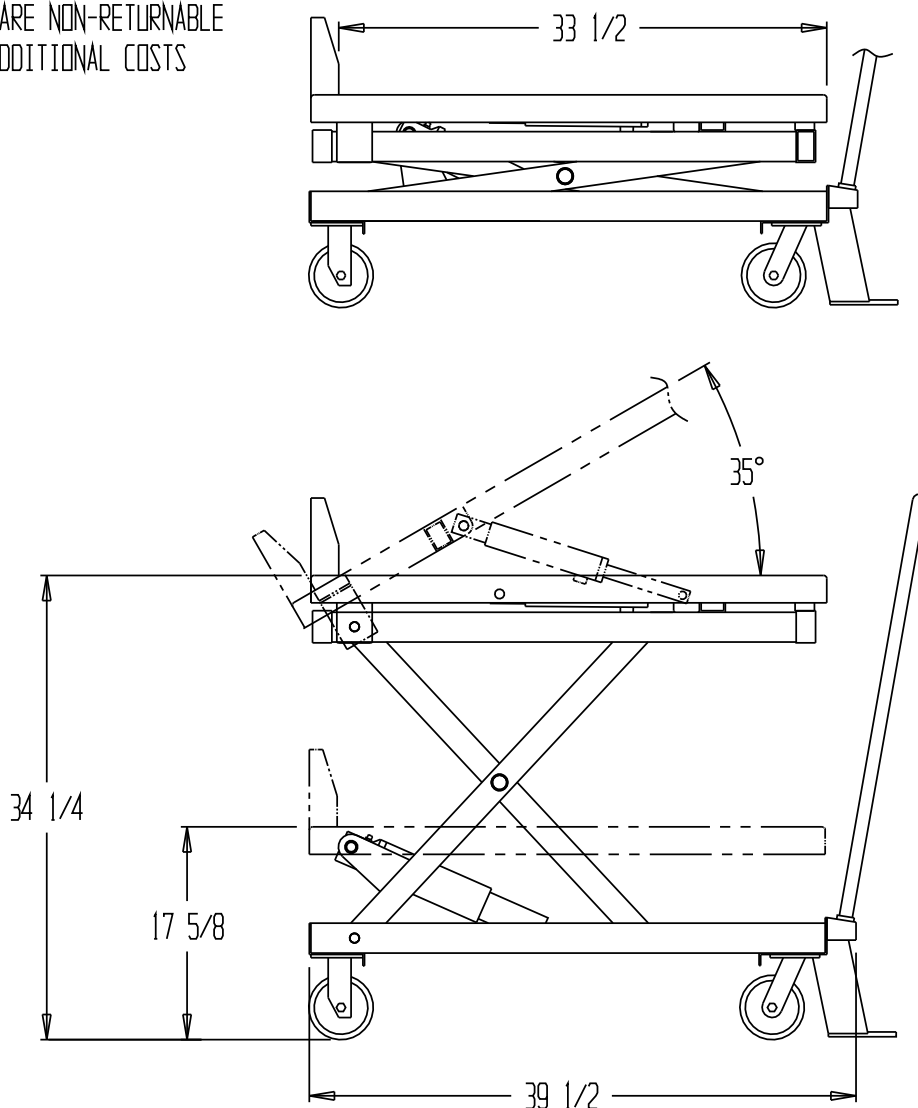


HYDRAULIC LIFT & TILT CART, CART-1000-LT

**SPECIAL UNITS ARE NON-RETURNABLE
*AVAILABLE AT ADDITIONAL COSTS



STANDARD FEATURES

MODEL NUMBER: CART-1000-LT
CAPACITY: 1,000 LBS.
DECK WIDTH: 22"
DECK LENGTH: 33 1/2"
RAISED HEIGHT: 34 1/4"
LOWERED HEIGHT: 17 5/8"
TILTING ANGLE: 35°
CASTER SIZE: 5 X 2 POLY ON STEEL
(2) RIGID CASTERS - FRONT
(2) SWIVEL CASTERS W/BRAKE - BACK
FOOT PUMP OPERATED (NOT SHOWN)

SPECIAL FEATURES

NONE

Dimension Tolerance $\pm 1/2"$

PRODUCTION WILL START UPON
RECEIPT OF SIGNED APPROVAL
DRAWING

FOR INTERNAL USE ONLY
PROJECT SIGN OFF

SALES	
ENG	
FAB.	
POWER	

**A
P
P
R
O
V
A
L**

I, THE UNDERSIGNED, AGREE THAT THE PRODUCT AS REPRESENTED SATISFIES DESIGN & DIMENSION REQUIREMENTS. I ALSO ACKNOWLEDGE MY DUTY TO CONFIRM PRODUCT & INSTALLATION COMPLIANCE WITH ALL APPLICABLE FEDERAL, STATE AND LOCAL REGULATIONS & STANDARDS.

ALL SPECIAL UNITS ARE NON-RETURNABLE
[] As drawn [] As marked

Signed: _____ Date: _____

LEAD TIME WILL START UPON RECEIPT OF SIGNED APPROVAL DRAWING

Any additions, deletions or omissions must be corrected on this drawing, as this drawing will be considered all inclusive.

*** ALL GRAPHICS PROVIDED ARE FOR REFERENCE ONLY. IF CERTAIN DIMENSIONS ARE CRITICAL PLEASE VERIFY THOSE DIMENSIONS WITH YOUR SALESPERSON. ***

DISTRIBUTOR'S NAME: VESTIL MFG		P.O.#: _
DRAWN BY: _____		W.O.#: _
DATE: _		SALES: _
REFERENCE: _	SCALE: _	DRWG./FILE NAME: CART-1000-LT
QUOTED LEADTIME: _	QUOTE #: _	