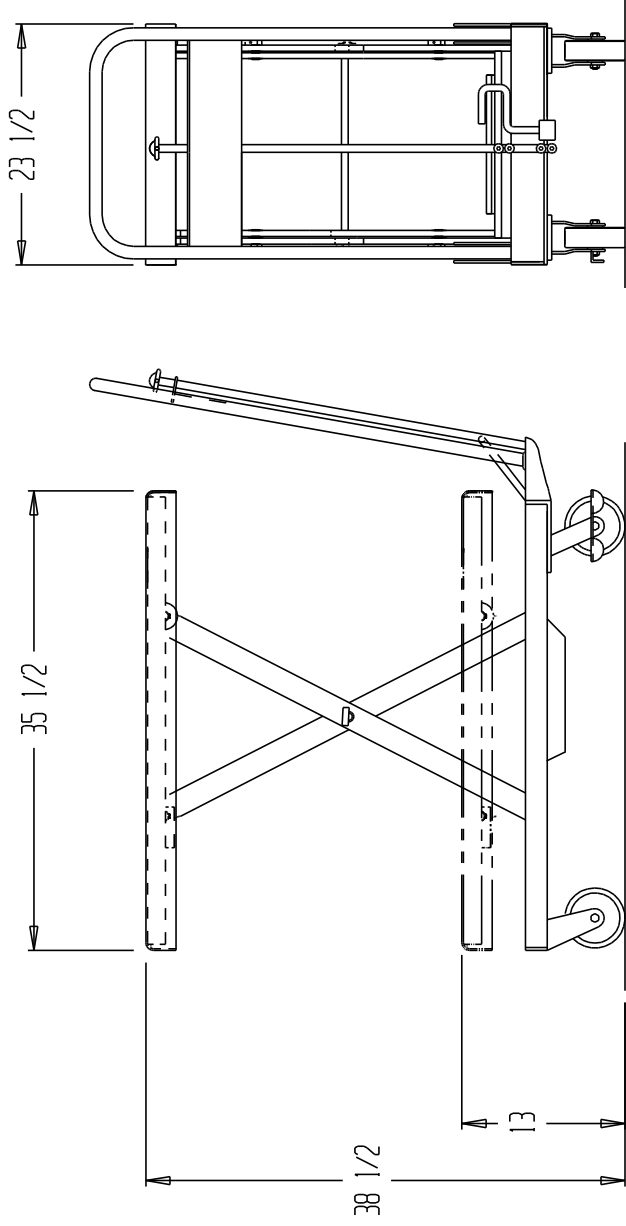


STAINLESS STEEL HYDRAULIC ELEVATING CART, CART-1100-SS



SPECIFICATION:

MODEL NUMBER CART-1100-SS

PLATFORM IS 23 1/2" WIDE x 35 1/2" LONG

LOWERED HEIGHT IS 13" / RAISED HEIGHT IS 38 1/2"

CAPACITY IS 1,100 POUNDS (EVENLY DISTRIBUTED)

ALL STAINLESS STEEL CONSTRUCTION

FRONT SWIVEL CASTERS 5" X 1.5" (ONE WITH BRAKE)

REAR RIGID CASTERS 4" X 1.25"

SPECIAL FEATURES:

NONE

PRODUCTION WILL START UPON
RECEIPT OF SIGNED APPROVAL
DRAWING

**SPECIAL UNITS ARE NON-RETURNABLE
*AVAILABLE AT ADDITIONAL COSTS

All graphics provided are for reference only.
If certain dimensions are critical please
verify those dimensions with your salesperson

FOR INTERNAL USE ONLY PROJECT SIGN OFF	A
SALES	P
ENG	R
FAB.	O
POWER	V
	A
	J

I, THE UNDERSIGNED, AGREE THAT THE PRODUCT AS REPRESENTED
SATISFIES DESIGN & DIMENSION REQUIREMENTS. I ALSO ACKNOWLEDGE
MY DUTY TO CONFIRM PRODUCT & INSTALLATION COMPLIANCE WITH ALL
APPLICABLE FEDERAL, STATE AND LOCAL REGULATIONS & STANDARDS.
ANY MODIFIED UNITS ARE NON-RETURNABLE
() As drawn () As noted
Signed: _____ Date: _____
Printed Name: _____

LEAD TIME WILL START UPON RECEIPT OF SIGNED APPROVAL DRAWING

DISTRIBUTOR'S NAME: **VESTIL MANUFACTURING**

DATE: 12-12-08

SCALE: N/A

QUOTE #: -

CART-1100-SS

OF PUMPS TO RAISE

	UNLOADED	LOADED
LOW SPEED	51	54
HIGH SPEED	30	CAN NOT PUMP ON HIGH SPEED