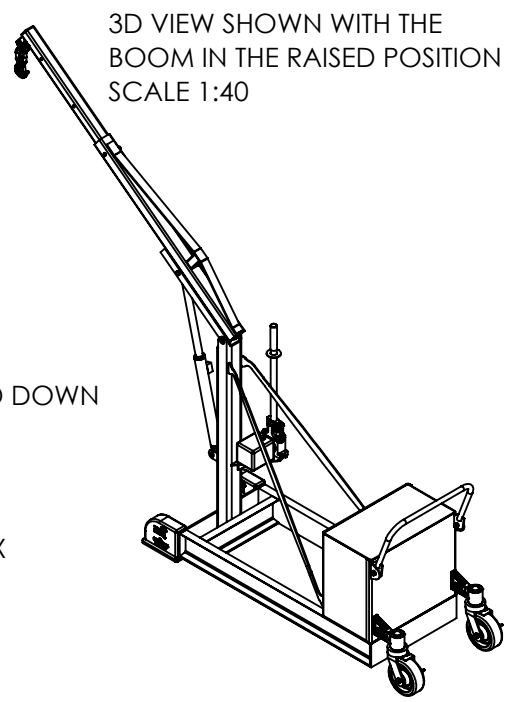
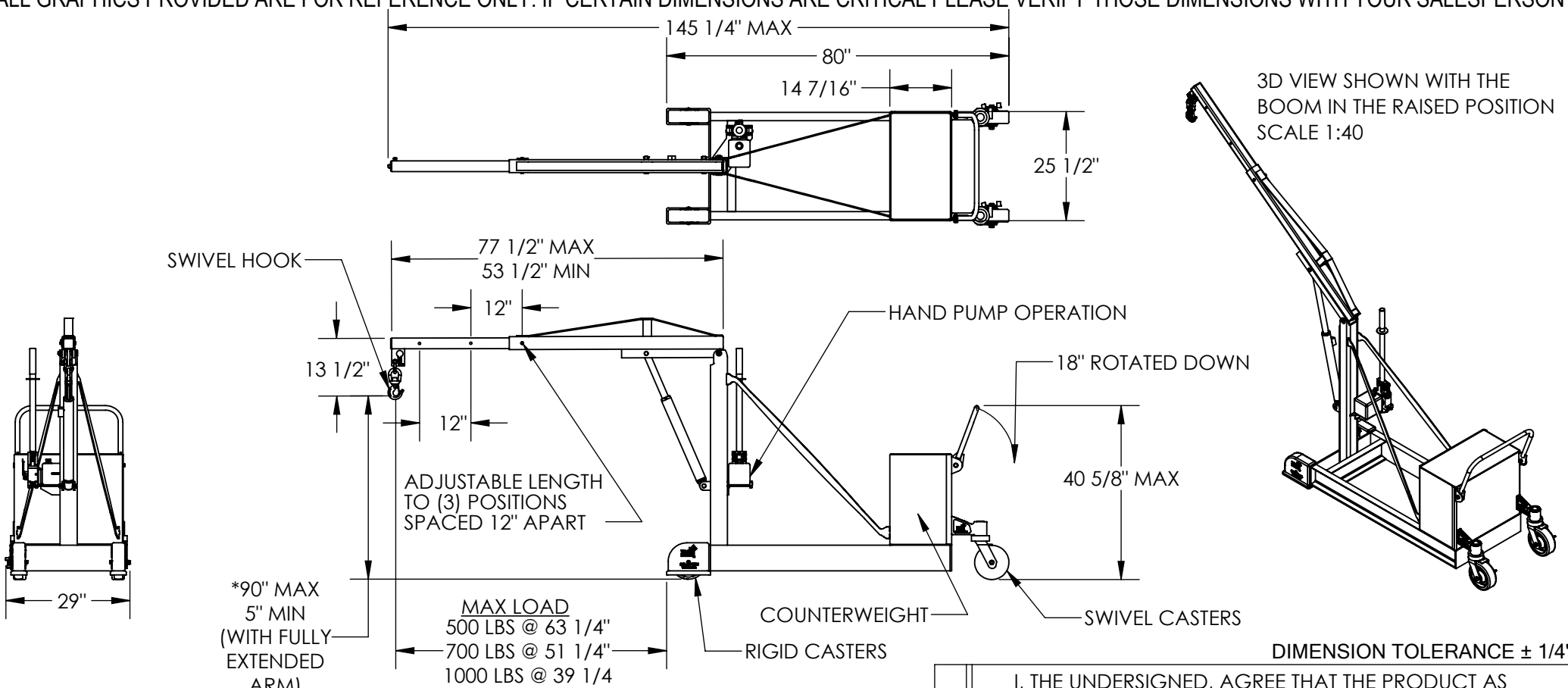


COUNTER BALANCED FLOOR CRANE - CBFC-1000

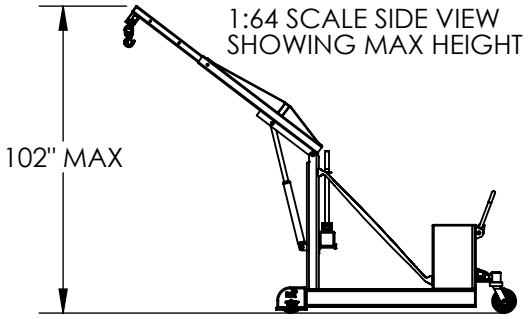
*** ANY ADDITIONS, DELETIONS, OR OMISSIONS MUST BE CORRECTED ON THIS DRAWING AS THIS DRAWING WILL BE CONSIDERED ALL INCLUSIVE ***
 ALL GRAPHICS PROVIDED ARE FOR REFERENCE ONLY. IF CERTAIN DIMENSIONS ARE CRITICAL PLEASE VERIFY THOSE DIMENSIONS WITH YOUR SALESPERSON



*WHEN BOOM IS FULLY RETRACTED AND THE CYLINDER IS FULLY RETRACTED HOOK HEIGHT IS 16 7/16"
 *WHEN BOOM IS FULLY RETRACTED AND THE CYLINDER IS FULLY EXTENDED HOOK HEIGHT IS 74 7/16"

STANDARD FEATURES

- MODEL NUMBER IS CBFC-1000
- OVERALL WIDTH IS 29"
- OVERALL LENGTH IS 145 1/4" MAX
- OVERALL HEIGHT IS 102" MAX
- MAX CAPACITY IS 1000 LBS
- HAND PUMP OPERATION
- UNIT IS DURABLE LIQUID PAINT BLUE FINISH
- INNER BOOM IS DURABLE LIQUID PAINT YELLOW FINISH
- APPROX. SHIPPING WEIGHT: 1,845 LBS



SPECIAL FEATURES
 NONE

APPROVAL

I, THE UNDERSIGNED, AGREE THAT THE PRODUCT AS REPRESENTED SATISFIES DESIGN AND DIMENSION REQUIREMENTS. I ALSO ACKNOWLEDGE MY DUTY TO CONFIRM PRODUCT AND INSTALLATION COMPLIANCE WITH ALL APPLICABLE FEDERAL, STATE AND LOCAL REGULATIONS AND STANDARDS.
UNITS REQUIRING APPROVAL DRAWINGS OR MODIFIED ARE NON-RETURNABLE
 As drawn As marked

Signed: _____ Date: _____

Printed Name: _____

LEAD TIME WILL START UPON RECEIPT OF SIGNED APPROVAL DRAWING

DISTRIBUTOR'S NAME:		P.O.#
VESTIL MANUFACTURING		X
DRAWN BY: MTS		W.O.#
DATE: 6/12/2013		X
REFERENCE: X	SCALE: 1:34	SALES: X
QUOTED LEAD TIME: X	QUOTE # X	FILE NAME:
		16-007-369

DIMENSION TOLERANCE ± 1/4"