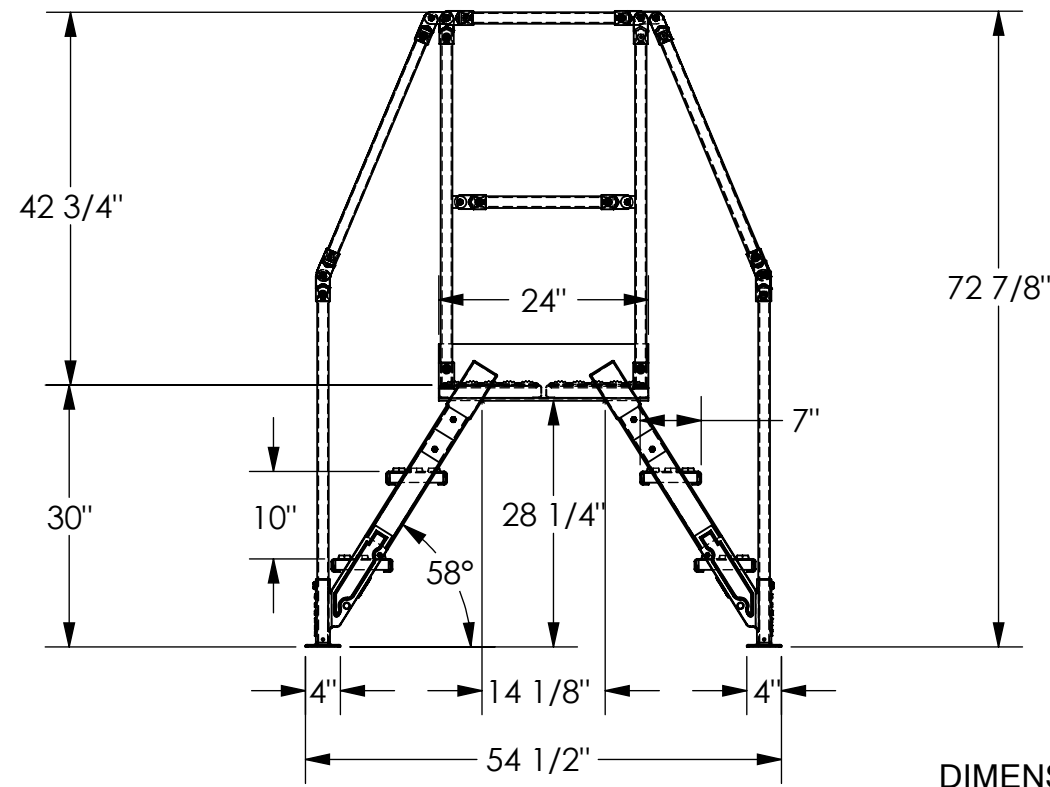
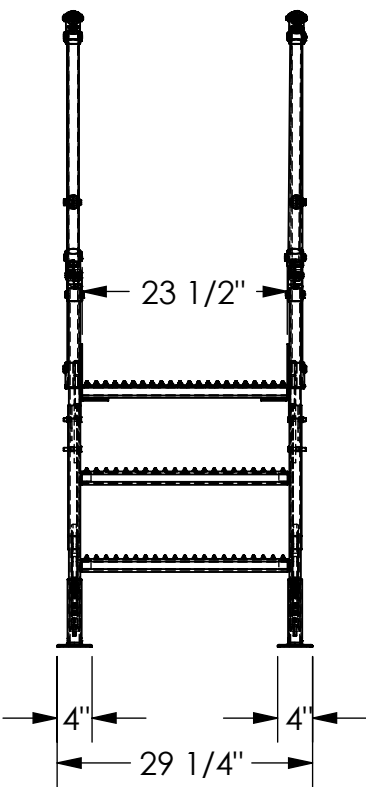


# CROSS-OVER LADDER - COL-3-26-14-HDG

APPROX WEIGHT: 257.11 lbs.  
DOES NOT INCLUDE WEIGHT OF POWER OR PACKAGING!!!

\*\*\* ANY ADDITIONS, DELETIONS, OR OMISSIONS MUST BE CORRECTED ON THIS DRAWING AS THIS DRAWING WILL BE CONSIDERED ALL INCLUSIVE \*\*\*

ALL GRAPHICS PROVIDED ARE FOR REFERENCE ONLY. IF CERTAIN DIMENSIONS ARE CRITICAL PLEASE VERIFY THOSE DIMENSIONS WITH YOUR SALESPERSON



DIMENSION TOLERANCE  $\pm 1/4$ "

## STANDARD FEATURES

## SPECIAL FEATURES

NONE

## NOTE

UNIT MUST BE ANCHORED TO THE FLOOR!!!  
Ø7/16" MOUNTING HOLES  
8 TOTAL MOUNTING HOLES PER STANDARD UNIT  
2 MOUNTING HOLES PER CORNER BRACKET

MODEL NUMBER: COL-3-26-14-HDG

OVERALL SIZE:

29 1/4" W x 54 1/2" L x 72 7/8" H

CLEARANCE SPAN:

14 1/8" W x 28 1/4" H

TOP PLATFORM HEIGHT: 30"

STEP HEIGHT SPACING: 10"

STEP DEPTH: 7"

STEP & PLATFORM WIDTH 23 1/2"

CLIMB ANGLE: 58°

ALL STEPS & PLATFORM ARE  
SERRATED STEEL

HOT DIPPED GALVANIZED FINISH

HANDRAILS ARE TOUGH BAKED IN POWDER COATED YELLOW FINISH

KNOCK-DOWN HANDRAILING

(UNIT SHIPS KNOCKED DOWN, ASSEMBLY REQUIRED)

**APPROVAL**

I, THE UNDERSIGNED, AGREE THAT THE PRODUCT AS REPRESENTED SATISFIES DESIGN AND DIMENSION REQUIREMENTS. I ALSO ACKNOWLEDGE MY DUTY TO CONFIRM PRODUCT AND INSTALLATION COMPLIANCE WITH ALL APPLICABLE FEDERAL, STATE AND LOCAL REGULATIONS AND STANDARDS.

**UNITS REQUIRING APPROVAL DRAWINGS OR MODIFIED ARE NON-RETURNABLE**

[ ] As drawn [ ] As marked

Signed: \_\_\_\_\_ Date: \_\_\_\_\_

Printed Name: \_\_\_\_\_

**LEAD TIME WILL START UPON RECEIPT OF SIGNED APPROVAL DRAWING**

DISTRIBUTOR'S NAME:		P.O.#
VESTIL MANUFACTURING		X
DRAWN BY: TJH		W.O.#
DATE: 10/11/2021		X
REFERENCE: X	SCALE: 1:22	SALES: X
QUOTED LEAD TIME: X	QUOTE #	FILE NAME:
	X	44-007-728