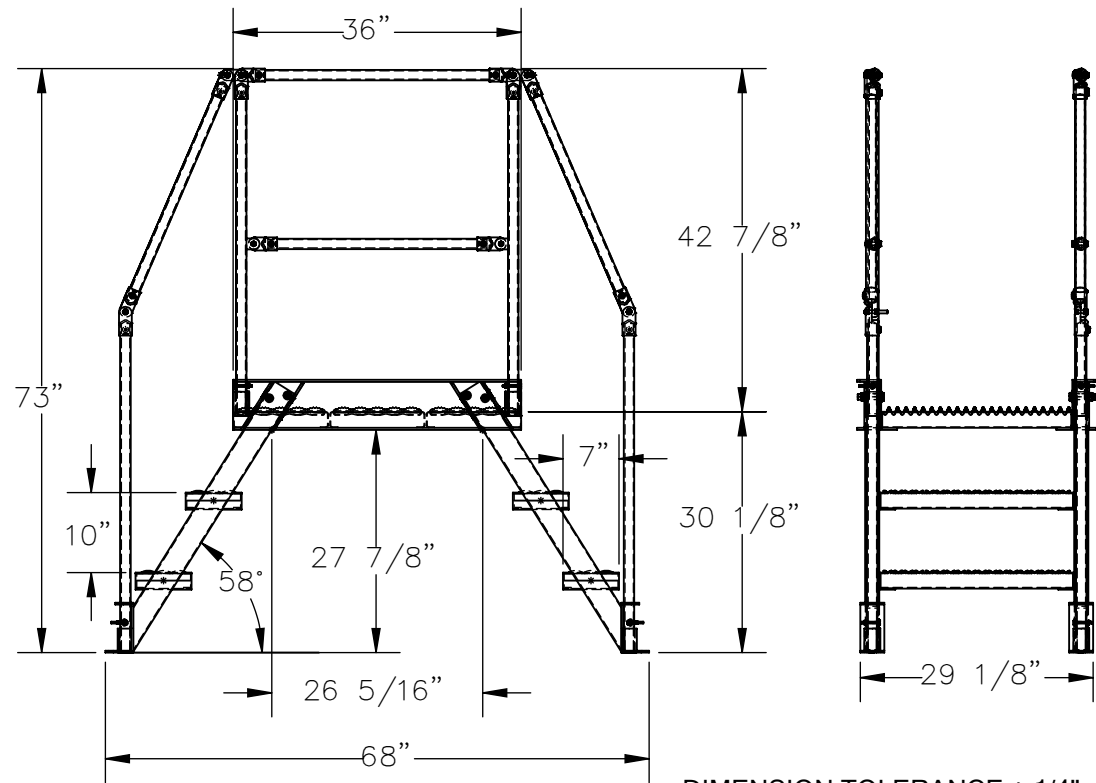
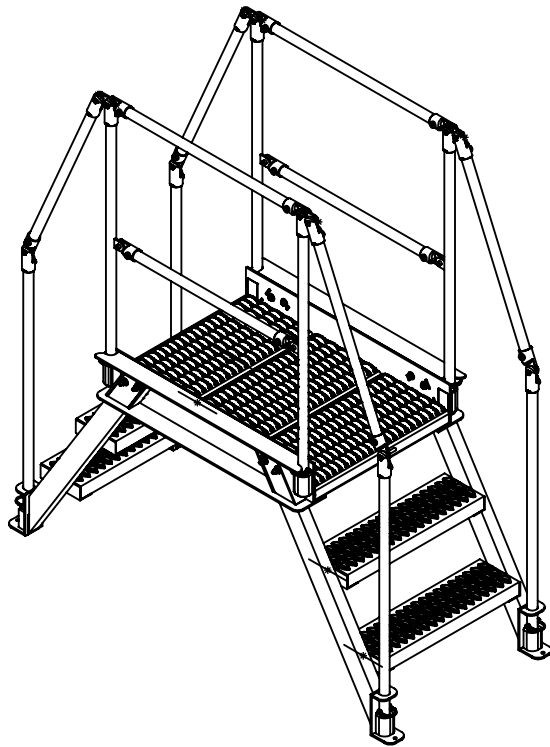


THREE STEP, ALUMINUM, CROSS OVER - COL-AL-3-26-23

APPROX WEIGHT: 137.04 lbs.
 DOES NOT INCLUDE WEIGHT OF POWER OR PACKAGING!!!

*** ANY ADDITIONS, DELETIONS, OR OMISSIONS MUST BE CORRECTED ON THIS DRAWING AS THIS DRAWING WILL BE CONSIDERED ALL INCLUSIVE ***

ALL GRAPHICS PROVIDED ARE FOR REFERENCE ONLY. IF CERTAIN DIMENSIONS ARE CRITICAL PLEASE VERIFY THOSE DIMENSIONS WITH YOUR SALESPERSON



DIMENSION TOLERANCE ± 1/4"

STANDARD FEATURES:

MODEL NUMBER: COL-AL-3-26-23

OVERALL SIZE

29 1/8" W x 68" L x 72 15/16" H

CLEARANCE SPAN:

26 5/16" W x 27 7/8" H

TOP PLATFORM HEIGHT: 30 1/8"

STEP HEIGHT SPACING: 10"

STEP DEPTH: 7"

STEP & PLATFORM WIDTH: 29 1/8"

CLIMB ANGLE: 58°

OVERALL CAPACITY: 500 LBS.

ALUMINUM CONSTRUCTION

HANDRAILS TOUGH BAKED IN

POWDER COATED YELLOW FINISH

SPECIAL FEATURES

NONE

APPROVAL

I, THE UNDERSIGNED, AGREE THAT THE PRODUCT AS REPRESENTED SATISFIES DESIGN AND DIMENSION REQUIREMENTS. I ALSO ACKNOWLEDGE MY DUTY TO CONFIRM PRODUCT AND INSTALLATION COMPLIANCE WITH ALL APPLICABLE FEDERAL, STATE AND LOCAL REGULATIONS AND STANDARDS.

UNITS REQUIRING APPROVAL DRAWINGS OR MODIFIED ARE NON-RETURNABLE

As drawn As marked

Signed: _____ Date: _____

Printed Name: _____

LEAD TIME WILL START UPON RECEIPT OF SIGNED APPROVAL DRAWING

| | | |
|------------------------|-------------|------------|
| DISTRIBUTOR'S NAME: | | P.O.# |
| VESTIL MANUFACTURING | | X |
| DRAWN BY: T. HARKRADER | | W.O.# |
| DATE: 8/25/21 | | X |
| REFERENCE: X | SCALE: 1:24 | SALES: X |
| QUOTED LEAD TIME: X | QUOTE # | FILE NAME: |
| | X | 44-007-770 |