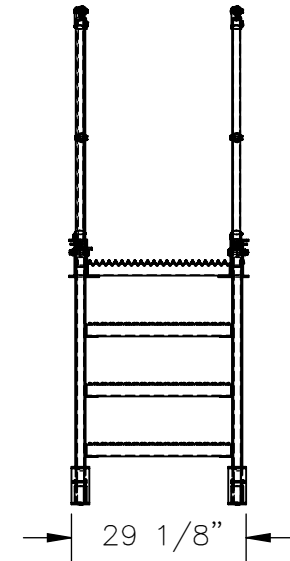
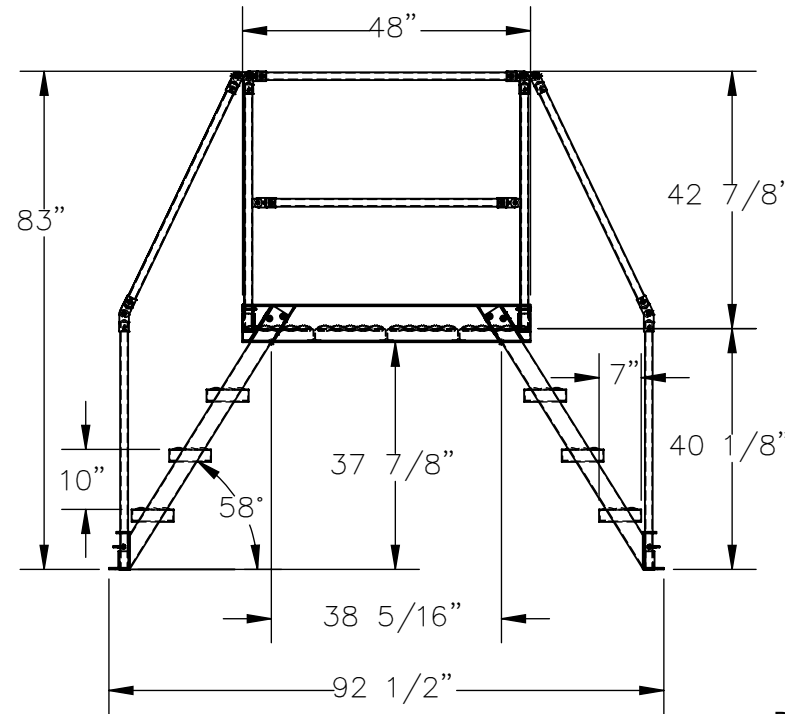
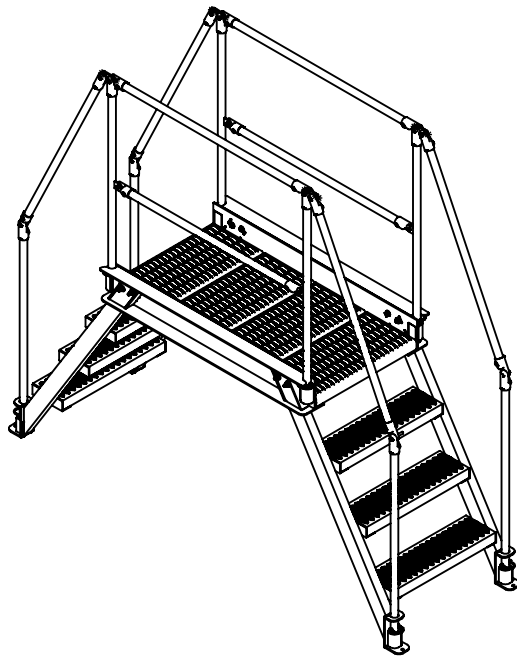


# FOUR STEP, ALUMINUM, CROSS OVER - COL-AL-4-36-33

APPROX WEIGHT: 170.58 lbs.  
 DOES NOT INCLUDE WEIGHT OF POWER OR PACKAGING!!!

\*\*\* ANY ADDITIONS, DELETIONS, OR OMISSIONS MUST BE CORRECTED ON THIS DRAWING AS THIS DRAWING WILL BE CONSIDERED ALL INCLUSIVE \*\*\*

ALL GRAPHICS PROVIDED ARE FOR REFERENCE ONLY. IF CERTAIN DIMENSIONS ARE CRITICAL PLEASE VERIFY THOSE DIMENSIONS WITH YOUR SALESPERSON



DIMENSION TOLERANCE  $\pm 1/4$ "

### STANDARD FEATURES:

MODEL NUMBER: COL-AL-4-36-33  
 OVERALL SIZE  
 29 1/8" W x 92 1/2" L x 82 15/16" H  
 CLEARANCE SPAN:  
 38 5/16" W x 37 7/8" H  
 TOP PLATFORM HEIGHT: 40 1/8"  
 STEP HEIGHT SPACING: 10"  
 STEP DEPTH: 7"  
 STEP & PLATFORM WIDTH: 29 1/8"  
 CLIMB ANGLE: 58°  
 OVERALL CAPACITY: 500 LBS.  
 ALUMINUM CONSTRUCTION  
 HANDRAILS TOUGH BAKED IN  
 POWDER COATED YELLOW FINISH

### SPECIAL FEATURES:

NONE

APPROVAL

I, THE UNDERSIGNED, AGREE THAT THE PRODUCT AS REPRESENTED SATISFIES DESIGN AND DIMENSION REQUIREMENTS. I ALSO ACKNOWLEDGE MY DUTY TO CONFIRM PRODUCT AND INSTALLATION COMPLIANCE WITH ALL APPLICABLE FEDERAL, STATE AND LOCAL REGULATIONS AND STANDARDS.  
**UNITS REQUIRING APPROVAL DRAWINGS OR MODIFIED ARE NON-RETURNABLE**

As drawn       As marked

Signed: \_\_\_\_\_ Date: \_\_\_\_\_

Printed Name: \_\_\_\_\_

LEAD TIME WILL START UPON RECEIPT OF SIGNED APPROVAL DRAWING

DISTRIBUTOR'S NAME:		P.O.#
VESTIL MANUFACTURING		X
DRAWN BY: T. HARKRADER	DATE: 8/25/21	W.O.#
REFERENCE: X	SCALE: 1:32	X
QUOTED LEAD TIME: X	QUOTE #	FILE NAME:
	X	44-007-775