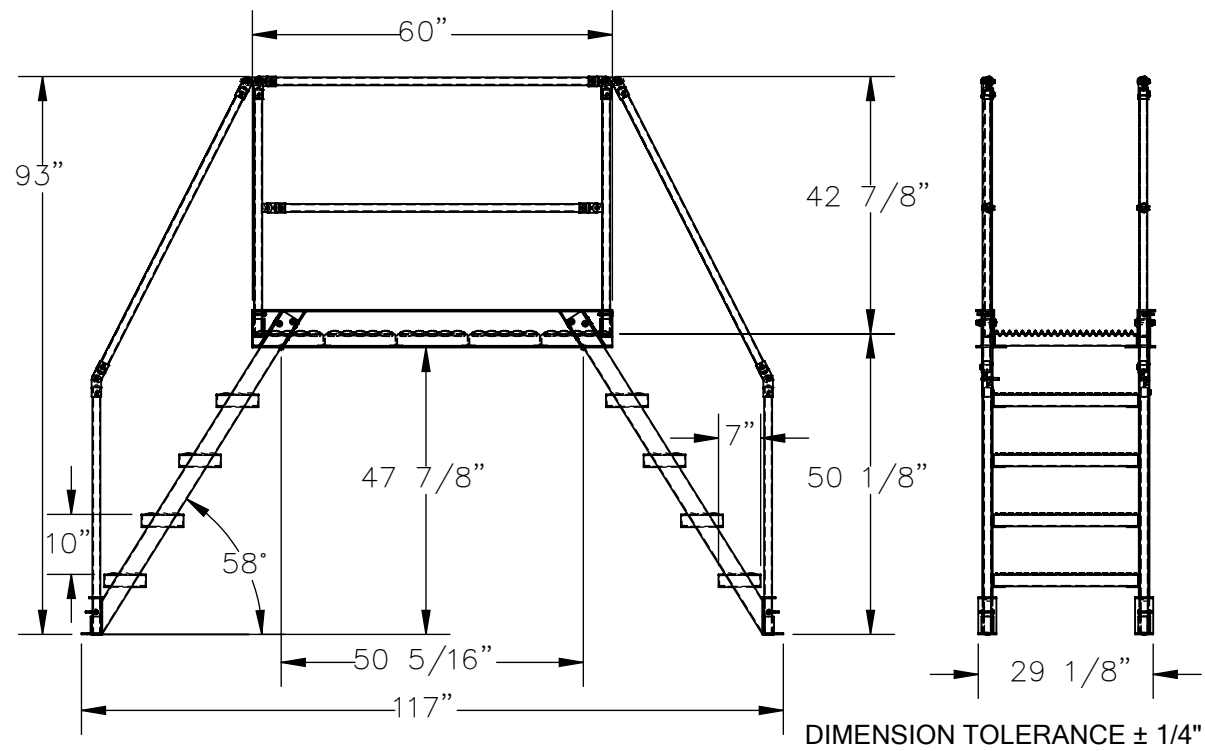
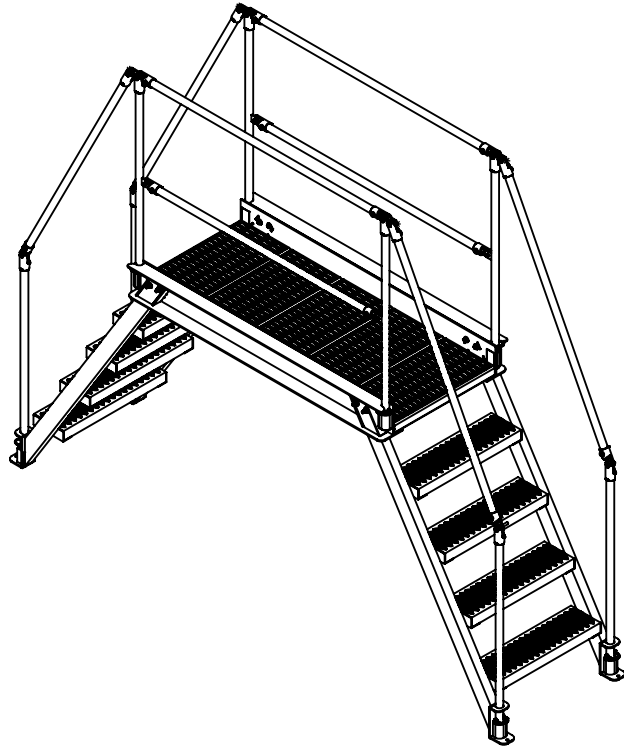


FIVE STEP, ALUMINUM, CROSS OVER - COL-AL-5-46-44

APPROX WEIGHT: 204.14 lbs.
 DOES NOT INCLUDE WEIGHT OF POWER OR PACKAGING!!!

*** ANY ADDITIONS, DELETIONS, OR OMISSIONS MUST BE CORRECTED ON THIS DRAWING AS THIS DRAWING WILL BE CONSIDERED ALL INCLUSIVE ***
 ALL GRAPHICS PROVIDED ARE FOR REFERENCE ONLY. IF CERTAIN DIMENSIONS ARE CRITICAL PLEASE VERIFY THOSE DIMENSIONS WITH YOUR SALESPERSON



DIMENSION TOLERANCE ± 1/4"

STANDARD FEATURES:

- MODEL NUMBER: COL-AL-5-46-44
- OVERALL SIZE
29 1/8" W x 117" L x 92 15/16" H
- CLEARANCE SPAN:
50 5/16" W x 47 7/8" H
- TOP PLATFORM HEIGHT: 50 1/8"
- STEP HEIGHT SPACING: 10"
- STEP DEPTH: 7"
- STEP & PLATFORM WIDTH: 29 1/8"
- CLIMB ANGLE: 58°
- OVERALL CAPACITY: 500 LBS.
- ALUMINUM CONSTRUCTION
- HANDRAILS TOUGH BAKED IN
POWDER COATED YELLOW FINISH

SPECIAL FEATURES:

NONE

APPROVAL	I, THE UNDERSIGNED, AGREE THAT THE PRODUCT AS REPRESENTED SATISFIES DESIGN AND DIMENSION REQUIREMENTS. I ALSO ACKNOWLEDGE MY DUTY TO CONFIRM PRODUCT AND INSTALLATION COMPLIANCE WITH ALL APPLICABLE FEDERAL, STATE AND LOCAL REGULATIONS AND STANDARDS.	
	UNITS REQUIRING APPROVAL DRAWINGS OR MODIFIED ARE NON-RETURNABLE	
	[] As drawn	[] As marked
	Signed: _____ Date: _____	
Printed Name: _____		
LEAD TIME WILL START UPON RECEIPT OF SIGNED APPROVAL DRAWING		

DISTRIBUTOR'S NAME:		P.O.#
VESTIL MANUFACTURING		X
		W.O.#
DRAWN BY: T. HARKRADER		X
DATE: 8/25/21	SCALE: 1:32	FILE NAME:
REFERENCE: X	QUOTE #	44-007-776
QUOTED LEAD TIME: X	X	