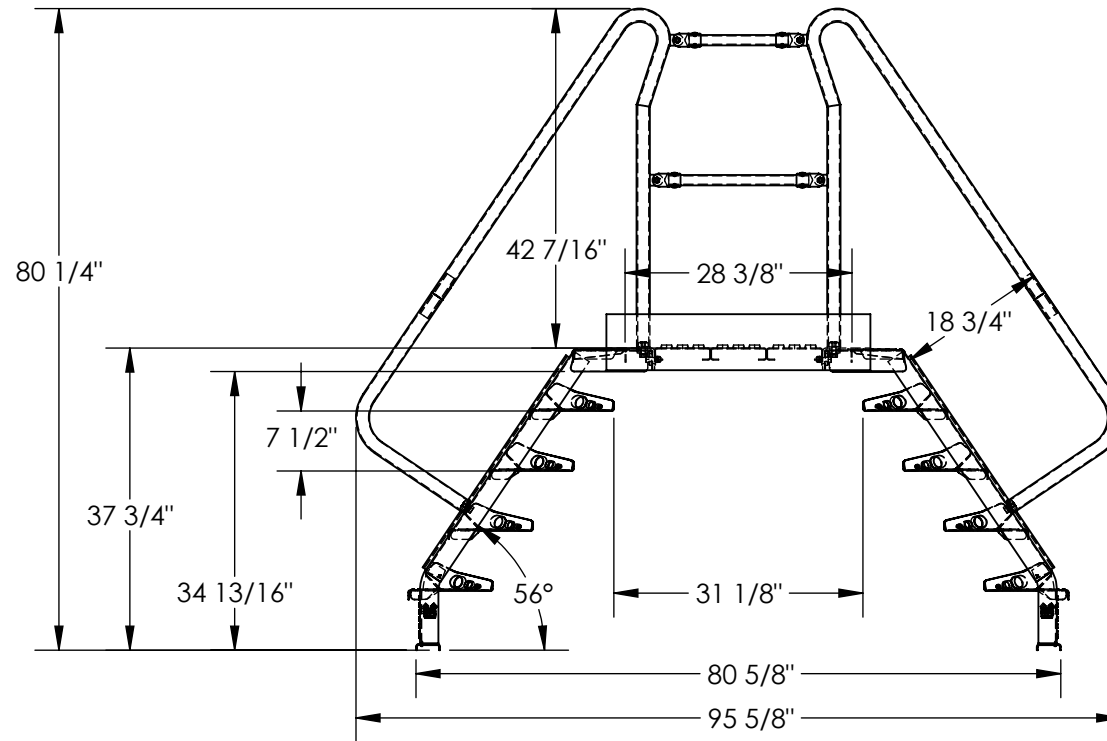
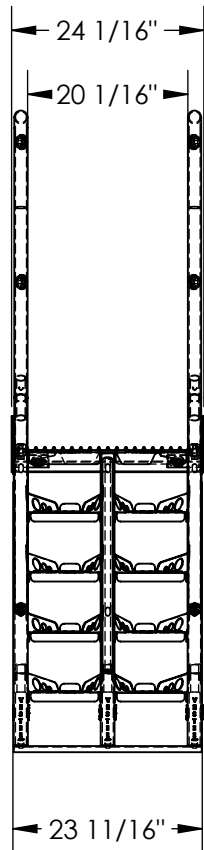


# ALTERNATING STEP CROSS-OVER LADDER - COLA-3-56-32

APPROX WEIGHT: 298.86 lbs.  
DOES NOT INCLUDE WEIGHT OF POWER OR PACKAGING!!!

\*\*\* ANY ADDITIONS, DELETIONS, OR OMISSIONS MUST BE CORRECTED ON THIS DRAWING AS THIS DRAWING WILL BE CONSIDERED ALL INCLUSIVE \*\*\*

ALL GRAPHICS PROVIDED ARE FOR REFERENCE ONLY. IF CERTAIN DIMENSIONS ARE CRITICAL PLEASE VERIFY THOSE DIMENSIONS WITH YOUR SALESPERSON



DIMENSION TOLERANCE ± 1/4"

## STANDARD FEATURES

- MODEL NUMBER IS COLA-3-56-32
- OVERALL WIDTH IS 24 1/16"
- OVERALL LENGTH IS 95 5/8"
- OVERALL HEIGHT IS 80 1/4"
- MAX CAPACITY IS 350 LBS
- PLATFORM HEIGHT IS 37 3/4"
- PLATFORM WIDTH IS 23 11/16"
- USABLE PLATFORM WIDTH IS 20 1/16"
- PLATFORM LENGTH IS 28 3/8"
- STEP HEIGHT SPACING IS 7 1/2"
- CLIMB ANGLE IS 56°
- CLEARANCE WIDTH IS 31 1/8"
- CLEARANCE HEIGHT IS 34 13/16"
- KNOCK-DOWN DESIGN**  
(UNIT SHIPS KNOCKED-DOWN, ASSEMBLY REQUIRED)
- UNIT MUST BE ANCHORED TO THE FLOOR!  
(ANCHORING HARDWARE NOT INCLUDED)
- TOUGH BAKED IN POWDER COATED YELLOW FINISH

## SPECIAL FEATURES

NONE

APPROVAL	I, THE UNDERSIGNED, AGREE THAT THE PRODUCT AS REPRESENTED SATISFIES DESIGN AND DIMENSION REQUIREMENTS. I ALSO ACKNOWLEDGE MY DUTY TO CONFIRM PRODUCT AND INSTALLATION COMPLIANCE WITH ALL APPLICABLE FEDERAL, STATE AND LOCAL REGULATIONS AND STANDARDS.	
	ANY MODIFIED UNITS ARE NON-RETURNABLE	
	[ ] As drawn      [ ] As marked	
Signed: _____ Date: _____		
Printed Name: _____		
LEAD TIME WILL START UPON RECEIPT OF SIGNED APPROVAL DRAWING		

FOR INTERNAL USE ONLY PROJECT SIGN OFF	
SALES	
ENG.	
FAB.	
POWER	

DISTRIBUTOR'S NAME:		P.O.#
VESTIL MANUFACTURING		X
DRAWN BY: KGH		DATE: 1/11/2017
REFERENCE: X		SALES: X
QUOTED LEAD TIME: X		SCALE: 1:24
QUOTE # X		FILE NAME: 44-007-635