

User's Manual for ERGONOMIC WORKER SEAT

Model CPRO-200



Instructions for Safe Use of the ERGONOMIC WORKER SEAT



Do not use this product as a stepladder or any other purpose than chair. The chair may fall causing injury and damage.



The seat can be removed and adjusted to the desired height. Be careful not to drop seat when adjusting.



Do not place your fingers and hands when you handle the chair. You may catch your fingers and hands in these moving areas causing injury.



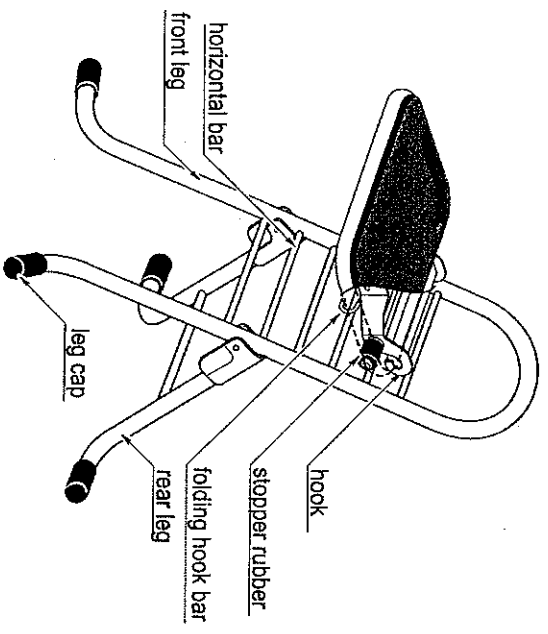
Do not place any objects, especially hot liquids, on the seat of the chair. The seat may move causing the object to fall, leading to possible injury and burns.

Do not use this chair in an unstable position such as leaning while seated. It may fall down causing injury and damage.

If you use this chair on floor, it may cause damage scratching the floor. Place a rug or mat under the chair to prevent damage and scratching to the floor. The leg caps can wear. If you see any cracking or damage to the leg caps, replace them.

Incorrect operation or inappropriate use of the chair might cause bodily injury or damage. Be careful when allowing children to use the chair.

Instructions to Adjust Seat Height and Fold Chair

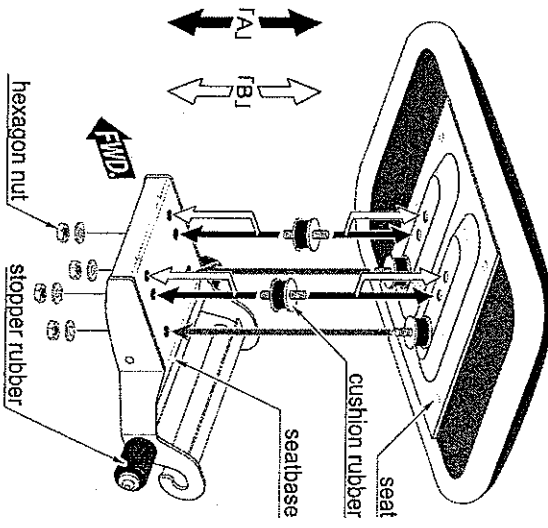


To adjust seat height, hang both right and left hooks on the horizontal bar located on the main frame. Make sure that both right and left stopper rubbers are positioned against the main frame.

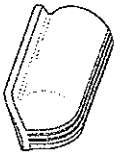
To fold chair, pull out the hook bar on the underside of seat and hang on horizontal bar of chair and fold rear leg to frame.

Instructions to adjust tilting range of seat

Tilting range can be adjusted in 2 levels.
When the chair is shipped, the seat is adjusted in level [A].
[A]=wide tilting range The distance from rear cushion rubber is short
[B]=small tilting range The distance from rear cushion rubber is long.



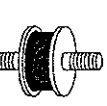
1. Remove the four hexagon nuts located on the underside of seat. This allows separation of the seat and the seatbase. When unscrewing nuts, hold the cushion rubber with a spanner to prevent the cushion rubber rotating.
2. Unscrew the 2 front cushion rubbers anti-clockwise, and remove them from the seat.
3. Replace the cushion rubbers to the desired position [A] or [B], and screw in the cushion rubbers.
4. Screw in the hexagon nuts to secure the seat on the seatbase. When screwing in hexagon nuts, hold the cushion rubber with a spanner to prevent the cushion rubber distorting.



leg cap
4 pcs./set



stopper rubber,
2 pcs./set



cushion rubber
4 pcs./set