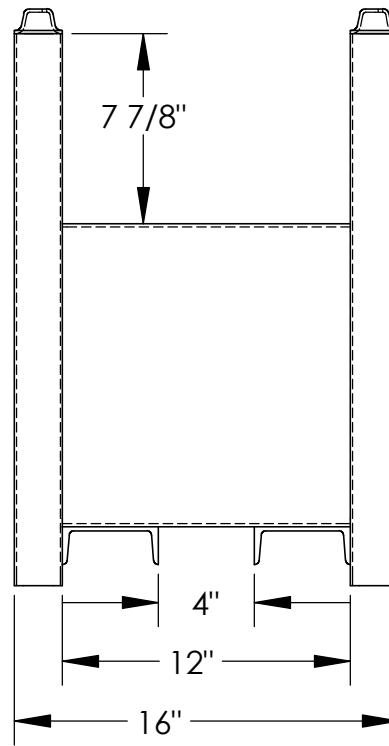
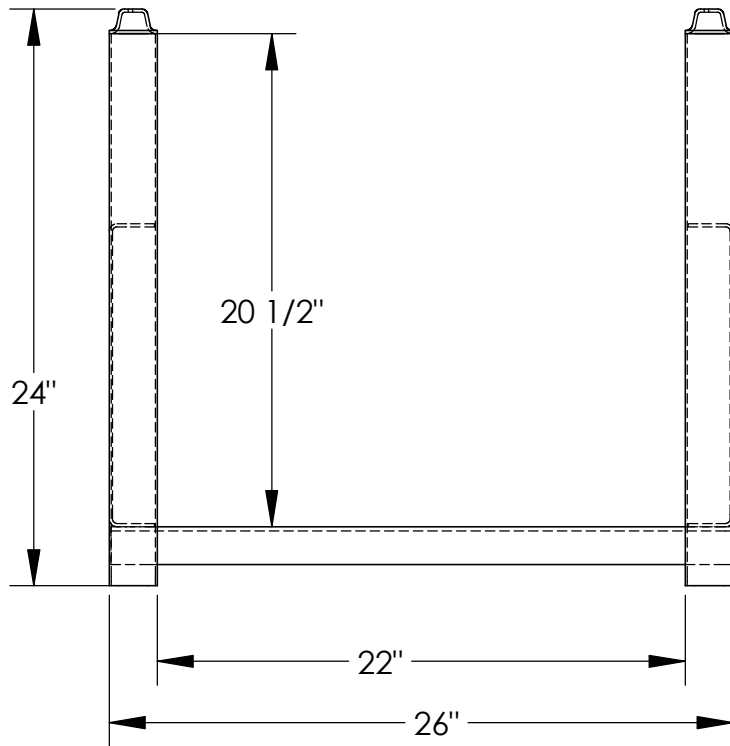


STACKABLE BAR CRADLE - CRAD-75

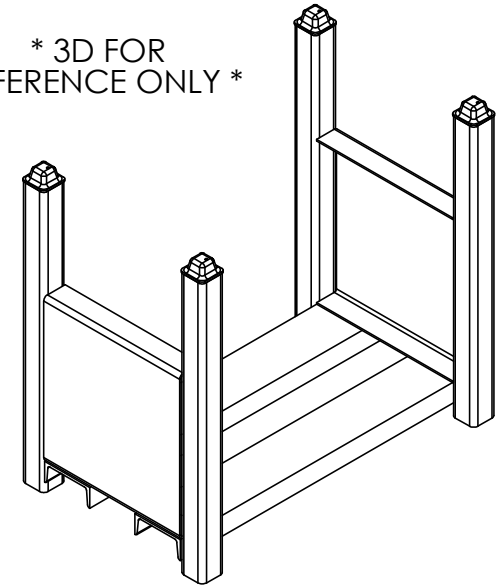
APPROX WEIGHT: 51.81 lbs.
 DOES NOT INCLUDE WEIGHT OF POWER OR PACKAGING!!!

*** ANY ADDITIONS, DELETIONS, OR OMISSIONS MUST BE CORRECTED ON THIS DRAWING AS THIS DRAWING WILL BE CONSIDERED ALL INCLUSIVE ***

ALL GRAPHICS PROVIDED ARE FOR REFERENCE ONLY. IF CERTAIN DIMENSIONS ARE CRITICAL PLEASE VERIFY THOSE DIMENSIONS WITH YOUR SALESPERSON



* 3D FOR REFERENCE ONLY *



DIMENSION TOLERANCE ± 1/4"

STANDARD FEATURES

MODEL # - CRAD-75
 CAPACITY OF EACH- 3,750 LBS.
 CAPACITY PER PAIR- 7,500 LBS. (UNITS ARE SOLD EACH)
 WIDTH - 16"
 LENGTH - 26"
 OVERALL HEIGHT - 24"
 INSIDE HEIGHT- 20 1/2"

SPECIAL FEATURES

NONE

APPROVAL	I, THE UNDERSIGNED, AGREE THAT THE PRODUCT AS REPRESENTED SATISFIES DESIGN AND DIMENSION REQUIREMENTS. I ALSO ACKNOWLEDGE MY DUTY TO CONFIRM PRODUCT AND INSTALLATION COMPLIANCE WITH ALL APPLICABLE FEDERAL, STATE AND LOCAL REGULATIONS AND STANDARDS.	
	ANY MODIFIED UNITS ARE NON-RETURNABLE	
	<input type="checkbox"/> As drawn	<input type="checkbox"/> As marked
	Signed: _____	Date: _____
	Printed Name: _____	
LEAD TIME WILL START UPON RECEIPT OF SIGNED APPROVAL DRAWING		

FOR INTERNAL USE ONLY PROJECT SIGN OFF	
SALES	
ENG.	
FAB.	
POWER	

DISTRIBUTOR'S NAME:		P.O.#
VESTIL MANUFACTURING		X
DRAWN BY: KY		DATE: 01/28/2005
REFERENCE: X		SCALE: 1:48
QUOTED LEAD TIME: X		QUOTE # X
		FILE NAME: 31-007-042