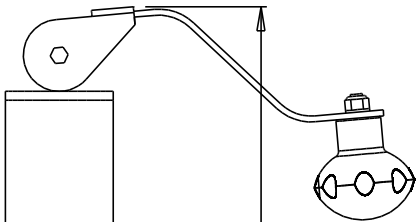
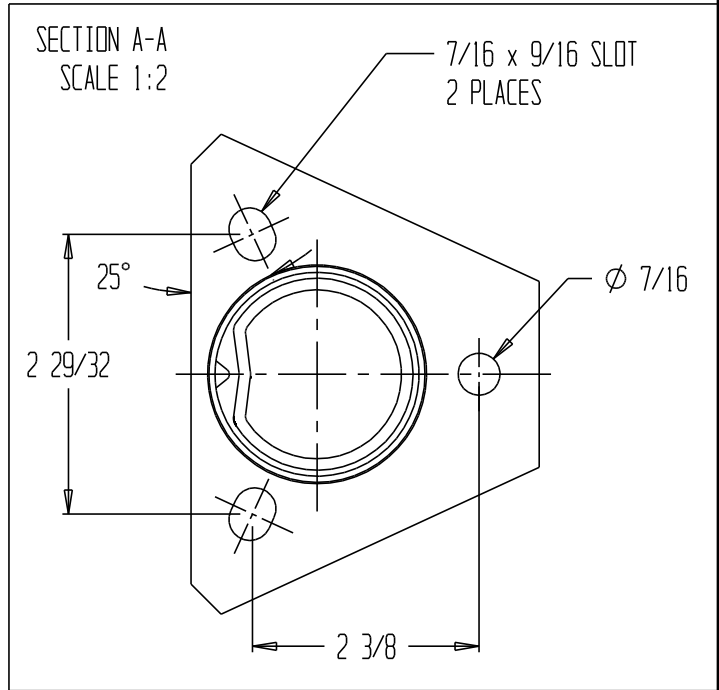
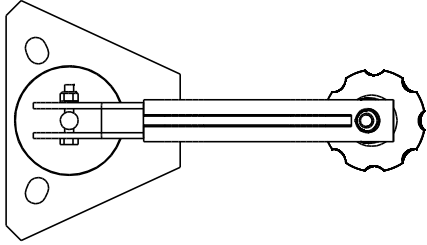
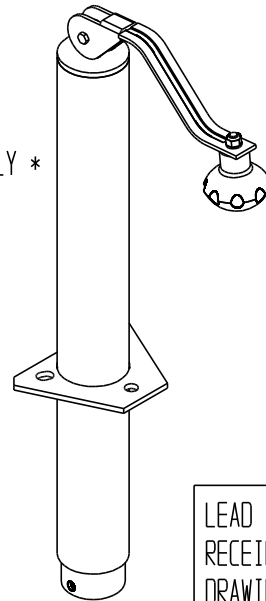


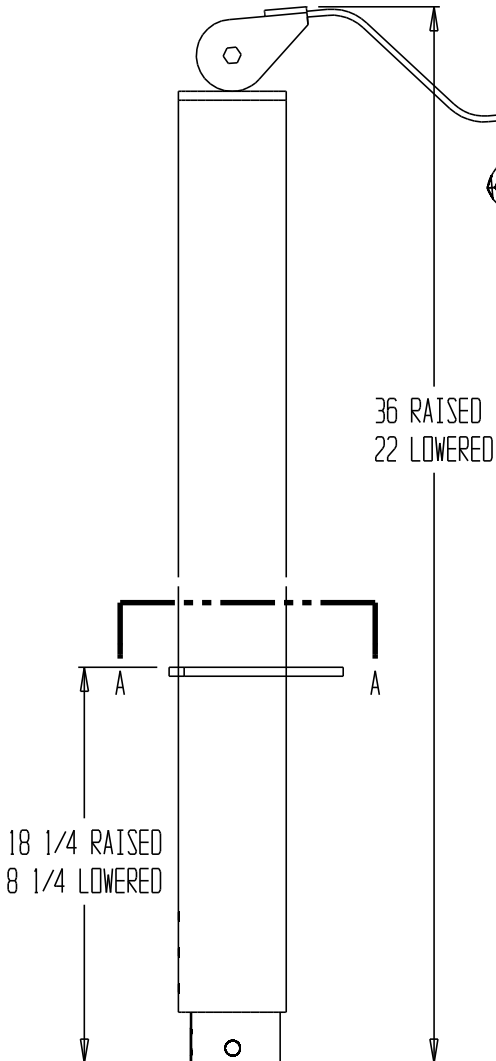
CRANK TRAILER JACK - CT-02



* 3D VIEW FOR REFERENCE ONLY *
* SCALE: 1:6 *



LEAD TIME WILL START UPON
RECEIPT OF SIGNED APPROVAL
DRAWING



STANDARD FEATURES

MODEL NUMBER: CT-02
CAPACITY: 2,000 LBS.
LIFT RANGE: 14"

SPECIAL FEATURES

NONE

**SPECIAL UNITS ARE NON-RETURNABLE
*AVAILABLE AT ADDITIONAL COSTS

APPROVAL

I, the undersigned, hereby approve this print
 As drawn As marked
 This includes my approval of design & dimensions.
 Signed: _____
 Date: _____

DISTRIBUTOR'S NAME: VESTIL MANUFACTURING		P.O.#: -
DRAWN BY: KY		W.O.#: -
DATE: 2/25/05	SALES: -	
REFERENCE: -	SCALE: 1:4	DRWG./FILE NAME: 13-007-024