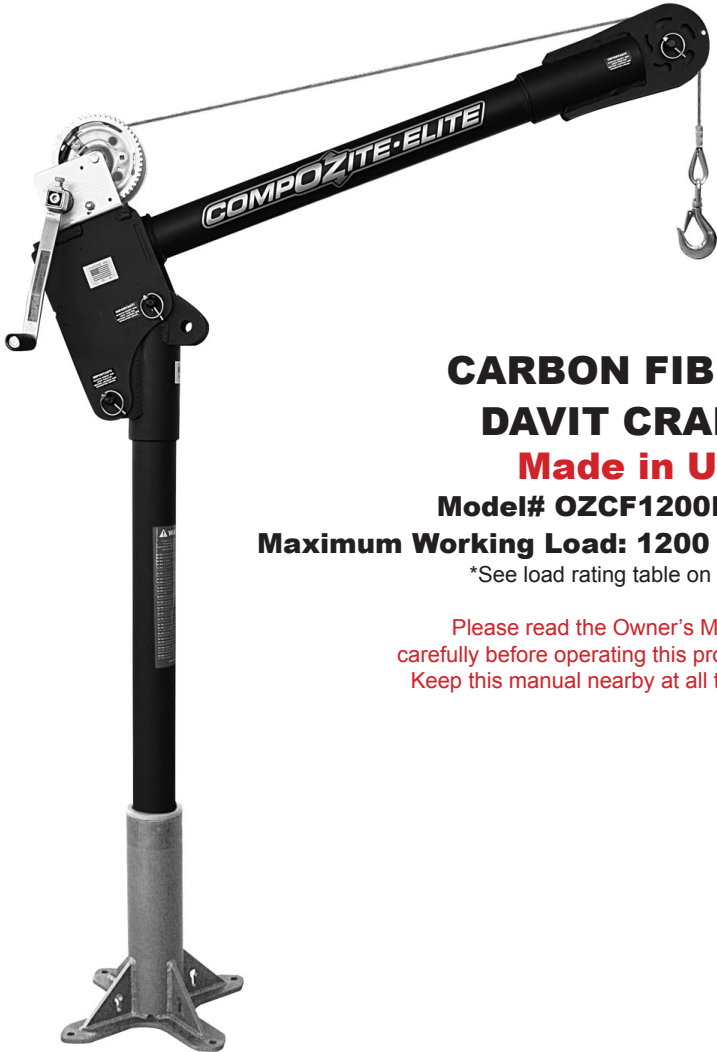


**EN**



# OPERATOR'S MANUAL

## **COMPOSITE-ELITE**



### **CARBON FIBER DAVIT CRANE**

**Made in USA**

**Model# OZCF1200DAV**

**Maximum Working Load: 1200 lbs.**

\*See load rating table on pg.14

Please read the Owner's Manual  
carefully before operating this product.  
Keep this manual nearby at all times.



5455 W. 6th St.  
P.O. Box 845  
Winona, MN 55987  
Phone (800) 749-1064  
(507) 474-6250  
Fax (507) 452-5217  
sales@ozliftingproducts.com  
www.ozliftingproducts.com

# Table of Contents

Pg. 3	One Year Warranty
Pg. 4	Product Precautions
Pg. 5	Safety Warnings
Pg. 6	Initial Crane Inspection / Installing the Base
Pg. 7	Assembling the Crane
Pg. 8	Assembly Diagram / Field test
Pg. 9	Installing the Cable
Pg. 10	Operating the Crane / Operating Guidelines
Pg. 11	Cleaning & Lubricating the Crane / Inspecting the Crane
Pg. 12	Inspecting the Crane
Pg. 13	Inspection Chart / Repairs
Pg. 14	Load Ratings / Troubleshooting Chart

# ONE YEAR WARRANTY

OZ Lifting Products LLC® guarantees this product to be free of defects in materials and workmanship for one year from the date of shipment.

This warranty does not apply to products that show signs of misuse, overloading, alteration, improper maintenance or negligence. The normal wear and tear of moving parts is excluded from the warranty. Moving parts are defined as brake discs, wire rope and other wear components that are subject to use conditions. This warranty does not cover any costs related to removal of this product, lost time, or any other incidental or consequential damages/costs resulting from the claimed defects.

If this product fails during the first year of operation due to defective materials or workmanship, it will be repaired or replaced at the discretion of OZ Lifting Products LLC®. Any product subject to a warranty claim must be returned, prepaid, to an authorized OZ Lifting Products LLC® warranty depot along with proof of purchase. Upon repair, the product will be returned to the customer free of charge. If no defect is found, the customer will be responsible for return shipping costs. The product's warranty will be effective for the remainder of the original warranty period (one year from shipment date).

OZ Lifting Products LLC® will not be held liable for the following arising from the use of this product: injuries to persons or property, death, incidental, consequential, or contingent damages, whether negligent or deliberate. It is the sole responsibility of the owner to install and operate the product properly and safely.

This is OZ Lifting Products LLC®'s only written warranty. This warranty is in lieu of all other warranties implied by law such as merchantability and fitness. The sale of products from OZ Lifting Products LLC® under any other warranty or guarantee, expressed or implied, is not authorized.

NOTE: OZ Lifting Products LLC® has the right to alter the design of or discontinue the production of any product without prior notice.

**For more information please contact:**



5455 W 6th St.  
P.O. Box 845  
Winona, MN 55987  
Phone (800) 749-1064  
(507) 474-6250  
Fax (507) 452-5217  
sales@ozliftingproducts.com  
www.ozliftingproducts.com

# Product Precautions

The information in this manual should be used only for the **CompOZite-Elite Davit Crane**. This manual contains general instructions for normal installation, operation, and maintenance of the product described herein. The information provided should not be expected to prepare the user for all possible circumstances.

This product should not be installed, operated, or maintained by any person who has not read all the contents of this manual. Failure to read and comply with these instructions, warnings, or limitations may result in bodily injury, death, or property damage.

It is the responsibility of the owner/user to install, test, maintain, and operate this product in accordance with OSHA regulations as well as all other federal, state, and local regulations. Only trained and qualified personnel shall operate and maintain this product.

Regularly inspect **CompOZite-Elite Davit Crane** for signs of wear, elongation of holes, surface cracks, gouges, damage or any abnormal conditions.

Product owners should schedule and keep record of regular inspection and maintenance. Record your **CompOZite-Elite Davit Crane** serial number and purchase date on the front cover of this manual for reference.

Do not use the **CompOZite-Elite Davit Crane** in conjunction with other equipment unless the necessary safety devices are in place. Modifications to this product should only be authorized by the original manufacturer.



# Safety Warnings

Failure to read and comply with the following warnings may result in a hazardous situation that could lead to death, serious injury, or property damage. Keep this manual near the equipment at all times. Do not remove, alter, or obscure the labels attached to the winch. Contact OZ Lifting Products LLC® for replacement manuals and labels.

**Do Not** operate a damaged or malfunctioning product.

**Do Not** operate if guards are improperly installed or removed.

**Do Not** lift more than the rated load of the crane or its attached components.

**NOTE:** Under a severe overload condition, an audible cracking sound from the crane may be heard. This is cause for an immediate removal of the load from the crane, inspection of all components, and possible crane replacement.

**Do Not** use additional cranes to move a load that is heavier than the load rating of any single crane in use.

**Do Not** modify this product in any way.

**Do Not** use for other functions except those for which this product is intended.

**Do Not** remove, deface, or obscure warning labels.

**Do Not** allow load to swing or jerk. Operate smoothly to avoid shock loads.

**Do Not** lift any load that is not located directly below the crane. This product is not intended to drag a load sideways.

**Do Not** wrap the load with the wire rope. Use only a sling or another manufacturer-approved device.

**Do Not** operate without 4 anchor wraps (8 anchor wraps for Dyneema based synthetic cables) of wire rope around the winch drum.

**Do Not** operate without assuring wire rope is securely attached to the winch drum.

**Do Not** operate without checking for proper lubrication.

**Do Not** put hands in areas with moving parts such as sheaves, wire ropes, and gears.

**Do Not** lift people.

**Do Not** lift loads over people.

**Do Not** operate until personnel are warned of approaching loads and are cleared from the area.

**Do Not** leave a suspended load unattended.

**Do Not** substitute smaller diameter pins. Use only the pins supplied with the crane.

**Do Not** operate or store the crane in an environment that exceeds 120 degrees Fahrenheit.

**Do Not** use chains, cables, or rigid devices to lift crane. Nylon or other synthetic slings should be used instead.



# Initial Crane Inspection

Check for damage during shipment. Do not install or use a damaged product. Be sure to maintain records of product information and contact your OZ Lifting Products LLC® dealer with any problems that arise.

Refer to applicable codes and regulations before installing equipment. Contact a qualified professional to obtain structure and foundation specifications for product mounting.

**Before installing, select a location where the crane is:**

- Visible throughout its entire operation.
- Free of traffic and any possible operational interference.
- Positioned so the operator is clear of both the load and the path of the wire rope.
- Accessible for maintenance.
- Attached to a strong, level foundation that can properly support it under all conditions.
- Removed from any corrosive, flammable, explosive, or potentially damaging materials.

Please refer to the diagram on pg. 8 before assembling the crane.

Inspect the crane to assure there are no missing or damaged parts. Do not discard the crane's shipping containers as they can be reused if the crane needs to be repackaged. Contact you OZ Lifting Products LLC® dealer if any problems arise.

Assure that all components, including the pin that the load sheave rides on, are properly lubricated before assembling. Refer to Cleaning & Lubricating the Crane on pg. 11.

During assembly, perform an inspection according to the procedures found on pgs. 11, 12 and 13 on this document and resolve any issues. This will provide a comparison for later inspections.

## Installing the Base

**NOTE:** The accompanying base for the **CompOZite-Elite Davit Crane** is sold separately through OZ Lifting Products LLC® dealers. It is necessary for proper operation of this product.

The base must be securely fastened to the foundation using ½-13-inch coarse thread fasteners of at least grade 5. A torque of 75 ft-lb should be used for grade 5 fasteners without lubrication.

Assure that mounting surface is located directly above a strong, level, solid foundation that supports the crane under all circumstances.

Non-standard products that have been altered from the original design may require alternative fastening requirements. Contact your OZ Lifting Products LLC® dealer for more information.

# Assembling the Crane

## Assembly

**NOTE:** Fasteners should not be over-tightened during assembly as this may strip the threads and lead to damage. For the purpose of assembly, three clevis pins, marked 1 and 2, are included. The two pins marked #2 are identical. Both are necessary for assembly.

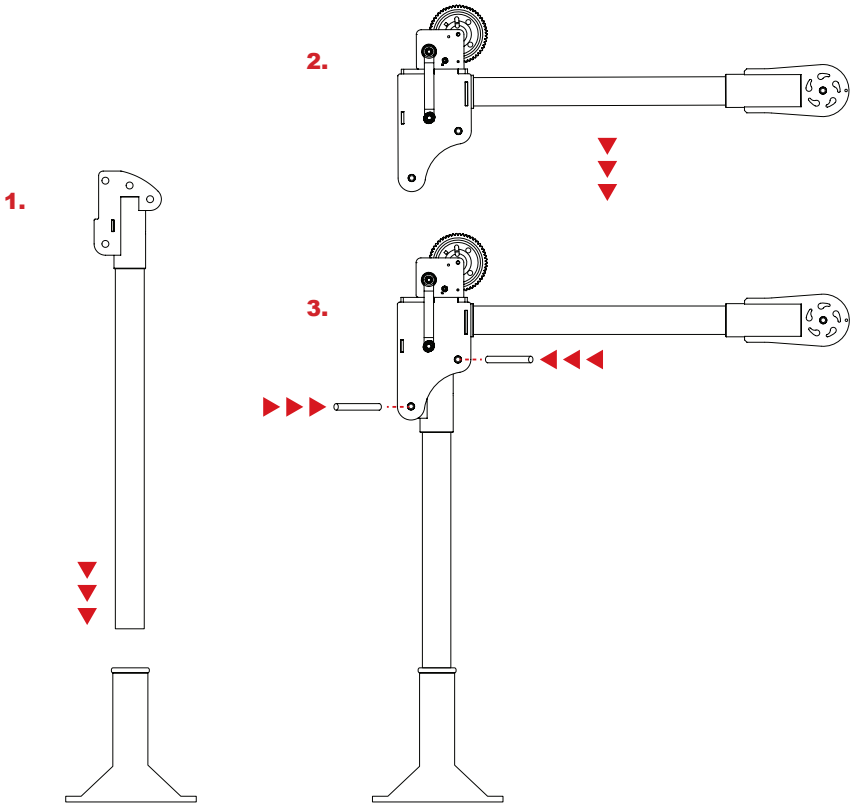
Once the OZ Lifting Products LLC® base has been installed, assemble the crane with the following steps:

1. Remove the lynch pin from the number 2 pin being utilized as a hinge and remove the pin from mast/boom assembly. This will free the mast from the boom.
2. Install the mast into the base. **NOTE** – the mast/boom assembly is free to move. The mast will slide easily down into the base (no tools are necessary). Assure that the mast is properly positioned on the pin at the bottom of the base. This can be confirmed by moving the mast from side to side to check for excessive play. The mast should fit snugly.
3. Remove the lynch pin from the number 2 pin located in mast and remove the pin from mast.
4. Lift boom into position such that it is 90 degrees to mast and insert pins and lynch pins.

**NOTE:** Releasing your grip on the boom prior to installation of pins and lynch pins may cause the boom to swing down into the mast. This could result in injury or damage to the product.

**NOTE:** The **CompOZite-Elite Davit Crane** will ship from the factory partially assembled.

# Assembly Diagram



## Test Field

There is no ASME standard for davit cranes. OZ Lifting Products davit cranes have a minimum 3:1 design factor. We individually load test and certify every davit crane to 125% of the rated capacity. A test certificate is generated that includes the serial number and a photo of the davit under load.

If a load test is required on site, we recommend contacting a civil engineer to determine if the base has been properly mounted to a secure location. We provide the information on the moment a base would pull away from the mounting bolts.



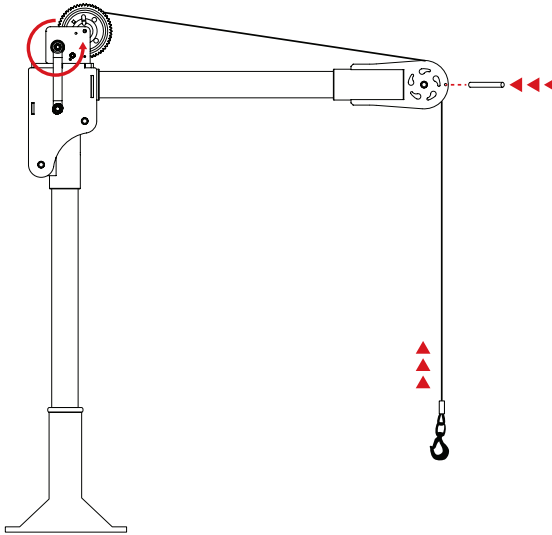
# Installing the Cable

The OZ Lifting Products LLC® cable assembly that can be ordered with the **CompOZite-Elite Davit Crane** may come with a swaged ball on one end to facilitate easy assembly. Standard bare end cable can also be used. The hardware for bare end cable installation is included. Please refer to the accompanying winch owner's manual for instructions on installing a bare end cable.

To install the OZ Lifting Products LLC® supplied cable:

1. Lay the cable out on a flat surface to ensure it is not knotted or looped.
2. Remove the cable retainer pin from the sheave end of the boom.
3. Locate the ball end of the cable.
4. Locate the "keyhole" in the winch drum that accepts the ball end of the cable.
5. Thread the ball end of the cable over the load sheave pulley and towards the winch.
6. Re-insert the cable retainer pin.
7. Insert the ball end fitting of the cable into the "keyhole" feature in the winch.
8. Ensure that the ball end of the cable slides into the slot in the "keyhole" and cannot be pulled out.
9. Manually spool at least 4 full wraps of cable neatly onto the winch drum. There must be at least 4 full anchor wraps of cable on the winch drum at all times.

**NOTE:** To ensure the maximum amount of cable can be spooled onto the winch, the cable must be neatly spooled onto the winch drum. If the cable is not spooled neatly onto the winch drum, the cable capacity will be reduced, and handle effort may increase. Cable that is not spooled neatly can consume 30% more space on the winch drum, reducing cable capacity.



# Operating the Crane

## Warnings & Precautions

Operators should read and fully comprehend this entire manual and all warnings on the **CompOZite-Elite Davit Crane** before beginning crane operation. If this manual is not read and followed completely, injuries and damage may occur. For questions regarding operation, please contact your OZ Lifting Products LLC® dealer.

Before operating the crane, be sure all parts are clean and properly lubricated. The crane must be in proper working condition and maintenance records must be up to date to proceed with operation. The area of operation must be clear of all flammable materials.

It is important to maintain secure footing while operating the crane. Confirm that the crane is attached securely to a strong, level, solid foundation before operation. Slowly take up a load, verifying that it is well supported and balanced before proceeding with operation.

### All operators MUST:

- Be trained in proper crane operation and in dealing with potential malfunctions.
- Abstain from use of alcohol, medications, or drugs while operating.
- Avoid operation while tired or distracted.
- Avoid operation if they have a history of seizures or other medical issues that may interfere with crane operation.
- Have proper coordination and vision.

## Operating Guidelines

The OZ Lifting Products LLC® **CompOZite-Elite Davit Crane** has a maximum operating load rating of 1200 lbs at 45 degrees (see rating chart on page 14). The **CompOZite Davit Crane** is capable of generating forces that are in excess of this maximum load rating, but this should not be attempted.

NOTE: It is the responsibility of the user to ensure that the loads being handled are within the operating limits of the **CompOZite-Elite Davit Crane** at all times. Shock loads must be minimized as they can lead to higher forces than the rated capacity of the **CompOZite-Elite Davit Crane**.

A load rating table is provided on pg. 14 as well as on the **CompOZite-Elite Davit Crane** itself. This load rating table is calculated based on both the position of the crane's boom as well as the amount of cable spooled onto the winch drum. While the position of the crane's boom should not change during a lift, the amount of cable spooled onto the winch will change during a lift (especially long lifts).

NOTE: It is the responsibility of the user to determine the maximum amount of cable that will be spooled onto the winch at any given time during the lift and size the load to be lifted accordingly.

The manual winch that is supplied with the **CompOZite-Elite Davit Crane** has been specifically chosen to match the rating of the crane. The quick-disconnect handle on this winch has also been specifically designed to operate within the load range of the winch. The effort required to operate the winch at the maximum rated capacity will be significant. This is an intentional design feature and not a defect. The increased effort required when nearing rated capacity (at any percentage of drum capacity) is a sign that the load being lifted may be too heavy.

NOTE: Check the weight of the load being lifted and reduce the weight if necessary.

This **CompOZite-Elite Davit Crane** has a main structure made from carbon fiber material. At maximum rated load, this carbon fiber material may exhibit some very slight deflection. The crane will return to its original position upon releasing the load. At no time should the crane emit any abnormal noises during use. Any abnormal sounds are cause for immediate removal of load and inspection. There are multiple sources for abnormal noises including, but not limited to:

- If the cable is not spooled neatly, under tension, when load is applied.
- If the crane is severely overloaded.
- If the crane has suffered severe damage from abuse and/or mishandling.

**NOTE:** This list is not exhaustive and does not cover all possibilities.

## Cleaning & Lubricating the Crane

The **CompOZite-Elite Davit Crane** should be periodically cleaned to preserve its appearance and to prevent corrosion. The **CompOZite-Elite Davit Crane** will last longer and perform better when it is kept clean and lubricated.

**NOTE:** No solvents should be used on any parts of the **CompOZite-Elite Davit Crane** for cleaning or any other purpose.

### Instructions:

1. Wipe the surfaces of the crane with a wet cloth. Detergents are not necessary.
2. The aluminum surfaces are anodized. Wipe surfaces clean of debris.  
It is not necessary to oil the components as they are impervious to corrosion from moisture.
3. Lubricate the shaft bearing surfaces on the winch with a light coat of grease, taking care not to get any oil or grease on the brake pads of the winch.

**NOTE:** No lubricants of any kind should be applied to the brakes in the winch. If the brake pads get contaminated with oil, they may slip.

4. Remove any excess oil with a clean cloth.
5. Lubricate the bushing in the load sheave with a light coat of grease.

## Inspecting the Crane

In order to maintain quality operation of the product, a regular inspection schedule should be followed by each operator. All inspections should be reported and maintained in a dated record log. These records should be available to all personnel involved with the product and should be made available to OZ Lifting Products LLC® when a warranty issue is in question.

## Definitions

**Designated Person** - The person who is selected or assigned as being competent to perform specific duties.

**Qualified Person** - The person that—by possession of a recognized degree or certificate of professional standing, or through extensive knowledge, training, and experience—has successfully demonstrated they are able to resolve problems relating to the subject matter and work.

**Normal Service** - Service that involves operation with randomly distributed loads within the rated load limit, or uniform loads less than 65% of rated load for not more than 15% of the time.

**Heavy Service** - Service that involves operation within the rated load limit and exceeds normal service.

**Severe Service** - Service that involves normal or heavy service with abnormal operating conditions. This also includes service that involves shock loading.

## Inspection Classifications

**Frequent Inspections** - Completed by the operator or designated person. Performed by doing a visual examination and listening for unusual sounds during operation. These inspections are usually performed before each operation, every few hours during operation, and if problems arise.

**Periodic Inspections** - Completed by a designated person. Performed, with more detail than a frequent inspection, by doing visual examinations of internal and external conditions. These inspections are done on the following schedule:

- Normal Service - Semi-annually
- Heavy Service - Quarterly
- Severe Service - Immediately after completion of lift
- Following prolonged storage or if operation issues arise.

**NOTE:** Label crane as “Out of Service” if an inspection deems it damaged or if maintenance is required. Do not remove this label until a qualified person has resolved the issue. Discontinue use of wire rope and equipment if damage or overloading occurs.

## Important Inspection Notes

- Brakes require more than audible and visual inspection. Check brakes daily by operating the crane with and without a load and by stopping at various positions to ensure safe operation. If the load coasts or creeps, contact the factory for friction disc replacements.
- Proper inspection may require disassembly of some parts. Contact the OZ Lifting Products LLC® factory before doing so or the applicable warranty may be voided.
- For wire rope inspections, please contact the specific manufacturer of the rope. The inspection provided in the following chart is for a general inspection only and is in no way the complete inspection required.
- Before operation, assure all deficiencies on the inspection chart are resolved and inspections are up to date. Refer to the troubleshooting chart on pg. 14 for further assistance.
- Be aware of applicable codes and regulations for crane inspection.
- See specific winch owner's manual for instructions and complete inspection instructions.

# Inspection Chart

**NOTE:** Disassemble crane including ratchet jack, boom, and winch periodically to inspect each for damage. Use the following chart to determine what type of inspection is necessary. Frequent Inspection (F) and Periodic Inspection (P).

Location	Check For	F	P
Crane	Damage, cracks, rust, chipping, dents excess wear, or corrosion.	X	
	Unusual sounds	X	
	Smooth load movements	X	
	Equipment properly lubricated	X	
	Signs of overloading (cracks, dents, or damage)		X
	Proper function when operated with a load equal to the load rating		X
Foundation	Good condition/supports the crane under all conditions	X	
	Level, no swerving of boom	X	
	Cracks, corrosion, damage (check by removing crane base from foundation)		X
Fasteners (including mounting fasteners)	Firmly installed	X	
	Properly tightened	X	
	Stripped threads, bent, or damage (check by removing crane from foundation)		X
Handle	Rotates freely in both directions	X	

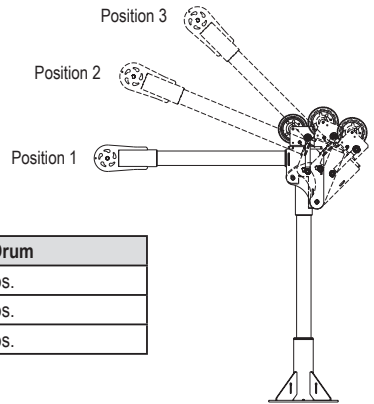
**NOTE:** Please refer to the winch owner's manual for the winch inspection chart.

## Repairs

All repairs must have factory authorization. Contact OZ Lifting Products LLC® to prevent voiding of the one-year limited warranty and potential damage.

Perform recommended inspections to identify which parts should be replaced. Only use OZ Lifting Products LLC® replacement parts. To order replacement parts, contact your local OZ Lifting Products LLC® dealer. Please have the serial number, part number and a description available when calling.

# Load Rating



\*Table based on 1/4" Wire Rope | 3/16" Ultrex Synthetic Rope

Load Ratings (lbs.)	1st. Layer	Mid Drum	Full Drum
Boom Position 1 (0°)	500 lbs.	500 lbs.	500 lbs.
Boom Position 2 (+22.5°)	700 lbs.	700 lbs.	550 lbs.
Boom Position 3 (+45°)	1200 lbs.	875 lbs.	550 lbs.

\*Table based on 3/16" Wire Rope

Load Ratings (lbs.)	1st. Layer	Mid Drum	Full Drum
Boom Position 1 (0°)	500 lbs.	500 lbs.	500 lbs.
Boom Position 2 (+22.5°)	700 lbs.	700 lbs.	550 lbs.
Boom Position 3 (+45°)	800 lbs.	800 lbs.	550 lbs.

# Troubleshooting Chart

Contact OZ Lifting Products LLC® if disassembly of the crane is required. The warranty will be voided if this is not done.

Problem	Possible Cause	Correction
Brake distance too long	Discs are worn,damaged, or over lubricated	Replace
	Disc brake ratchet pawl damaged or worn	Replace
Excess wear on gears or bearings	Overloaded	Reduce load
	Improper lubrication	Relubricate
High pitched squeak	Improper lubrication	Relubricate
Grinding noise	Poorly spooled cable, cable diving Into drum	Re-spool cable evenly under tension
	Dirty brakes or gears	Clean
	Broken gears or bearings	Replace
Rattling noise	Loose bolts, screws, fasteners	Tighten
Boom turns on its own	Foundation unlevel or unsecure	Repair
	Mast bent or damaged	Repair
Boom bounces	Overloaded	Reduce load and inspect crane for damage
	Loose mounting bolts	Tighten to correct torque
	Foundation unlevel or unsecure	Repair
	Winch gears worn or damaged	Repair
	Sheave worn or damaged	Repair

Contact OZ Lifting Products LLC® if disassembly of the crane is required. The one-year limited warranty will be voided if this is not done.

**FR**



# GUIDE DE L'OPÉRATEUR

## **COMPOSITE-ELITE**



**GRUE DAVIT  
EN FIBRE DE CARBONE**  
**Fabriquées aux États-Unis**  
**N° de modèle OZCF1200DAV**  
**Capacité de charge maximum : 1 200 lb.**  
\*Voir le tableau des capacités des charges à la page 14

Veuillez lire le manuel de l'utilisateur attentivement  
avant de faire fonctionner ce produit. Garder ce  
manuel près de vous en tout temps.

**OZ LIFTING  
PRODUCTS**

5455 W. 6th St.  
P.O. Box 845  
Winona, MN 55987  
Téléphone +1 (800) 749-1064  
+1 (507) 474-6250  
Télécopieur +1 (507) 452-5217  
sales@ozliftingproducts.com  
[www.ozliftingproducts.com](http://www.ozliftingproducts.com)

# Table des matières

P. 3.	Garantie d'un an
P. 4.	Mesures de sécurité relatives au produit
P. 5.	Avertissements de sécurité
P. 6.	Inspection initiale de la grue/Installation de la base
P. 7.	Assemblage de la grue
P. 8.	Diagramme d'assemblage / Essai sur le terrain
P. 9.	Installer le câble
P. 10.	Fonctionnement de la grue/Directives de fonctionnement
P. 11.	Nettoyage et lubrification de la grue/Inspection de la grue
P. 12.	Inspecter la grue
P. 13.	Tableau d'inspection/Réparations
P. 14.	Capacités de charge/Tableau de dépannage



# GARANTIE D'UN AN

OZ Lifting Products LLC® garantit ce produit contre les défauts de fabrication et de conception pendant un an à compter de la date d'expédition.

Cette garantie ne s'applique pas aux produits indiquant qu'il y a eu abus, surcharge, altération, mauvais entretien ou négligence. L'usure normale des pièces en mouvement est exclue de la garantie. Exemples de pièces en mouvement : disques de frein, câbles métalliques et autres composants qui s'usent. Cette garantie ne couvre pas les coûts liés au retrait de ce produit, au temps perdu ou autres dommages/coûts accessoires ou consécutifs liés aux défauts contre lesquelles il y a réclamation.

Si ce produit tombe en panne dans la première année pour cause de fabrication ou de conception, il sera réparé ou remplacé à la discrétion de OZ Lifting Products LLC®. Tout produit sous garantie pour lequel il y a réclamation doit être retourné prépayé à un dépôt de garantie OZ Lifting Products LLC® avec preuve d'achat. Une fois réparé, le produit sera retourné au client sans frais. S'il devait s'avérer qu'il n'y avait aucune défektivité, les frais d'expédition de retour seront imputés au client. La garantie du produit continuera pour le reste de la période originale (un an à compter de la date d'expédition).

OZ Lifting Products LLC® n'est pas responsable de ce qui suit relatif à l'utilisation de ce produit : blessures ou dommages matériels, morts, dommages accessoires, consécutifs ou indirects, que ce soit par négligence ou à dessein. Il incombe exclusivement au propriétaire d'installer et de faire fonctionner le produit convenablement et sécuritairement.

Il s'agit de la seule garantie écrite de OZ Lifting Products LLC®. Cette garantie est en lieu et place de toute autre garantie qu'implique la loi, p. ex. qualité marchande ou aptitude. La vente de produits OZ Lifting Products LLC® en vertu de toute autre garantie expresse ou impliquée n'est pas autorisée.

REMARQUE : OZ Lifting Products LLC® a le droit de modifier la conception ou de discontinuer la production de tout produit sans préavis.

Pour en savoir plus, contacter :



5455 W. 6th St.  
P.O. Box 845  
Winona, MN 55987  
Téléphone +1 (800) 749-1064  
+1 (507) 474-6250  
Télécopieur +1 (507) 452-5217  
sales@ozliftingproducts.com  
www.ozliftingproducts.com

# Mesures de sécurité relatives au produit

Les renseignements que contient ce manuel doivent être utilisés exclusivement pour la **grue CompOZite-Elite Davit**. Ce manuel contient des instructions générales sur l'installation, le fonctionnement et l'entretien normaux du produit décrit aux présentes. Vous ne devez pas prendre pour acquis que les renseignements fournis préparent l'utilisateur pour toute circonstance possible.

Ce produit ne doit pas être installé, opéré ou entretenu par quiconque n'ayant pas lu ce manuel au complet. Si vous ne lisez pas ces instructions, avertissements ou limitations ou que vous ne vous y conformez pas, il pourrait y avoir blessures, morts ou dommages matériels.

Il incombe au propriétaire/à l'utilisateur d'installer, de mettre à l'essai, d'entretenir et de faire fonctionner ces produits conformément aux règlements de l'OSHA, ainsi qu'aux autres règlements fédéraux, d'État et locaux. Seules des personnes formées et qualifiées doivent faire fonctionner et entretenir ce produit.

Inspecter régulièrement la **grue CompOZite-Elite Davit** pour détecter des signes d'usure, des étirements des trous, des fissures en surface, des gouges, des dommages ou toute condition anormale.

Les propriétaires du produit doivent planifier et conserver les dossiers des inspections régulières. Indiquer le numéro de série et la date d'achat de votre **grue CompOZite-Elite Davit** sur la couverture avant de ce manuel de référence.

Ne pas utiliser la **grue CompOZite-Elite Davit** avec d'autres équipements à moins que les dispositifs de sécurité nécessaires soient en place. Toute modification apportée à ce produit doit être autorisée par le fabricant original.



# Avertissements de sécurité

Si vous ne lisez pas les avertissements suivants et que vous ne vous y conformez pas, il peut y avoir des situations dangereuses qui pourraient causer la mort, des blessures graves ou des dommages matériels. Garder ce manuel à votre portée en tout temps. Ne pas enlever, ne pas modifier ou ne pas obscurcir les étiquettes attachées au treuil. Contacter OZ Lifting Products LLC® pour des manuels et des étiquettes de rechange.

**Ne pas** faire fonctionner un produit endommagé ou qui ne fonctionne pas correctement.

**Ne pas** faire fonctionner si les dispositifs de sécurité sont mal installés ou ont été retirés.

**Ne pas** lever plus que la capacité de charge de la grue ou des composants qui y sont fixés.

**REMARQUE** : Quand les surcharges sont sévères, la grue peut émettre des claquements. Vous devez alors retirer la charge de la grue immédiatement, inspecter tous les composants et, au besoin, remplacer la grue.

**Ne pas** utiliser de grues supplémentaires pour déplacer une charge qui dépasse la capacité de charge d'une seule des grues utilisées.

**Ne pas** modifier ce produit de quelque façon que ce soit.

**Ne pas** utiliser à des fins autres que celles pour lesquelles ce produit a été conçu.

**Ne pas** enlever, dégrader ou obscurcir les étiquettes d'avertissement.

**Ne pas** laisser la charge se balancer ou ne pas la secouer. Exploiter en douceur pour éviter les charges de choc.

**Ne pas** lever une charge qui ne se trouve pas directement sous la grue. Ce produit n'est pas conçu pour tirer une charge latéralement.

**Ne pas** entortiller le câble métallique autour de la charge. Utiliser une élingue ou autre appareil approuvé par le fabricant seulement.

**Ne pas** faire fonctionner sans que le câble métallique ait été entortillé 4 fois (8 fois pour les câbles synthétiques à base de Dyneema) autour du tambour d'extrémité du treuil.

**Ne pas** faire fonctionner sans que le câble métallique soit bien fixé au tambour d'extrémité du treuil.

**Ne pas** faire fonctionner sans avoir vérifié la lubrification.

**Ne pas** mettre vos mains là où il y a des pièces en mouvement telles que poulies, câbles métalliques et engrenages.

**Ne pas** lever de personnes.

**Ne pas** lever de charges au-dessus de personnes.

**Ne pas** faire fonctionner avant d'avoir averti le personnel que des charges approchent et qu'il ait eu le temps de céder la place.

**Ne pas** laisser une charge suspendue sans surveillance.

**Ne pas** utiliser de attaches de diamètre inférieur. Utiliser seulement les attaches fournies avec la grue.

**Ne pas** faire fonctionner ou ranger la grue là où il fait plus de 120 degrés Fahrenheit.

**Ne pas** utiliser de chaînes, de câbles ou d'appareils rigides pour lever la grue. Utiliser plutôt des élingues en nylon ou autres matières synthétiques.



# Inspection initiale de la grue

Vérifier s'il y a eu des dommages en cours d'expédition. Ne pas installer ou ne pas utiliser un produit endommagé. S'assurer de conserver des dossiers de renseignements sur le produit et de contacter votre concessionnaire OZ Lifting Products LLC® en cas de problème.

Consulter les codes et les règlements en vigueur avant d'installer l'équipement. Contacter un professionnel qualifié quant aux spécifications de structure et de fondation avant de faire l'assemblage du produit.

## Avant d'installer, sélectionner un endroit où la grue est :

- Visible tout au long de son fonctionnement.
- Sans circulation qui pourrait nuire au fonctionnement.
- Positionnée de sorte que l'opérateur soit à l'écart de la charge et du câble métallique.
- Facile à entretenir.
- Fixée sur une fondation robuste et à niveau qui peut la supporter, quelles que soient les conditions.
- À l'écart de tout matériau corrosif, inflammable, explosif ou dommageable.

Veuillez consulter le diagramme à la page 8 avant d'assembler la grue.

Inspecter la grue pour s'assurer qu'aucune pièce ne manque ou n'a été endommagée. Ne pas jeter les emballages d'expédition, elles peuvent être réutilisées si jamais la grue devait être remballée. Communiquer avec votre concessionnaire OZ Lifting Products LLC® en cas de problème.

S'assurer que tous les composants, y compris l'attache sur laquelle repose la poulie de levage, sont bien lubrifiés avant de commencer l'assemblage. Consulter la section Nettoyage et lubrification de la grue à la page 11.

En cours d'assemblage, effectuer une inspection selon les procédures aux pages 11, 12 et 13 de ce document et résoudre tout problème. Cela servira de point de comparaison lors des inspections subséquentes.

# Installer la base

**REMARQUE** : Les concessionnaires OZ Lifting Products LLC® vendent la base de la grue **CompOZite-Elite Davit** connexe séparément. C'est une nécessité pour que ce produit fonctionne convenablement.

La base doit être bien fixée à la fondation au moyen de fixations à filet normal de ½-13- po de catégorie 5 au minimum. Vous devez utiliser un couple de 75 pi/lb pour les fixations de catégorie 5 sans lubrification.

S'assurer que la surface de montage se trouve directement sur une fondation robuste, à niveau et solide qui supportera la grue, quelles que soient les circonstances.

Les produits non standards modifiés peuvent devoir être fixés autrement que ce qu'indique la conception originale. Contacter votre concessionnaire OZ Lifting Products LLC® pour en savoir plus.

# Assemblage de la grue

## Assemblage

**REMARQUE** : Les fixations ne doivent pas être trop serrées en cours d'assemblage, car cela peut abîmer les filets et causer des dommages. Aux fins d'assemblage, trois axes à épaulement, numérotés 1 et 2, sont inclus. Les deux attaches portant le signe « #2 » sont identiques. Les deux sont nécessaires pour l'assemblage.

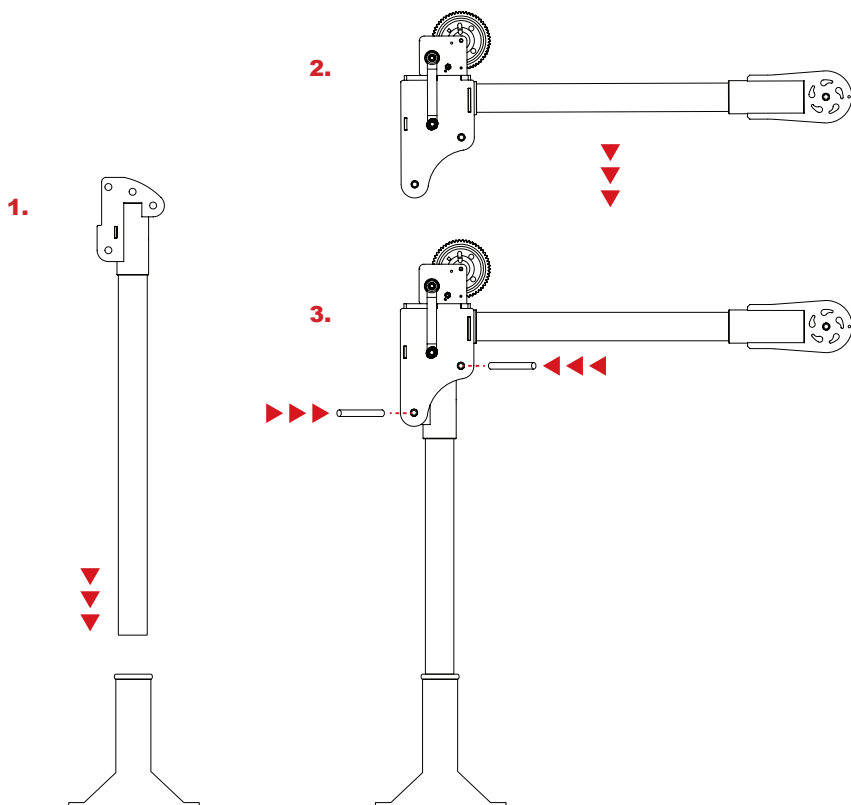
Une fois que la base OZ Lifting Products LLC® est installée, assembler la grue en suivant les étapes suivantes :

1. Retirer la cheville d'essieu de l'attache n° 2 qui sert de charnière et retirer l'attache de l'assemblage mât/flèche. Cela libère le mât de la flèche.
2. Installer le mât dans la base. **REMARQUE** – L'assemblage mât/flèche peut se déplacer librement. Le mât glissera dans la base (aucun outil requis). S'assurer que le mât est bien positionné sur l'attache au fond de la base. Cela peut être confirmé en déplaçant le mât d'un côté à l'autre pour vérifier qu'il n'y a pas trop de jeu à la base. Le mât doit être bien ajusté.
3. Retirer la cheville d'essieu de l'attache n° 2 dans le mât et retirer l'attache du mât.
4. Lever la flèche de sorte qu'elle soit à un angle de 90 degrés par rapport au mât et insérer les attaches et les chevilles d'essieu.

**REMARQUE** : Si vous lâchez la flèche avant que les attaches et les chevilles d'essieu aient été installées, il se peut que la flèche pourrait pivoter vers le bas dans le mât. Vous pourriez vous blesser ou endommager le produit.

**REMARQUE** : La grue **CompOZite-Elite Davit** est expédiée partiellement assemblée en usine.

# Diagramme d'assemblage



## Essai sur le terrain

Il n'existe pas de norme ASME pour les grues à bossoir. Le coefficient de sécurité minimum des grues à bossoir OZ Lifting Products est de 3:1. Nous effectuons des essais individuels de charge et nous certifions chaque grue à bossoir à 125 % de la capacité nominale. Un certificat d'essai qui comprend le numéro de série et une photo du bossoir sous charge est généré.

Si un essai de charge est requis sur place, nous recommandons de communiquer avec un ingénieur civil pour déterminer si la base a été adéquatement montée à un endroit sécurisé. Nous fournissons les informations sur le moment où une base se détacherait des boulons de fixation.

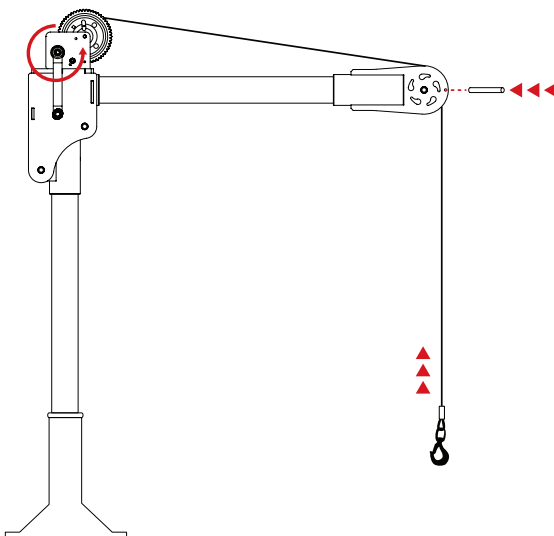
# Installer le câble

L'assemblage de câbles OZ Lifting Products LLC® qui peut être commandé avec la **grue CompOZite-Elite Davit** peut compter un boulet estampé pour en faciliter l'assemblage. Il est également possible d'utiliser un câble dénudé standard. Le matériel pour installer le câble dénudé est inclus. Veuillez consulter le manuel du propriétaire du treuil annexé pour les instructions d'installation du câble dénudé.

Pour installer le câble OZ Lifting Products LLC® fourni :

1. Étendre le câble sur une surface plane pour vous assurer qu'il n'y a pas de tortillons ou de boucles.
2. Retirer la goupille de retenue de câble de la poulie d'extrémité de la flèche.
3. Repérer l'extrémité du câble où se trouve le boulet.
4. Repérer « l'ouverture » dans le tambour d'extrémité du treuil où sera logé l'extrémité à boulet du câble.
5. Insérer l'extrémité à boulet du câble dans la poulie de la noix de levage et le tirer vers le treuil.
6. Réinsérer la goupille de retenue de câble.
7. Insérer le raccord de l'extrémité à boulet dans « l'ouverture » du treuil.
8. S'assurer que l'extrémité à boulet du câble glisse dans la fente du « l'ouverture » et qu'on ne peut pas le retirer.
9. Bien enrouler manuellement le câble autour du tambour d'extrémité du treuil au moins 4 fois. Le câble doit être enroulé au moins 4 fois autour du tambour d'extrémité du treuil en tout temps.

**REMARQUE :** Pour s'assurer de pouvoir enrouler autant de câble qu'il faut sur le treuil, le câble doit être bien enroulé autour du tambour d'extrémité du treuil. S'il n'est pas possible de bien enrouler le câble autour du tambour d'extrémité du treuil, la capacité du câble sera réduite et plus de force devra être exercée sur la poignée. Si le câble n'est pas bien enroulé, il peut prendre 30 % plus d'espace sur le tambour d'extrémité du treuil, réduisant ainsi la capacité du câble.



# Fonctionnement de la grue

## Avertissements et mesures de sécurité

Les opérateurs doivent lire complètement et comprendre tout ce manuel, ainsi que tous les avertissements sur la **grue CompOZite-Elite Davit**, avant de la faire fonctionner. Si on ne lit pas ce manuel et qu'on ne s'y conforme pas, il pourrait y avoir blessures et dommages. Pour toute question liée aux fonctionnements, veuillez contacter votre concessionnaire OZ Lifting Products LLC®.

Avant de faire fonctionner la grue, s'assurer que toutes les pièces sont propres et bien lubrifiées. La grue doit être en bon état et les dossiers d'entretien doivent être à jour avant de la faire fonctionner. La zone de fonctionnement ne doit contenir aucune matière inflammable.

Vous devez rester équilibré pendant que vous faites fonctionner la grue. S'assurer que la grue est bien fixée à une fondation robuste, à niveau et solide avant de la faire fonctionner. Lever une charge graduellement, vous assurant qu'elle est bien supportée et équilibrée avant de continuer.

### Tous les opérateurs DOIVENT :

- Être formés quant au bon fonctionnement de la grue et à la prise en charge des défaillances potentielles.
- Ne pas utiliser d'alcool, de médicaments ou de drogues pendant le fonctionnement de la grue.
- Éviter le fonctionnement en cas de fatigue ou de distraction.
- Éviter le fonctionnement si l'opérateur a un historique de crises ou autres troubles médicaux qui risquent de nuire au fonctionnement de la grue.
- Avoir une bonne vision et une bonne coordination.

## Directives de fonctionnement

La **grue CompOZite-Elite Davit** OZ Lifting Products LLC® compte une capacité de charge de 1 200 lb à 45 degrés (voir le tableau des capacités à la page 14). La **grue CompOZite Davit** peut produire une puissance supérieure à cette capacité de charge, mais vous ne devez jamais vous en servir.

REMARQUE : Il incombe à l'utilisateur de s'assurer que les charges levées respectent les limites de fonctionnement de la **grue CompOZite-Elite Davit** en tout temps. Les charges de choc doivent être minimisées vu qu'elles peuvent exiger des puissances au-delà de la capacité de charge de la **grue CompOZite-Elite Davit**.

Un tableau des capacités de charge se trouve à la page 14, ainsi que sur la **grue CompOZite-Elite Davit** elle-même. Ce tableau des capacités de charge est calculé en fonction de la position de la flèche de la grue, ainsi que de la quantité de câble enroulé autour du tambour d'extrémité du treuil. Même si la position de la flèche de la grue ne doit pas changer en cours de levage, la quantité de câble enroulé sur le treuil changera en cours de levage (surtout les levages longs).

REMARQUE : Il incombe à l'utilisateur de déterminer la longueur de câble qui peut être enroulé sur le treuil à tout moment du levage et le poids de la charge correspondante.

Le treuil à bras fourni avec la **grue CompOZite-Elite Davit** a été choisi en fonction de la capacité de charge de la grue. La poignée à déconnexion rapide de ce treuil a été conçue elle aussi pour fonctionner en fonction de la capacité de charge du treuil. L'effort requis pour faire fonctionner le treuil à sa capacité de charge maximum est substantiel. Il s'agit d'une caractéristique voulue et non d'une déféctuosité. L'effort supplémentaire requis à l'approche de la capacité de charge (quel que soit le pourcentage de la capacité du tambour) est signe que la charge est peut-être trop lourde.

REMARQUE : Vérifier le poids de la charge que vous levez et le réduire, au besoin.



Cette grue **CompOZite-Elite Davit** compte une structure principale fabriquée en fibre de carbone avancée. Quand la capacité de charge est atteinte, cette fibre de carbone avancée peut manifester une légère déviation. La grue reprendra sa position originale une fois que la charge aura été relâchée. La grue ne doit jamais émettre de bruits anormaux en cours d'utilisation. Si vous entendez des bruits anormaux, retirer la charge et faire une inspection immédiatement. Les sources de bruits anormaux sont nombreuses, dont :

- Le câble n'est pas bien enroulé, sous tension, lorsque la charge est levée.
- La grue est sévèrement surchargée.
- La grue a été sévèrement endommagée après abus et/ou mésusage.

**REMARQUE** : Cette liste n'est pas exhaustive et ne couvre pas toutes les possibilités.

## Nettoyage et lubrification de la grue

Il faut nettoyer la grue **CompOZite-Elite Davit** périodiquement pour conserver son apparence et pour prévenir la corrosion. La durée de vie de la grue **CompOZite-Elite Davit** sera plus longue et elle fonctionnera mieux si vous la gardez propre et lubrifiée.

**REMARQUE** : Aucun solvant ne doit être utilisé sur quelque pièce que ce soit de la grue **CompOZite-Elite Davit** pour la nettoyer ou pour quelque autre raison que ce soit.

### Instructions :

1. Essuyer les surfaces de la grue avec un linge humide. Aucun détergent requis.
2. Les surfaces en aluminium sont anodisées. Essuyer les surfaces pour qu'il n'y ait aucun débris.  
Il n'est pas nécessaire d'huiler les composants, car ils sont à l'épreuve de la corrosion causée par l'humidité.
3. Appliquer une couche mince de graisse sur les surfaces du palier d'extrémité, en prenant soin que les patins de freinage ne soient pas contaminés d'huile ou de graisse.

**REMARQUE** : Aucune lubrification ne doit être appliquée aux freins ou au treuil. Si les patins de freinage deviennent contaminés d'huile, ils peuvent glisser.

4. Enlever toute huile excédentaire avec un linge propre.
5. Appliquer une couche mince de graisse sur le palier de la poulie de levage.

## Inspecter la grue

Pour que la qualité de fonctionnement du produit soit bonne, l'opérateur doit faire inspecter le produit régulièrement. Toutes les inspections doivent être consignées et conservées dans un journal. Ces dossiers doivent être accessibles à tout le personnel qui utilise le produit et à OZ Lifting Products LLC® lorsqu'il y a un problème lié à la garantie.

## Définitions

**Personne désignée** - une personne sélectionnée ou affectée qui est en mesure d'exécuter les tâches spécifiques.

**Personne qualifiée** - une personne qui possède un diplôme ou certificat de compétence professionnelle reconnu ou qui, grâce à ses connaissances, à sa formation à son expérience exhaustives, a démontré avec succès qu'elle peut résoudre les problèmes liés à la matière et au travail.

**Service normal** - fonctionnement avec des charges distribuées aléatoirement ou à l'intérieur de la limite de charge nominale ou charges uniformes de moins de 65 % de la charge nominale au plus 15 % du temps.

**Service lourd** - fonctionnement à l'intérieur de la limite de charge nominale au-delà du service normal.

**Service rigoureux** - service normal ou lourd dans des conditions de fonctionnement anormales. Charges de choc incluses.

## Classifications d'inspection

**Inspections fréquentes** - effectuées par l'opérateur ou la personne désignée. Effectuées en faisant des examens visuels et en écoutant des sons inusités en cours de fonctionnement. Ces inspections, en règle générale, sont effectuées avant chaque utilisation, plusieurs fois en cours d'utilisation et lorsque des problèmes surviennent.

**Inspections périodiques** - effectuées par une personne désignée. Plus détaillées qu'une inspection fréquente en examinant visuellement les conditions internes et externes. Ces inspections se font selon l'horaire suivant :

- Service normal – deux fois par année
- Service lourd – à chaque trimestre
- Service rigoureux – après chaque levage
- Après rangement prolongé ou s'il y a eu problème en cours de levage.

**REMARQUE** : Indiquer que la grue est « en panne » si une inspection détermine qu'elle est endommagée ou qu'il doit être réparée. Ne pas retirer cette étiquette jusqu'à ce qu'une personne qualifiée ait résolu le problème. Ne pas utiliser des câbles métalliques et de l'équipement s'il y a eu dommages ou surcharge.

## Remarques importantes liées aux inspections

- Les freins requièrent une inspection non seulement audible et visuelle. Les vérifier tous les jours en faisant fonctionner la grue avec et sans charge, vous arrêtant dans diverses positions pour garantir qu'ils fonctionnent bien. Si la charge se déplace, contacter l'usine pour remplacer les disques de friction.
- Il se peut que vous deviez désassembler certaines pièces pour les bien inspecter. Contacter l'usine de OZ Lifting Products LLC® avant de ce faire pour ne pas rendre votre garantie nulle et non avenue.
- Pour inspecter les câbles métalliques, veuillez contacter le fabricant du câble. L'inspection indiquée dans le tableau suivant est générale et non l'inspection complète requise.
- Avant utilisation, s'assurer que tous les défauts indiqués dans le tableau d'inspection ont été résolus et que les inspections sont à jour. Consulter le tableau de dépannage à la page 14 pour en savoir plus.
- Connaître les codes et les règlements en vigueur en matière d'inspection des grues.
- Consulter le manuel du propriétaire du treuil spécifique pour les instructions et les instructions d'inspection complètes.

# Tableau d'inspection

**REMARQUE** : Désassembler la grue, y compris le cric à crémaillère, la flèche et le treuil, périodiquement pour déterminer s'ils ont été endommagés. Utiliser le tableau suivant pour déterminer quel type d'inspection effectuer. Inspection fréquente (F) et inspection périodique (P).

Emplacement	Vérifier s'il y a	F	P
<b>Grue</b>	Dommages, fissures, rouille, écaillage, bosses, usure excessive ou corrosion.	X	
	Bruits inhabituels	X	
	Mouvements de chargement régulier	X	
	Bonne lubrification	X	
	Signes de surcharge (fissures, bosses ou dommages)		X
	Fonctionnement régulier avec charge égale à la capacité de charge		X
<b>Fondation</b>	Bon état/supporte la grue, quelles que soient les conditions	X	
	À niveau, la flèche ne se balance pas	X	
	Fissures, corrosion, dommages (retirer la base de la grue de la fondation)		X
<b>Fixations</b> (y compris fixations de montage)	Bonne installation	X	
	Bon serrage	X	
	Filets abîmés, pliage ou dommages (retirer la base de la grue de la fondation)		X
<b>Poignée</b>	Tourne librement dans l'un et l'autre sens	X	

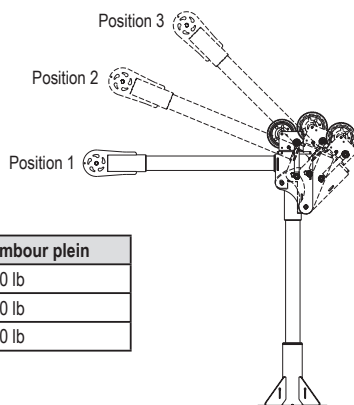
**REMARQUE** : Veuillez consulter le manuel du propriétaire du treuil pour le tableau d'inspection du treuil.

## Réparations

L'usine doit autoriser toutes les réparations. Contacter OZ Lifting Products LLC® pour ne pas rendre votre garantie limitée d'un an nulle et non avenue et ne pas causer des dommages.

Effectuer les inspections recommandées pour déterminer les pièces à remplacer. Utiliser seulement des pièces de recharge provenant de OZ Lifting Products LLC®. Pour commander des pièces de rechange, communiquer avec votre concessionnaire OZ Lifting Products LLC® local. Veuillez avoir le numéro de série, le numéro de pièce et une description à votre portée lorsque vous appelez.

# Capacité de charge



\*Câble métallique de 1/4 po | Câble Ultrax Synthétique de 3/16 po

Capacité de charge (lb)	1ère couche	Tambour moyen	Tambour plein
Position 1 de la flèche (0°)	500 lb	500 lb	500 lb
Position 2 de la flèche (+22,5°)	700 lb	700 lb	550 lb
Position 3 de la flèche (+45°)	1 200 lb	875 lb	550 lb

\*Câble métallique de 3/16 po

Capacité de charge (lb)	1ère couche	Tambour moyen	Tambour plein
Position 1 de la flèche (0°)	500 lb	500 lb	500 lb
Position 2 de la flèche (+22,5°)	700 lb	700 lb	550 lb
Position 3 de la flèche (+45°)	800 lb	800 lb	550 lb

# Tableau de dépannage

Contactez OZ Lifting Products LLC® si vous devez désassembler la grue. Dans le cas contraire, la garantie sera rendue nulle et non avenue.

Problème	Cause possible	Correction
Distance de la flèche excessive	Disques usés, endommagés ou sur lubrifiés	Remplacer
	Cliquet à rochet de frein à disque endommagé ou usé	Remplacer
Usure excessive des engrenages ou des roulements	Surcharge	Réduire la charge
	Mauvaise lubrification	Relubrifier
Grincement aigu	Mauvaise lubrification	Relubrifier
Bruit de grincement	Câble mal enroulé, câble qui plonge dans le tambour	Rembobiner le câble également sous tension
	Freins ou engrenages sales	Nettoyer
	Engrenages ou roulements brisés	Remplacer
Cliquetis	Boulons, écrous, fixations desserrés	Serrer
La flèche pivote d'elle-même	Fondation non à niveau ou non sécuritaire	Réparer
	Mât plié ou endommagé	Réparer
La flèche rebondit	Surcharge	Réduire la charge et inspecter la grue pour déceler des dommages
	Boulons de montage desserrés	Serrer pour corriger le couple
	Fondation non à niveau ou non sécuritaire	Réparer
	Engrenages du treuil usés ou endommagés	Réparer
	Poulie usée ou endommagée	Réparer

Contactez OZ Lifting Products LLC® si vous devez désassembler la grue. Dans le cas contraire, la garantie sera rendue nulle et non avenue.

**ES**



# MANUAL DEL OPERADOR

## **COMPOZITE·ELITE**



### **GRÚA PESCANTE DE FIBRA DE CARBONO**

**Hecho en EE.UU**

**Modelo # OZCF1200DAV**

**Carga máxima de trabajo: 1200 lbs.**

\*Consulte la tabla de clasificación de carga en la página 14

Lea atentamente el manual del  
operador antes de utilizar este producto.  
Mantenga este manual cerca en todo momento.

# **OZ LIFTING PRODUCTS**

P.O. Box 845, Winona, MN 55987  
Teléfono (800) 749-1064  
(507) 474-6250  
Apoyo técnico (507) 457-3346  
Fax (507) 452-5217  
sales@ozliftingproducts.com  
www.ozliftingproducts.com

# Tabla de contenido

Pág. 3	Garantía de un año
Pág. 4	Precauciones del producto
Pág. 5	Advertencias de seguridad
Pág. 6	Inspección inicial de la grúa / Instalación de la base
Pág. 7	Montaje de la grúa
Pág. 8	Diagrama de ensamblaje / Prueba de campo
Pág. 9	Instalación del cable
Pág. 10	Operación de la grúa / Pautas operativas
Pág. 11	Limpieza y lubricación de la grúa / Inspección de la grúa
Pág. 12	Inspeccionando la grúa
Pág. 13	Tabla de inspección / reparaciones
Pág. 14	Clasificación de carga / tabla de resolución de problemas

# GARANTÍA DE UN AÑO

OZ Lifting Products LLC® garantiza que este producto estará libre de defectos en materiales y mano de obra durante un año a partir de la fecha de envío.

Esta garantía no se aplica a productos que muestran signos de mal uso, sobrecarga, alteración, mantenimiento incorrecto o negligencia. El desgaste normal de las piezas móviles está excluido de la garantía. Las partes móviles se definen como discos de freno, cable metálico y otros componentes de desgaste sujetos a condiciones de uso. Esta garantía no cubre ningún costo relacionado con la eliminación de este producto, el tiempo perdido o cualquier otro daño / costo incidental o consecuente que resulte de los defectos reclamados.

Si este producto falla durante el primer año de funcionamiento debido a materiales o mano de obra defectuosos, será reparado o reemplazado a discreción de OZ Lifting Products LLC®. Cualquier producto sujeto a un reclamo de garantía debe devolverse, prepago, a un distribuidor autorizado de OZ Lifting Products LLC® junto con el comprobante de compra. Tras la reparación, el producto será devuelto al cliente de forma gratuita. Si no se encuentra ningún defecto, el cliente será responsable de los costos de envío de devolución. La garantía del producto será efectiva por el resto del período de garantía original (un año a partir de la fecha de envío).

OZ Lifting Products LLC® no se hace responsable de lo siguiente que surja del uso de este producto: lesiones a personas o bienes, muerte, daños incidentales, consecuentes o contingentes, ya sean negligentes o deliberados. Es responsabilidad exclusiva del propietario instalar y operar el producto de manera adecuada y segura.

Esta es la única garantía escrita de OZ Lifting Products LLC®. Esta garantía reemplaza a todas las demás garantías implícitas por ley, como la comerciabilidad y la aptitud. La venta de productos de OZ Lifting Products LLC® bajo cualquier otra garantía, expresa o implícita, no está autorizada.

**NOTA:** OZ Lifting Products LLC® tiene el derecho de alterar el diseño o suspender la producción de cualquier producto sin previo aviso.

**Para obtener más información, póngase en contacto:**



P.O. Box 845, Winona, MN 55987  
Teléfono (800) 749-1064  
(507) 474-6250  
Apoyo técnico (507) 457-3346  
Fax (507) 452-5217  
sales@ozliftingproducts.com  
[www.ozliftingproducts.com](http://www.ozliftingproducts.com)

# Precauciones

La información de este manual debe usarse solo para la **grúa pescante CompOZite-Elite**. Este manual contiene instrucciones generales para la instalación, operación y mantenimiento normales del producto descrito aquí. No debe esperarse que la información proporcionada prepare al usuario para todas las circunstancias posibles.

Este producto no debe ser instalado, operado o mantenido por ninguna persona que no haya leído todo el contenido de este manual. No leer y cumplir con estas instrucciones, advertencias o limitaciones puede provocar lesiones corporales, muerte o daños a la propiedad.

Es responsabilidad del propietario / usuario instalar, probar, mantener y operar este producto de acuerdo con las regulaciones de OSHA, así como con todas las demás regulaciones federales, estatales y locales. Solo personal capacitado y calificado deberá operar y mantener este producto.

Inspeccione regularmente la **grúa pescante CompOZite-Elite** en busca de signos de desgaste, alargamiento de agujeros, grietas en la superficie, gubias, daños o cualquier condición anormal.

Los propietarios de los productos deben programar y mantener un registro de inspección y mantenimiento regulares. Registre su número de serie y la fecha de compra de la **grúa pescante CompOZite-Elite** en la portada de este manual como referencia.

No use la **grúa pescante CompOZite-Elite** junto con otros equipos a menos que se encuentren los dispositivos de seguridad necesarios. Las modificaciones a este producto solo deben ser autorizadas por el fabricante original.





# Advertencias de seguridad

**No leer y cumplir con las siguientes advertencias puede provocar una situación peligrosa que podría provocar la muerte, lesiones graves o daños a la propiedad. Mantenga este manual cerca del equipo en todo momento. No quite, altere ni oculte las etiquetas adheridas al producto. Póngase en contacto con OZ Lifting Products LLC® para obtener manuales y etiquetas de reemplazo.**

**No** opere un producto dañado o que funcione mal.

**No** opere si las protecciones han sido quitadas o instaladas incorrectamente

**No** levante más de la carga nominal de la grúa o sus componentes adjuntos.

**NOTA:** Bajo una condición de sobrecarga severa, se puede escuchar un crujido audible de la grúa. Esto es causa de una eliminación inmediata de la carga de la grúa, inspección de todos los componentes y posible reemplazo de la grúa.

**No** use grúas adicionales para mover una carga que sea más pesada que la capacidad de carga de cualquier grúa en uso.

**No** modifique este producto de ninguna manera.

**No** lo use para otras funciones excepto aquellas para las que está destinado este producto

**No** quite, desfigura ni oculte las etiquetas de advertencia.

**No** permita que la carga se balancee o se mueva. Opere suavemente para evitar cargas de choque.

**No** levante ninguna carga que no esté ubicada directamente debajo de la grúa. Este producto no está diseñado para arrastrar una carga hacia los lados.

**No** envuelva la carga con el cable metálico. Use solo una eslinga u otro dispositivo aprobado por el fabricante.

**No** opere sin 4 vueltas de cable de anclaje alrededor del tambor del cabrestante.

**No** opere sin asegurarse de que el cable esté bien sujeto al tambor del cabrestante.

**No** opere sin verificar la lubricación adecuada.

**No** coloque las manos en áreas con partes móviles como roldanas, cables y engranajes.

**No** levantar personas.

**No** levante cargas sobre las personas.

**No** opere hasta que se advierta al personal sobre las cargas que se aproximan y se retiren del área.

**No** deje una carga suspendida desatendida.

**No** sustituya pasadores de menor diámetro. Use solo los pasadores suministrados con la grúa.

**No** opere ni almacene la grúa en un ambiente que exceda los 120 grados Fahrenheit.

**No** use cadenas, cables o dispositivos rígidos para levantar la grúa. Nylon u otras eslingas sintéticas deben usarse en su lugar.



# Inspección inicial de la grúa

Chequee por daños ocurridos durante el envío. No instale ni use un producto dañado. Asegúrese de mantener registros de la información del producto y comuníquese con su distribuidor OZ Lifting Products LLC® por cualquier problema que surja.

Consulte los códigos y reglamentos aplicables antes de instalar el equipo. Póngase en contacto con un profesional calificado para obtener las especificaciones de estructura y base para el montaje del producto.

## Antes de instalar, seleccione una ubicación donde la grúa esté:

- Visible durante toda su operación.
- Libre de tráfico y cualquier posible interferencia operativa.
- Posicionado de manera que el operador esté libre tanto de la carga como del recorrido del cable metálico.
- Accesible para mantenimiento.
- Unida a una base sólida y nivelada que puede soportarla adecuadamente en todas las condiciones.
- Retirada de cualquier material corrosivo, inflamable, explosivo o potencialmente dañino.

Consulte el diagrama en la pág. 8 antes de montar la grúa.

Inspeccione la grúa para asegurarse de que no falten piezas o que estén dañadas. No deseche los contenedores de envío de la grúa, ya que pueden reutilizarse si la grúa necesita ser reempacada. Póngase en contacto con su distribuidor OZ Lifting Products LLC® si surge algún problema.

Asegúrese de que todos los componentes, incluido el pasador de la polea de carga, estén lubricados adecuadamente antes del montaje. Consulte Limpieza y lubricación de la grúa en la pág.11.

Durante el montaje, realice una inspección de acuerdo con los procedimientos que se encuentran en las págs. 11, 12 y 13 en este documento y resuelva cualquier problema. Esto proporcionará una comparación para inspecciones posteriores.

# Instalando la base

**NOTA:** La base que acompaña a la **grúa pescante CompOZite** se vende por separado a través de los distribuidores de OZ Lifting Products LLC®. Es necesario para el correcto funcionamiento de este producto.

La base debe estar bien sujeta a la superficie de montaje con sujetadores de rosca gruesa de ½-13-pulgadas de al menos grado 5. Se debe usar un torque de 75 pies / lb para los sujetadores de grado 5 sin lubricación.

Asegúrese de que la superficie de montaje esté ubicada directamente sobre una base fuerte, nivelada y sólida que soporte la grúa en todas las circunstancias.

Los productos no estándar que han sido alterados del diseño original pueden tener requisitos de fijación adicionales. Póngase en contacto con su distribuidor OZ Lifting Products LLC® para obtener más información.

# Montando la grúa

## Ensamblado

**NOTA:** Los sujetadores no deben apretarse demasiado durante el montaje, ya que esto puede dañar las roscas y provocar daños. Para el montaje, se incluyen tres pasadores de horquilla, marcados 1 y 2. Los dos pasadores marcados con # 2 son idénticos. Ambos son necesarios para el montaje.

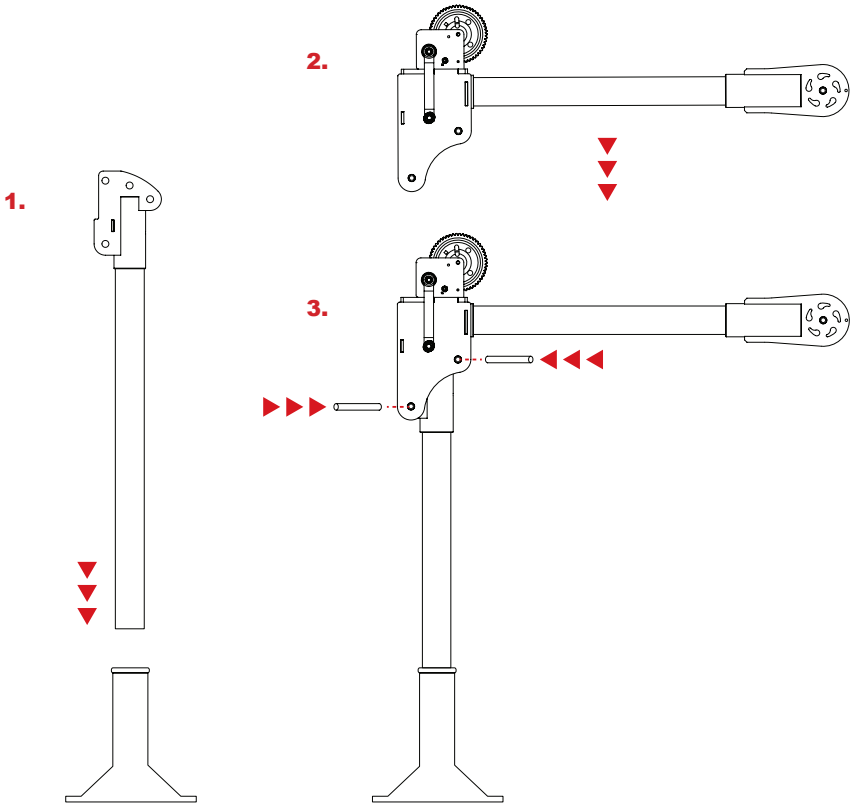
Una vez que se haya instalado la base OZ Lifting Products LLC®, ensamble la grúa con los siguientes pasos:

1. Retire el pasador de linchamiento del pasador número 2 que se utiliza como bisagra y retire el pasador del conjunto de mástil / pluma. Esto liberará el mástil de la pluma.
2. Instale el mástil en la base. **NOTA:** el conjunto de mástil / pluma puede moverse libremente. El mástil se deslizará fácilmente hacia la base (no se necesitan herramientas). Asegúrese de que el mástil esté colocado correctamente en el pasador en la parte inferior de la base. Esto se puede confirmar moviendo el mástil de lado a lado para verificar si hay juego excesivo. El mástil debe quedar bien ajustado.
3. Retire el pasador de linchamiento del pasador número 2 ubicado en el mástil y retire el pasador del mástil.
4. Levante la pluma a su posición de manera que quede a 90 grados del mástil e inserte pasadores y pasadores de linchamiento.

**NOTA:** Si suelta la pluma antes de instalar los pasadores y los pasadores de linchamiento, la pluma puede columpiarse hasta mástil. Esto podría provocar lesiones o daños al producto.

**NOTA:** La grúa pescante **CompOZite-Elite** se enviará de fábrica parcialmente ensamblada.

# Diagrama de ensamblaje



## Prueba de Campo

No existe un estándar ASME para grúas pescantes. Las grúas pescantes de OZ Lifting Products tienen un factor de diseño mínimo de 3:1. Realizamos pruebas de carga y certificamos individualmente cada grúa pescante al 125% de la capacidad nominal. Se genera un certificado de prueba que incluye el número de serie y una foto de la grúas pescantes bajo carga.

Si se requiere una prueba de carga en el sitio, le recomendamos que se comunique con un ingeniero civil para determinar si la base se ha montado correctamente en un lugar seguro. Proporcionamos la información sobre el momento en que una base se separa de los pernos de montaje.

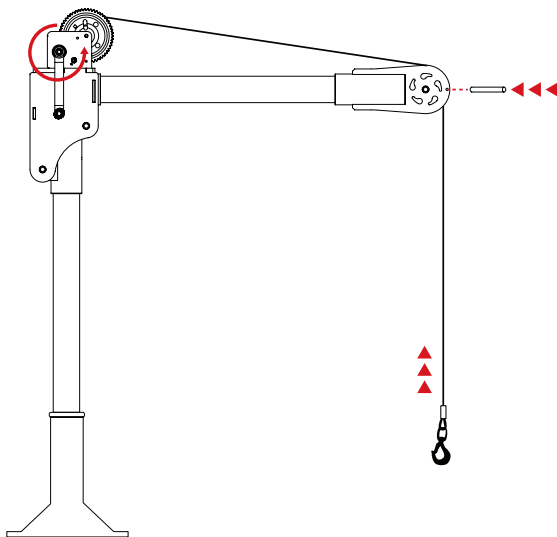
# Instalando el cable

El conjunto de cables OZ Lifting Products LLC® que se puede pedir con la **grúa pescante CompOZite** vendrá con un extremo de bola para facilitar el montaje. También se puede usar cable de extremo estándar. Se incluye el hardware para la instalación del cable de extremo estándar. Consulte el manual del operador del cabrestante adjunto para obtener instrucciones sobre cómo instalar un cable de extremo estándar.

Para instalar el cable suministrado por OZ Lifting Products LLC®:

1. Extienda el cable sobre una superficie plana para asegurarse de que no esté anudado ni enrollado.
2. Retire el pasador de retención del cable del extremo de la polea de la pluma.
3. Localice el extremo de la bola del cable.
4. Localice el "ojo de la cerradura" en el tambor del cabrestante que acepta el extremo de la bola del cable.
5. Pase el extremo de la bola del cable sobre la polea de carga y hacia el cabrestante.
6. Vuelva a insertar el pasador de retención del cable.
7. Inserte la conexión del extremo de bola del cable en el "ojo de cerradura" del cabrestante.
8. Asegúrese de que el extremo de la bola del cable se deslice dentro de la ranura en el "ojo de la cerradura" y no se pueda sacar.
9. Enrolle manualmente al menos 4 vueltas completas de cable en el tambor del cabrestante. Debe haber al menos 4 vueltas de cable de anclaje completo en el tambor del cabrestante en todo momento.

**NOTA:** Para garantizar que la cantidad máxima de cable se pueda enrollar en el cabrestante, el cable se debe enrollar cuidadosamente en el tambor del cabrestante. Si el cable no se enrolla perfectamente en el tambor del cabrestante, la capacidad del cable se reducirá y el esfuerzo del mango puede aumentar. El cable que no se enrolla perfectamente puede consumir un 30% más de espacio en el tambor del cabrestante, lo que reduce la capacidad del cable.



# Operando la grúa

## Advertencias y Precauciones

Los operadores deben leer y comprender completamente este manual completo y todas las advertencias en la **grúa pescante CompOZite-Elite** antes de comenzar la operación de la grúa. Si este manual no se lee y se sigue por completo, pueden producirse lesiones y daños. Si tiene preguntas sobre la operación, comuníquese con su distribuidor OZ Lifting Products LLC®.

Antes de operar la grúa, asegúrese de que todas las piezas estén limpias y correctamente lubricadas. La grúa debe estar en buenas condiciones de funcionamiento y los registros de mantenimiento deben estar actualizados para continuar con la operación. El área de operación debe estar libre de materiales inflamables.

Es importante mantener una posición segura mientras opera la grúa. Confirme que la grúa esté unida de forma segura a una base sólida, nivelada y sólida antes de la operación. Lentamente tome una carga, verificando que esté bien soportada y equilibrada antes de continuar con la operación.

### Todos los operadores DEBEN:

- Capacitarse en la operación adecuada de la grúa y en el manejo de posibles fallos de funcionamiento.
- Abstenerse del uso de alcohol, medicamentos o drogas durante la operación.
- Evite la operación mientras está cansado o distraído.
- Evite la operación si tienen antecedentes de convulsiones u otros problemas médicos que pueden interferir con la operación de la grúa.
- Tener una coordinación y visión adecuada.

## Pautas operativas

La **grúa pescante CompOZite-Elite** de OZ Lifting Products LLC® tiene una capacidad de carga máxima operativa de 1200 lb. a 45 grados (vea la tabla de clasificación en la página 14). La **grúa pescante CompOZite-Elite** es capaz de generar fuerzas que exceden esta capacidad de carga máxima, pero esto no debe intentarse.

**NOTA:** Es responsabilidad del usuario asegurarse de que las cargas que se manejan estén dentro de los límites operativos de la **grúa pescante CompOZite-Elite** en todo momento. Las cargas de choque se deben minimizar, ya que pueden conducir a fuerzas superiores a la capacidad nominal de la **grúa pescante CompOZite-Elite**.

Se proporciona una tabla de clasificación de carga en la pág. 14, así como en la **grúa pescante CompOZite-Elite**. Esta tabla de clasificación de carga se calcula en función tanto de la posición de la pluma de la grúa como de la cantidad de cable enrollado en el tambor del cabrestante. Si bien la posición de la pluma de la grúa no debe cambiar durante un levantamiento, la cantidad de cable que se enrolla en el cabrestante cambiará durante un levantamiento (especialmente durante levantamientos largos).

**NOTA:** Es responsabilidad del usuario determinar la cantidad máxima de cable que se enrollará en el cabrestante en cualquier momento dado durante el levantamiento y que la carga sea levantada como se corresponde.

El cabrestante manual que se suministra con la **grúa pescante CompOZite-Elite** ha sido elegido específicamente para que coincida con la clasificación de la grúa. El mango de desconexión rápida de este cabrestante también se ha diseñado específicamente para funcionar dentro del rango de carga del cabrestante. El esfuerzo requerido para operar el cabrestante a la capacidad nominal máxima será significativo. Esta es una característica de diseño intencional y no un defecto. El mayor esfuerzo requerido cuando se acerca a la capacidad nominal (en cualquier porcentaje de la capacidad del tambor) es una señal de que la carga que se está elevando puede ser demasiado pesada.

**NOTA:** Verifique el peso de la carga que se levanta y reduzca el peso si es necesario.

Esta **grúa pescante CompOZite-Elite** tiene una estructura principal hecha de material de fibra de carbono. A la carga nominal máxima, este material compuesto avanzado puede exhibir una desviación muy leve. La grúa volverá a su posición original al liberar la carga. **En ningún momento la grúa debe emitir ruidos anormales durante el uso.** Por cualquier sonido anormal se debe remover la carga e inspeccionar. Existen múltiples fuentes de ruidos anormales que incluyen, entre otros:

- Si el cable no se enrolla cuidadosamente, bajo tensión, cuando se aplica carga.
- Si la grúa está severamente sobrecargada.
- Si la grúa ha sufrido daños severos por abuso y / o mal manejo.

**NOTA:** Esta lista no es exhaustiva y no cubre todas las posibilidades.

## Limpieza y lubricación de la grúa

La **grúa pescante CompOZite-Elite** debe limpiarse periódicamente para preservar su apariencia y evitar la corrosión. La **grúa pescante CompOZite-Elite** durará más y funcionará mejor cuando se mantenga limpia y lubricada.

**NOTA:** No se deben usar disolventes en ninguna parte de la **grúa pescante CompOZite-Elite** para la limpieza ni para ningún otro propósito.

### Instrucciones:

1. Limpie las superficies de la grúa con un paño húmedo. Los detergentes no son necesarios.
2. Las superficies de aluminio son anodizadas. Limpie las superficies de escombros. No es necesario engrasar los componentes ya que son impermeables a la corrosión por humedad.
3. Lubrique las superficies de los cojinetes del eje en el cabrestante con una capa ligera de grasa, teniendo cuidado de que no penetre aceite ni grasa en las pastillas de freno del cabrestante.

**NOTA:** No se deben aplicar lubricantes de ningún tipo a los frenos en el cabrestante. Si las pastillas de freno se contaminan con aceite, pueden resbalar.

4. Elimine el exceso de aceite con un paño limpio.
5. Lubrique el buje en la polea de carga con una capa ligera de grasa.

## Inspeccionando la Grúa

Para mantener la operación de calidad del producto, cada operador debe seguir un cronograma de inspección regular. Todas las inspecciones deben informarse y mantenerse en un registro fechado. Estos registros deben estar disponibles para todo el personal involucrado con el producto y deben estar disponibles para OZ Lifting Products LLC® cuando se trate de un problema de garantía.

## Definiciones

**Persona designada:** una persona que es seleccionada o asignada como competente para realizar las tareas específicas a las que está asignada.

**Persona calificada:** una persona que al poseer un título o certificado reconocido de prestigio profesional, o mediante un amplio conocimiento, capacitación y experiencia, ha demostrado con éxito que puede resolver problemas relacionados con el tema y el trabajo.

**Servicio normal:** servicio que implica la operación con cargas distribuidas aleatoriamente dentro del límite de carga nominal, o cargas uniformes inferiores al 65% de la carga nominal durante no más del 15% del tiempo.

**Servicio pesado:** servicio que implica la operación dentro del límite de carga nominal y excede el servicio normal.

**Servicio severo:** servicio que implica un servicio normal o pesado con condiciones de funcionamiento anormales

## Clasificaciones de inspección

**Inspecciones frecuentes:** el operador o la persona designada realiza inspecciones frecuentes haciendo un examen visual y escuchando sonidos inusuales durante la operación. Estas inspecciones generalmente se realizan antes de cada operación, cada pocas horas en operación y si surgen problemas.

**Inspecciones periódicas:** una persona designada realiza inspecciones periódicas, que son inspecciones más detalladas, mediante exámenes visuales de las condiciones internas y externas. Estas inspecciones se realizan en el siguiente horario:

- Servicio normal: semestralmente
- Servicio pesado: trimestral
- Servicio severo: inmediatamente después de completar el levantamiento
- \* También realice después de un almacenamiento prolongado o si surgen problemas de operación.

**NOTA:** Etiquete la grúa como "Fuera de servicio" si una inspección considera que está dañada o si se requiere mantenimiento. No quite esta etiqueta hasta que una persona calificada haya resuelto el problema. Suspense el uso de cables y equipos si se producen daños o sobrecargas.

## Notas importantes de inspección

- Los frenos requieren más que una inspección audible y visual. Revise los frenos diariamente operando la grúa con y sin carga y deteniéndose en varias posiciones para garantizar una operación segura. Si la carga se desliza o se arrastra, contacte a la fábrica para reemplazar los discos de fricción.
- La inspección adecuada puede requerir el desmontaje de algunas partes. Póngase en contacto con la fábrica de OZ Lifting Products LLC® antes de hacerlo o la garantía aplicable puede ser anulada.
- Para inspecciones de cables, comuníquese con el fabricante específico del cable. La inspección provista en la siguiente tabla es solo para una inspección general y no es de ninguna manera la inspección completa requerida.
- Antes de la operación, asegúrese de que se resuelvan todas las deficiencias en el cuadro de inspección y que las inspecciones estén actualizadas. Consulte la tabla de solución de problemas en la pág. 15 para asistencia adicional.
- Tenga en cuenta los códigos y reglamentos aplicables para la inspección de grúas.
- Consulte el manual del operador del cabrestante específico para obtener instrucciones de inspección completas.



# Tabla de inspección

**NOTA:** Desmonte periódicamente la grúa, incluyendo la pluma y el cabrestante, para inspeccionar cada uno por daños. Use la siguiente tabla para determinar qué tipo de inspección es necesaria. Inspección frecuente (F) e Inspección periódica (P).

Ubicación	Comprobar	F	P
<b>Crane</b>	Daños, grietas, óxido, picaduras, abolladuras, desgaste excesivo o corrosión	X	
	Sonidos inusuales	X	
	Movimiento suave de carga	X	
	Equipos debidamente lubricados	X	
	Señales de sobrecarga (grietas, abolladuras o daños)		X
	Función adecuada cuando se opera con una carga igual a la capacidad de carga		X
<b>Fundamento</b>	Buen estado / soporta la grúa en todas las condiciones	X	
	Nivel, sin desviarse de la pluma	X	
	Grietas, corrosión, daños (verificar quitando la base de la grúa)		X
<b>Sujetadores</b> (incluyendo sujetadores de montaje)	Instalado firmemente	X	
	Apretado apropiadamente	X	
	Hilos pelados, doblados o dañados (verificar quitando la base de la grúa)		X
<b>Manija</b>	Gira libremente en ambas direcciones	X	

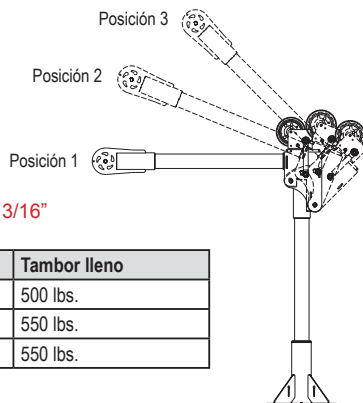
**NOTA:** Consulte el manual del operador del cabrestante para ver su tabla de inspección.

## Reparos

Todos los reparos deben tener autorización de fábrica. Póngase en contacto con OZ Lifting Products LLC® para evitar la anulación de la garantía limitada de un año y los posibles daños.

Realice las inspecciones recomendadas para identificar qué partes deben reemplazarse. Utilice únicamente piezas de repuesto de OZ Lifting Products LLC®. Para pedir piezas de repuesto, comuníquese con su distribuidor local OZ Lifting Products LLC®. Tenga a mano el número de serie, el número de pieza y una descripción cuando llame.

# Capacidad de carga



\*Tabla basada en cable de acero de 1/4" | Cable Ultrax Sintético de 3/16"

Capacidad (lbs.)	Primera Capa	Medio Tambor	Tambor lleno
Posición de pluma 1 (0°)	500 lbs.	500 lbs.	500 lbs.
Posición de pluma 2 (+22.5°)	700 lbs.	700 lbs.	550 lbs.
Posición de pluma 3 (+45°)	1200 lbs.	875 lbs.	550 lbs.

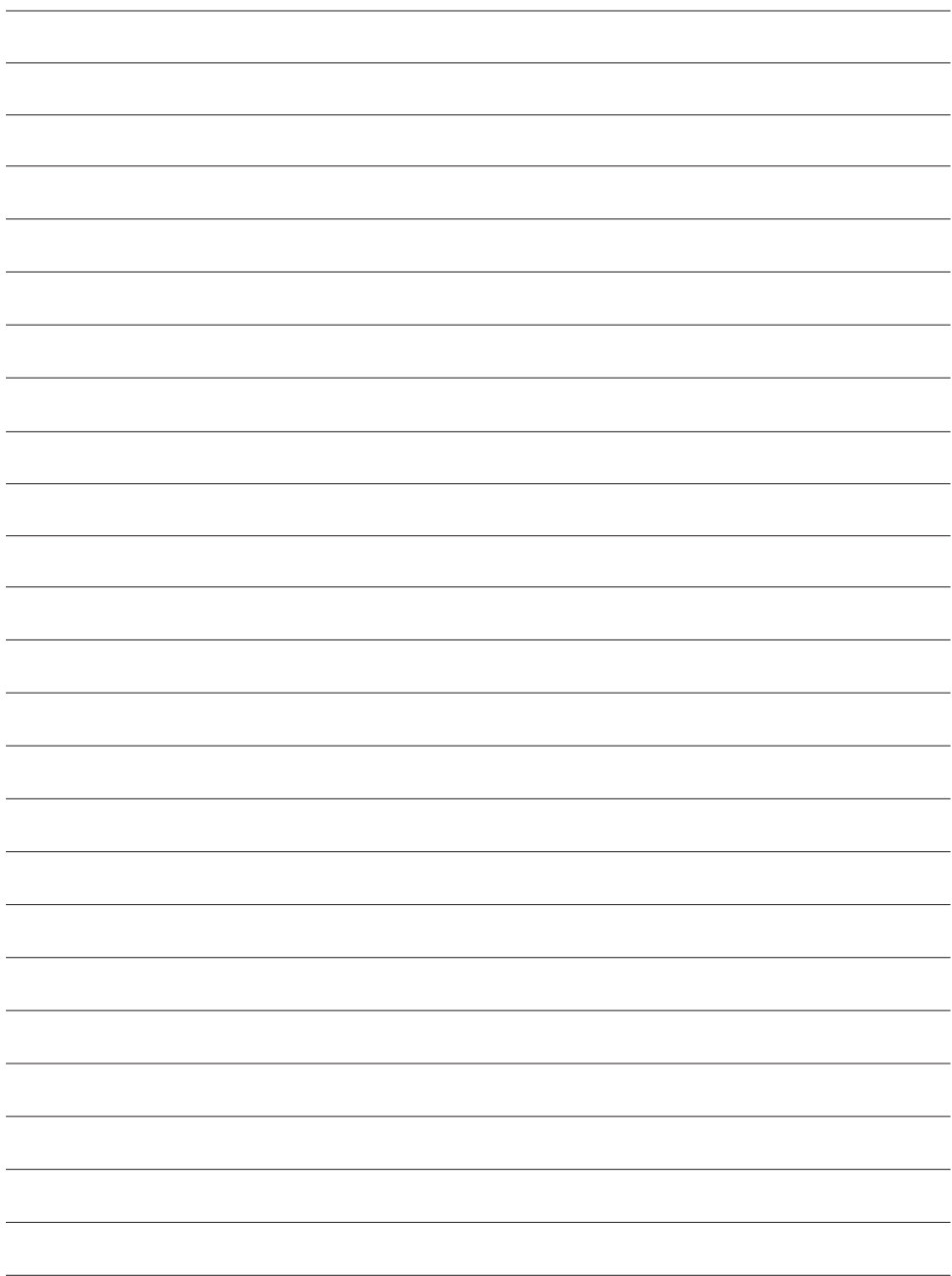
\*Tabla basada en cable de acero de 3/16"

Capacidad (lbs.)	Primera Capa	Medio Tambor	Tambor lleno
Posición de pluma 1 (0°)	500 lbs.	500 lbs.	500 lbs.
Posición de pluma 2 (+22.5°)	700 lbs.	700 lbs.	550 lbs.
Posición de pluma 3 (+45°)	800 lbs.	800 lbs.	550 lbs.

## Tabla de solución de problemas

Póngase en contacto con OZ Lifting Products LLC® si es necesario desmontar la grúa. La garantía limitada de un año se anulará si esto no se hace.

Problema	Causa posible	Corrección
Distancia de frenado muy larga	Los discos están desgastados, dañados o sobre lubricados	Reemplazar
	Trinquete de freno de disco dañado o desgastado	Reemplazar
Desgaste excesivo en engranajes y cojinetes.	Sobrecargado	Reducir la carga
	Lubricación inadecuada	Relubricar
Chirrido agudo	Lubricación inadecuada	Relubricar
Ruido de molienda	Cable mal enrollado, cable engranado en el tambor	Vuelva a enrollar el cable de manera uniforme bajo tensión
	Frenos o engranajes sucios	Limpiar
	Engranajes o cojinetes rotos	Reemplazar
Traqueteo	Pernos flojos, tornillos, sujetadores	Apretar
Pluma gira por su cuenta	Superficie de montaje sin nivel o insegura	Reparar
	Mástil doblado o dañado	Reparar
Pluma rebota	Sobrecargado	Reduzca la carga e inspeccione la grúa en busca de daños
	Pernos de montaje flojos	Apretar para corregir la torsión
	Superficie de montaje sin nivel o insegura	Reparar
	Engranajes del cabrestante desgastados o dañados	Reparar
	Polea desgastada o dañada	Reparar





5455 W. 6th St.  
P.O. Box 845  
Winona, MN 55987  
Phone (800) 749-1064  
(507) 474-6250  
Fax (507) 452-5217  
sales@ozliftingproducts.com  
**www.ozliftingproducts.com**