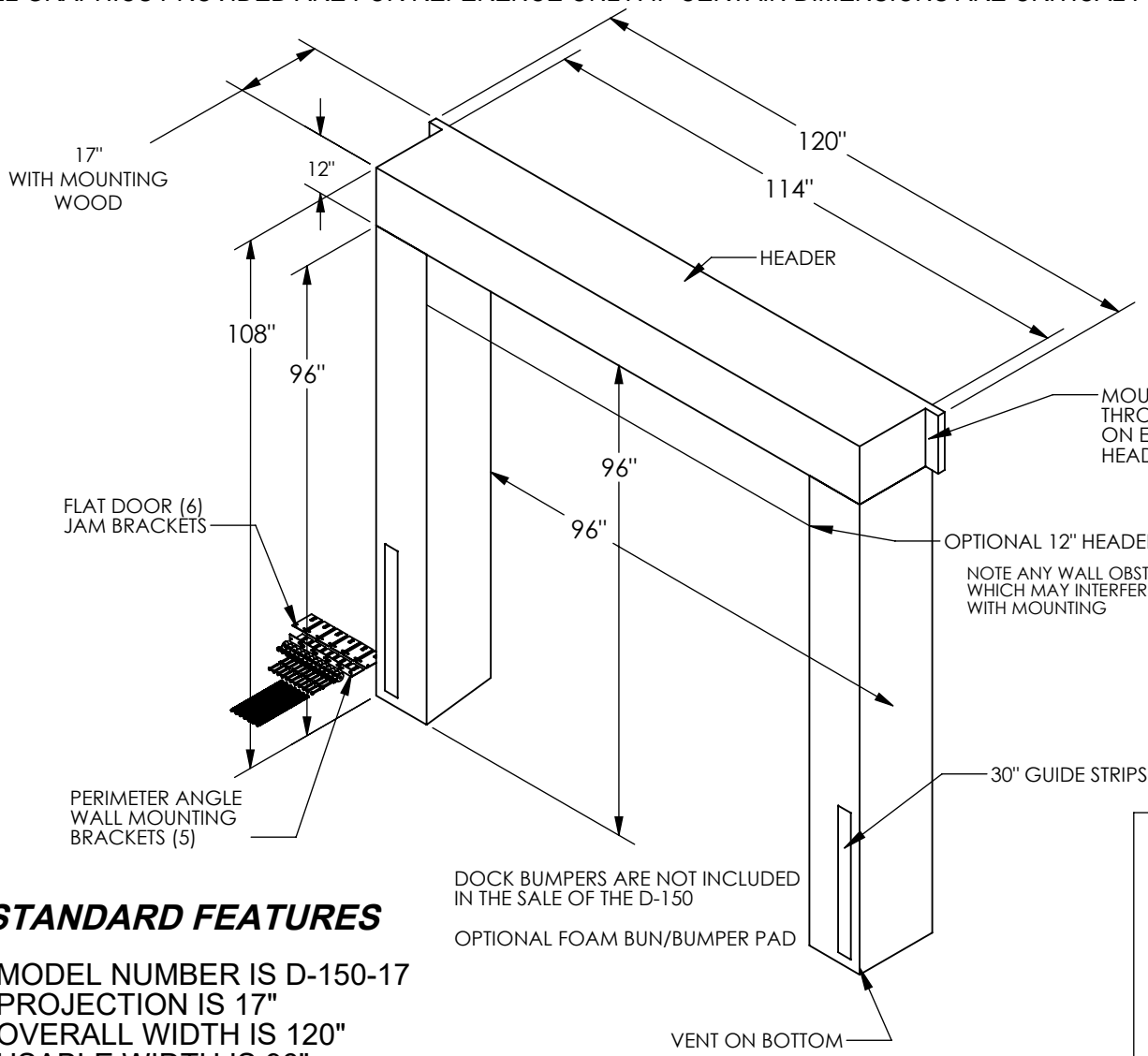


DOCK SEAL - D-150-17

APPROX WEIGHT: 129.98 lbs.
DOES NOT INCLUDE WEIGHT OF POWER OR PACKAGING!!!

*** ANY ADDITIONS, DELETIONS, OR OMISSIONS MUST BE CORRECTED ON THIS DRAWING AS THIS DRAWING WILL BE CONSIDERED ALL INCLUSIVE ***
ALL GRAPHICS PROVIDED ARE FOR REFERENCE ONLY. IF CERTAIN DIMENSIONS ARE CRITICAL PLEASE VERIFY THOSE DIMENSIONS WITH YOUR SALESPERSON



*OPTIONS:

- FULL HEIGHT GUIDE STRIPS, (30" STANDARD)
 - 18" HIGH HEADER (12 STANDARD)
 - 12" HEADER FLAT
 - BOTTOM FOAM BUN / BUMPER PAD
 - 54 OUNCE FACING
 - SLOPED VERTICAL SIDES DOR INCLINED OR DECLINED DOCK APPROACH
 - ARMOUR PLEATS
 - TOP THREE FEET 8" EXPOSURE
 - FULL HEIGHT 8" EXPOSURE
 - FULL HEIGHT 4" EXPOSURE (MOST PROTECTION)
- *AVAILABLE AT ADDITIONAL COSTS

UNIT IS SPECIAL AND NON RETURNABLE

DIMENSION TOLERANCE ± 1/4"

STANDARD FEATURES

MODEL NUMBER IS D-150-17
PROJECTION IS 17"
OVERALL WIDTH IS 120"
USABLE WIDTH IS 96"
OVERALL HEIGHT IS 108"
USEABLE HEIGHT IS 96"

SPECIAL FEATURES

NONE

DOCK BUMPERS ARE NOT INCLUDED IN THE SALE OF THE D-150
OPTIONAL FOAM BUN/BUMPER PAD

** ANY ADDITIONS, DELETIONS, OR OMISSIONS MUST BE CORRECTED ON THIS DRAWING, AS THIS DRAWING WILL BE CONSIDERED ALL INCLUSIVE. **

A P P R O V A L	I, THE UNDERSIGNED, AGREE THAT THE PRODUCT AS REPRESENTED SATISFIES DESIGN AND DIMENSION REQUIREMENTS. I ALSO ACKNOWLEDGE MY DUTY TO CONFIRM PRODUCT AND INSTALLATION COMPLIANCE WITH ALL APPLICABLE FEDERAL, STATE AND LOCAL REGULATIONS AND STANDARDS.	
	UNITS REQUIRING APPROVAL DRAWINGS OR MODIFIED ARE NON-RETURNABLE	
	[] As drawn [] As marked	
	Signed: _____	Date: _____
Printed Name: _____		
LEAD TIME WILL START UPON RECEIPT OF SIGNED APPROVAL DRAWING		

DISTRIBUTOR'S NAME:		P.O.#
VESTIL MANUFACTURING		X
DRAWN BY: BCN		W.O.#
DATE: 2/25/2016		X
REFERENCE: X		SALES: X
QUOTED LEAD TIME: X		SCALE: 1:30
QUOTE # X		FILE NAME:
		35-007-017