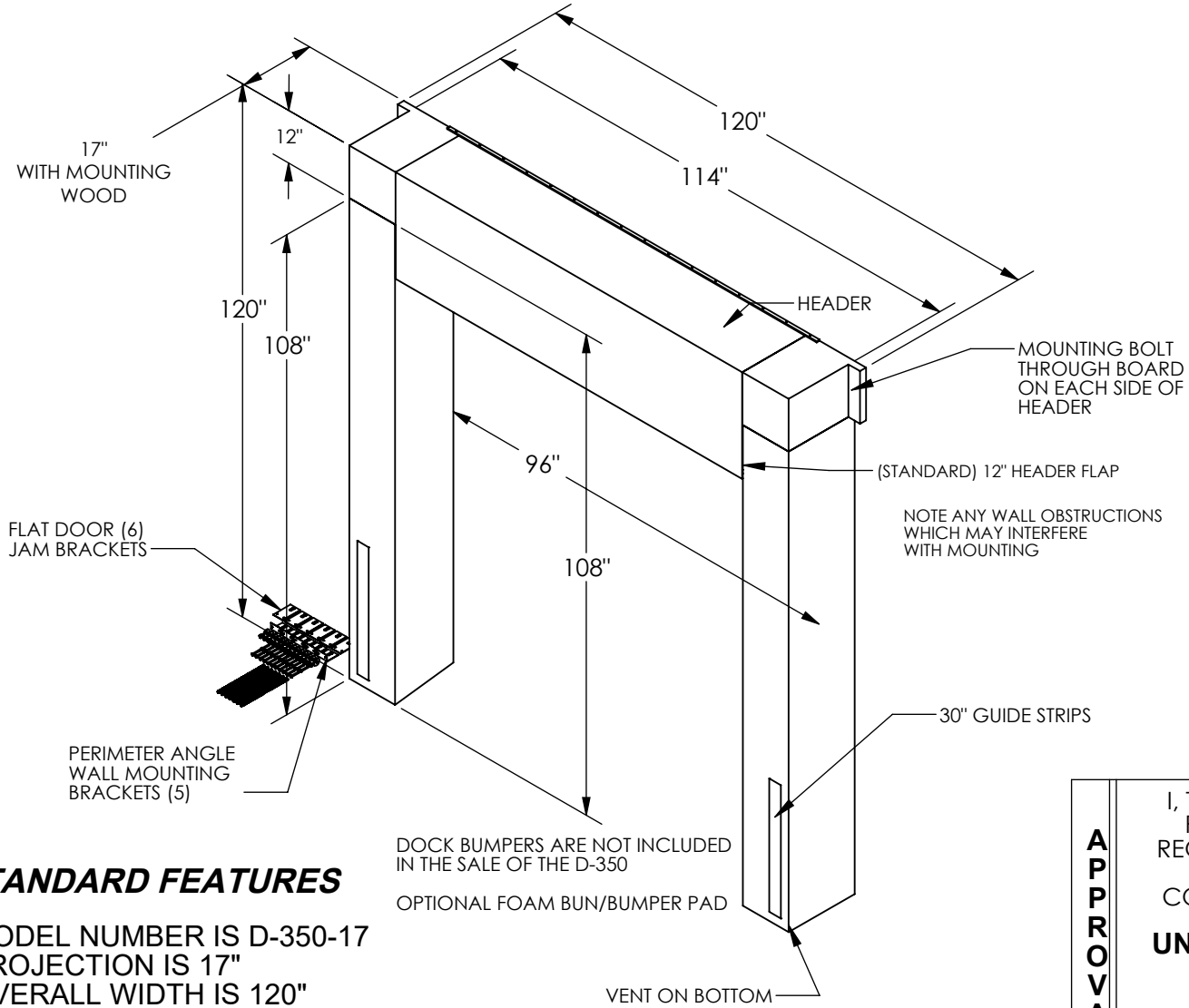


# DOCK SEAL - D-350-17

APPROX WEIGHT: 146.16 lbs.  
DOES NOT INCLUDE WEIGHT OF POWER OR PACKAGING!!!

\*\*\* ANY ADDITIONS, DELETIONS, OR OMISSIONS MUST BE CORRECTED ON THIS DRAWING AS THIS DRAWING WILL BE CONSIDERED ALL INCLUSIVE \*\*\*  
ALL GRAPHICS PROVIDED ARE FOR REFERENCE ONLY. IF CERTAIN DIMENSIONS ARE CRITICAL PLEASE VERIFY THOSE DIMENSIONS WITH YOUR SALESPERSON



## \*OPTIONS:

- FULL HEIGHT GUIDE STRIPS, (30" STANDARD)
  - 18" HIGH HEADER (12 STANDARD)
  - 12" HEADER FLAT
  - BOTTOM FOAM BUN / BUMPER PAD
  - 54 OUNCE FACING
  - SLOPED VERTICAL SIDES DOR INCLINED OR DECLINED DOCK APPROACH
  - ARMOUR PLEATS
    - TOP THREE FEET 8" EXPOSURE
    - FULL HEIGHT 8" EXPOSURE
    - FULL HEIGHT 4" EXPOSURE (MOST PROTECTION)
- \*AVAILABLE AT ADDITIONAL COSTS

**UNIT IS SPECIAL AND NON RETURNABLE**

DIMENSION TOLERANCE ± 1/4"

## STANDARD FEATURES

MODEL NUMBER IS D-350-17  
PROJECTION IS 17"  
OVERALL WIDTH IS 120"  
USABLE WIDTH IS 96"  
OVERALL HEIGHT IS 120"  
USEABLE HEIGHT IS 108"

## SPECIAL FEATURES

NONE

DOCK BUMPERS ARE NOT INCLUDED IN THE SALE OF THE D-350  
OPTIONAL FOAM BUN/BUMPER PAD

\*\* ANY ADDITIONS, DELETIONS, OR OMISSIONS MUST BE CORRECTED ON THIS DRAWING, AS THIS DRAWING WILL BE CONSIDERED ALL INCLUSIVE. \*\*

<b>A P P R O V A L</b>	I, THE UNDERSIGNED, AGREE THAT THE PRODUCT AS REPRESENTED SATISFIES DESIGN AND DIMENSION REQUIREMENTS. I ALSO ACKNOWLEDGE MY DUTY TO CONFIRM PRODUCT AND INSTALLATION COMPLIANCE WITH ALL APPLICABLE FEDERAL, STATE AND LOCAL REGULATIONS AND STANDARDS.	
	<b>UNITS REQUIRING APPROVAL DRAWINGS OR MODIFIED ARE NON-RETURNABLE</b>	
	[ ] As drawn      [ ] As marked	
	Signed: _____ Date: _____	
Printed Name: _____		
<b>LEAD TIME WILL START UPON RECEIPT OF SIGNED APPROVAL DRAWING</b>		

DISTRIBUTOR'S NAME:		P.O.#
<b>VESTIL MANUFACTURING</b>		X
DRAWN BY: BCN		W.O.#
DATE: 3/7/2016		X
REFERENCE: X		SALES: X
QUOTED LEAD TIME: X		FILE NAME:
QUOTE # X		35-007-028
SCALE: 1:32		