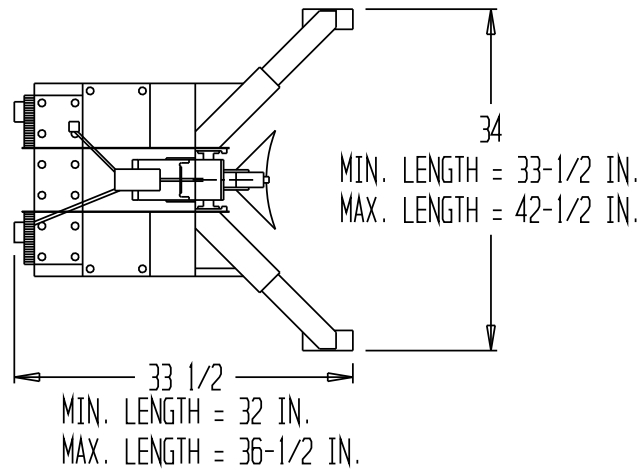
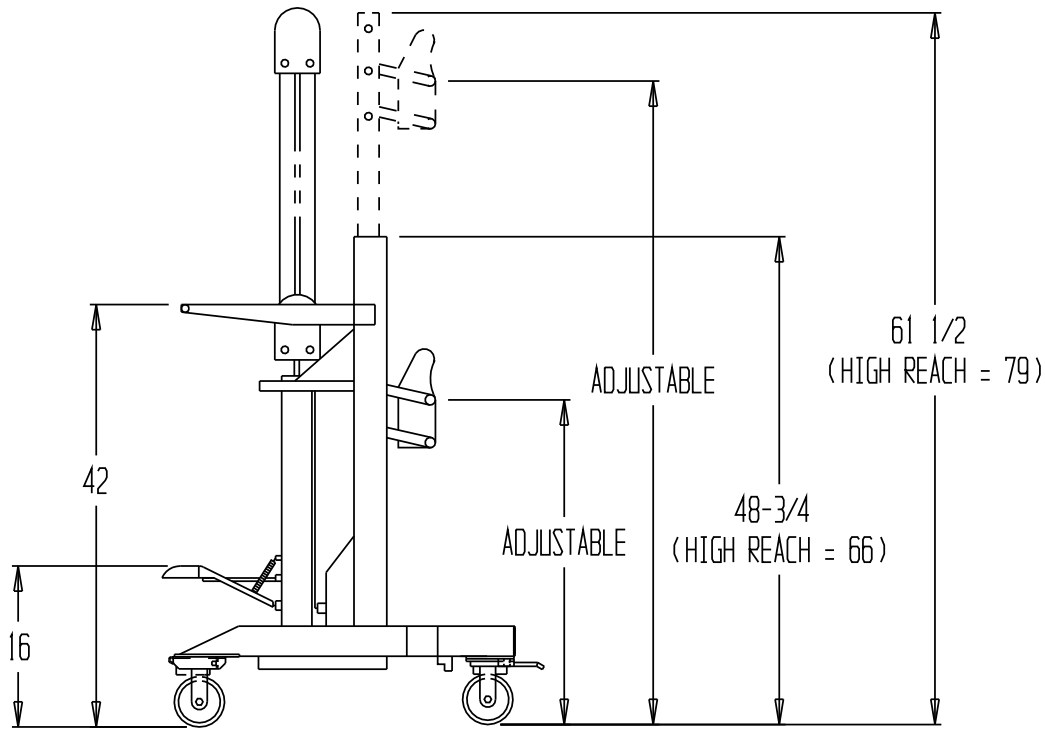


# PORTABLE DRUM JACK - DRUM-55-FSP



PRODUCTION WILL START UPON  
RECEIPT OF SIGNED APPROVAL  
DRAWING

## STANDARD FEATURES

PORTABLE DRUM JACK MODEL DRUM-55-FSP  
 OVERALL LENGTH IS 36-1/2 INCHES  
 OVERALL WIDTH IS 42-1/2 INCHES  
 DRUM LIFT HEIGHT IS 18 INCHES  
 CAPACITY IS 800 LBS.  
 HANDLES 55 GALLON STEEL, POLY, OR FIBER DRUMS

### APPROVAL

I, the undersigned, hereby approve this print  
 As drawn       As marked  
 This includes my approval of design & dimensions.  
 Signed: \_\_\_\_\_  
 Date: \_\_\_\_\_

\*\*SPECIAL UNITS ARE NON-RETURNABLE  
 \*AVAILABLE AT ADDITIONAL COSTS

DISTRIBUTOR'S NAME: <b>T &amp; S EQUIPMENT</b>		P.O.#: _
DRAWN BY: _		W.O.#: _
DATE: _	SALES: _	
REFERENCE: _	DRWG./FILE NAME: 30-007-036	
scale: 1:20		