

HA ROV Shank Hook

The HA ROV shank hook has been specifically developed for subsea lifting operations which require rigging to be assembled and disassembled by an ROV. The long shank allows ROV manipulators to grip the hook and manoeuvre it into position. The hook's bright orange colour increases visibility in low light conditions.

Material: Alloy steel, grade 8.

Colour: Hackett offshore orange. RAL 3025.

Standards: EN1677
ASME B30.26

Temperature Range: -40° to 200°C

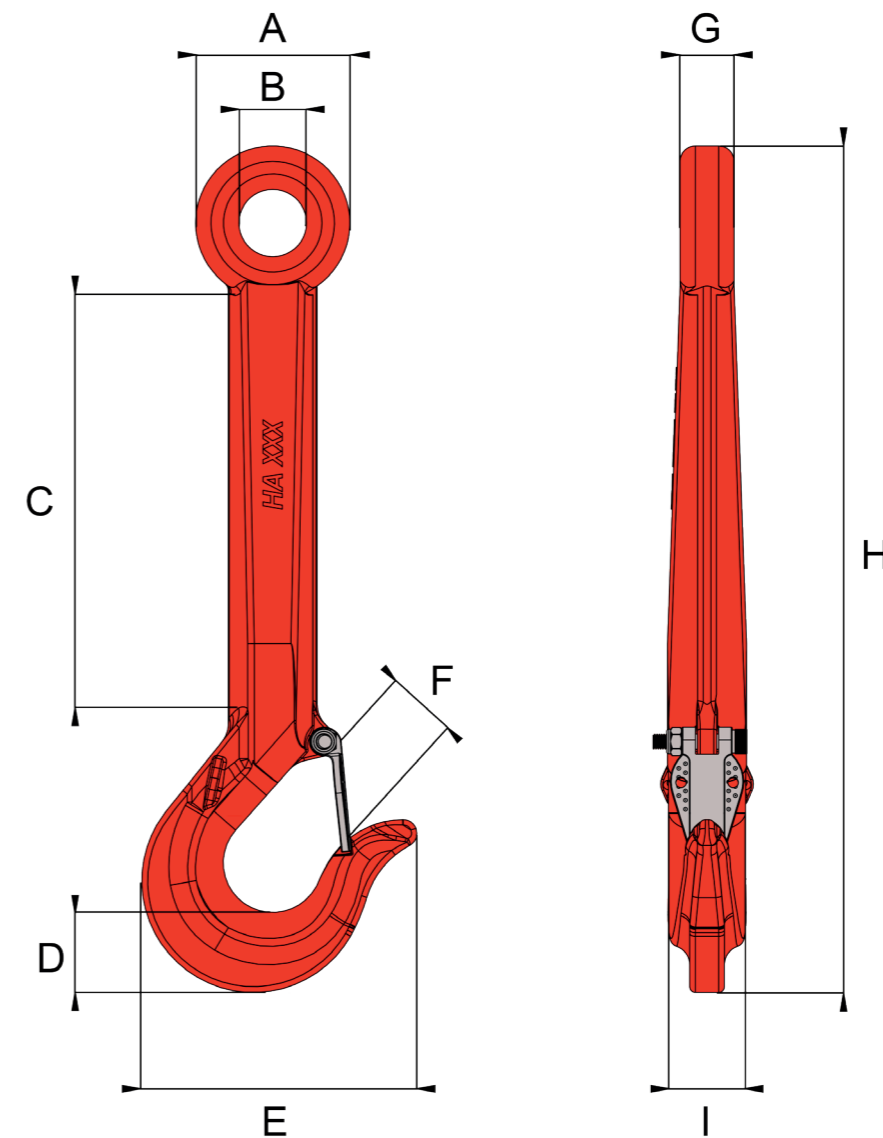
Finish: Powder coated.

Latches: Robust butterfly latch design, for wire rope engagement. Spares available on request.

N.D.T: All units are MPI tested.

Proof Load: 2.5 x WLL.

M.B.L.: 4 x WLL.



Metric Specifications

PART CODE	WLL t	A mm	B mm	C mm	D mm	E mm	F mm	G mm	H mm	I mm	MASS kg
8-H28-06	6.5	80.0	35.0	255.0	41.0	145.0	35.0	28.0	440.0	40.0	5.0
8-H28-12	12.5	95.0	45.0	225.0	50.0	171.0	45.0	40.0	477.0	50.0	9.0
8-H28-25	25.0	130.0	55.0	214.0	65.0	208.0	57.5	47.0	555.0	72.0	14.0

HA ROV Shank Hook

The HA ROV shank hook has been specifically developed for subsea lifting operations which require rigging to be assembled and disassembled by an ROV. The long shank allows ROV manipulators to grip the hook and manoeuvre it into position. The hook's bright orange colour increases visibility in low light conditions.

Material: Alloy steel, grade 8.

Colour: Hackett offshore orange. RAL 3025.

Standards: EN1677
ASME B30.26

Temperature Range: -40° to 200°C

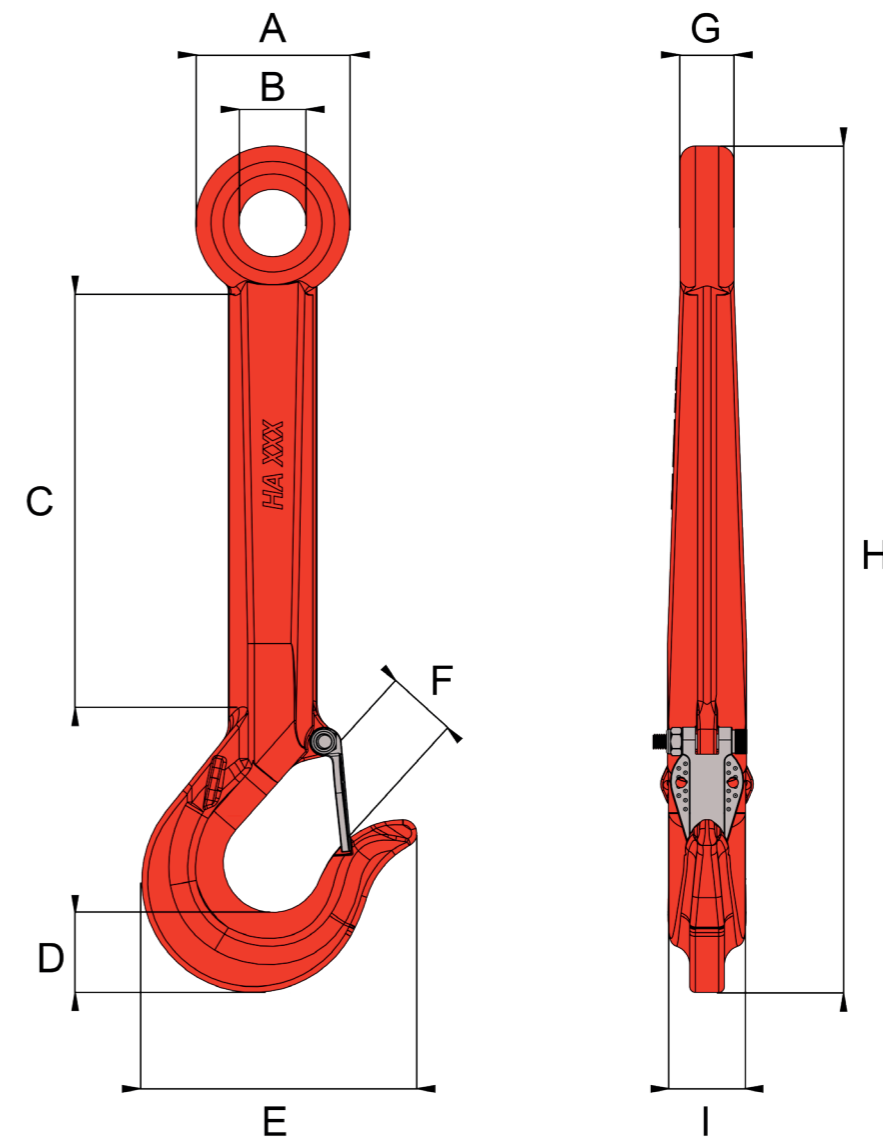
Finish: Powder coated.

Latches: Robust butterfly latch design, for wire rope engagement. Spares available on request.

N.D.T: All units are MPI tested.

Proof Load: 2.5 x WLL.

M.B.L.: 4 x WLL.



Imperial Specifications

PART CODE	WLL lbs	A inch	B inch	C inch	D inch	E inch	F inch	G inch	H inch	I inch	MASS lbs
8-H28-06	13,000	3.15	1.38	10.04	1.61	5.71	1.38	1.10	17.32	1.57	11.02
8-H28-12	25,000	3.74	1.77	8.86	1.97	6.73	1.77	1.57	18.78	1.97	19.84
8-H28-25	50,000	5.12	2.17	8.43	2.56	8.19	2.26	1.85	21.85	2.83	30.86