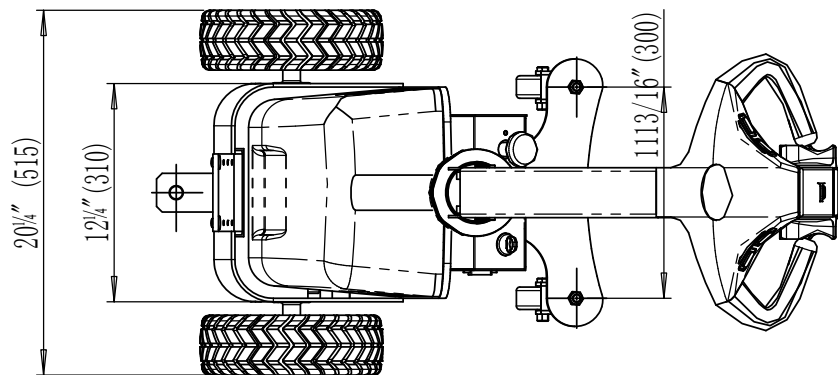
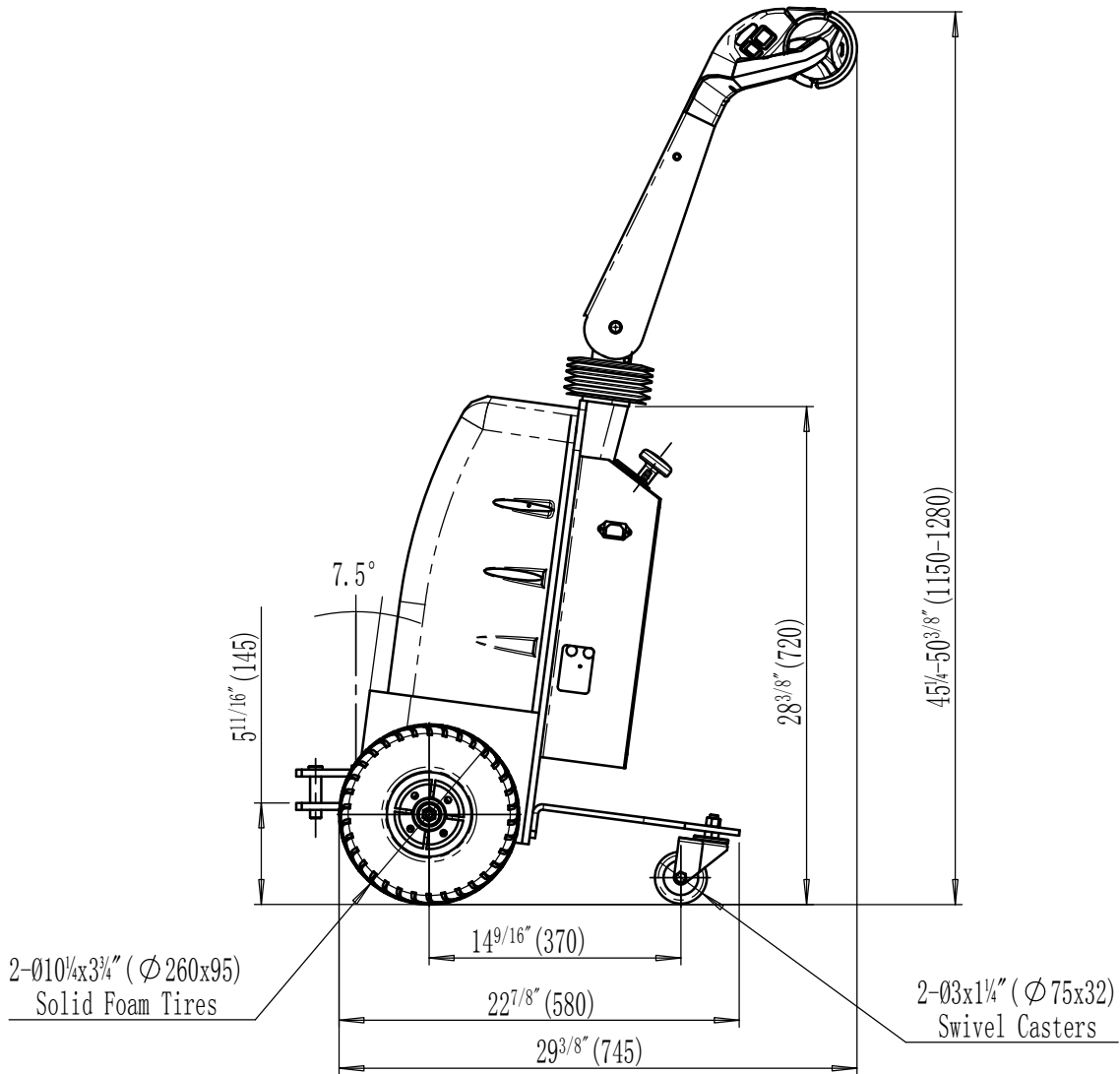


# E-TUG-10 (ELECTRIC POWERED TUGGER)



Specifications:  
 Capacity: 1,000 lbs  
 Drive Motor: DC24V/400W  
 Battery: 2x12V/55Ah  
 Charger: 24V/6amps (continuous current)  
 Controller: CT1212-2501  
 Loaded/unloaded speed: 3.7/4.3Km/h

<b>VESTIL MANUFACTURING CORP.</b>	
Model: E-TUG-10	
Description: Electric Powered Tugger	
Drawn By: T.M	Date: 09/18/2015