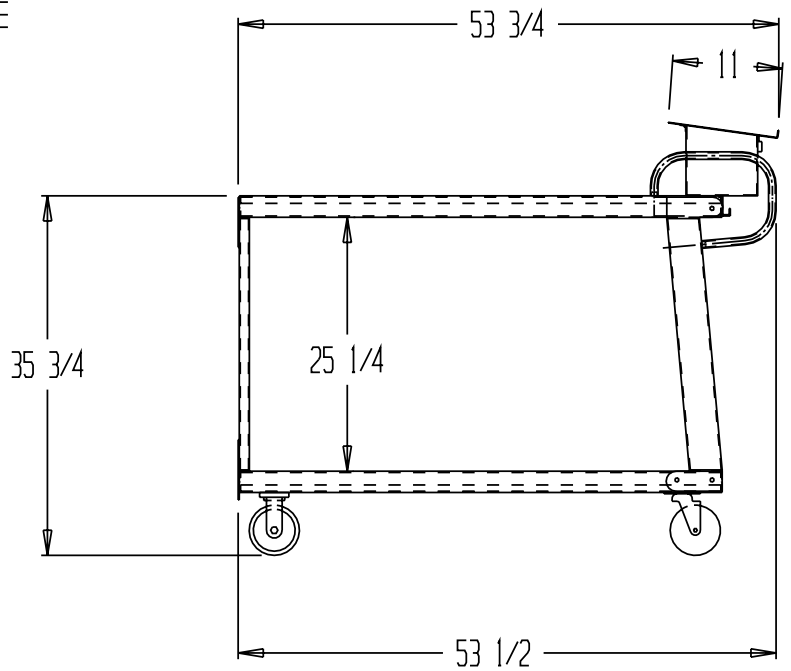
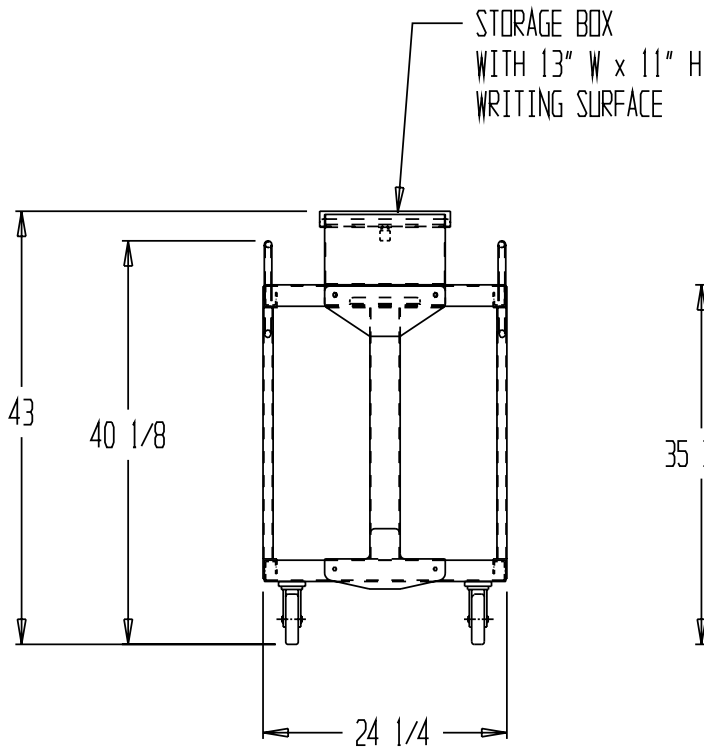
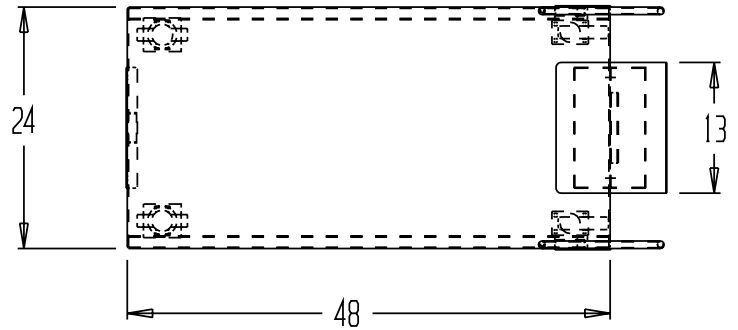


EASY-ACCESS STEEL STOCK TRUCK, EASY-A-2448



STANDARD FEATURES

MODEL NUMBER: EASY-A-2448

CAPACITY: 1,200 LBS.

DECK WIDTH: 24"

DECK LENGTH: 48"

OVERALL WIDTH: 24 1/4"

OVERALL LENGTH: 53 3/4"

OVERALL HEIGHT: 43"

CASTERS: POLY ON POLY, 5" X 1 1/4"

TWO SWIVEL W/LOCKS, TWO RIGID

THREE LEG DESIGN

SPECIAL FEATURES

-OPTIONAL BOLT ON STORAGE BOX

PRODUCTION WILL START UPON
RECEIPT OF SIGNED APPROVAL
DRAWING

APPROVAL

I, the undersigned, hereby approve this print

As drawn As marked

This includes my approval of design & dimensions.

Signed: _____

Date: _____

DISTRIBUTOR'S NAME: VESTIL MFG.		P.O.#: -
DRAWN BY: SR		W.O.#: -
DATE: 4-12-06	SALES: -	
REFERENCE: -	DRWG./FILE NAME: 33-007-116-001	
scale: 1:20		

**SPECIAL UNITS ARE NON-RETURNABLE

*AVAILABLE AT ADDITIONAL COSTS