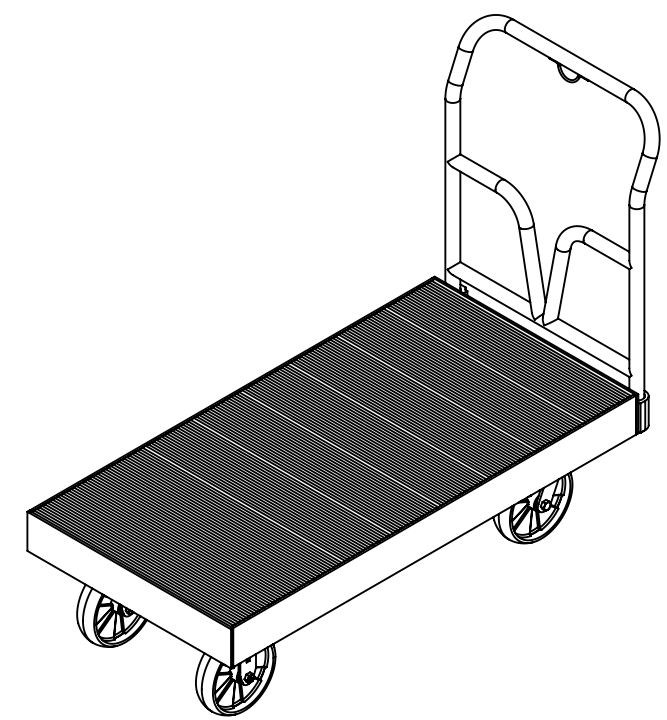
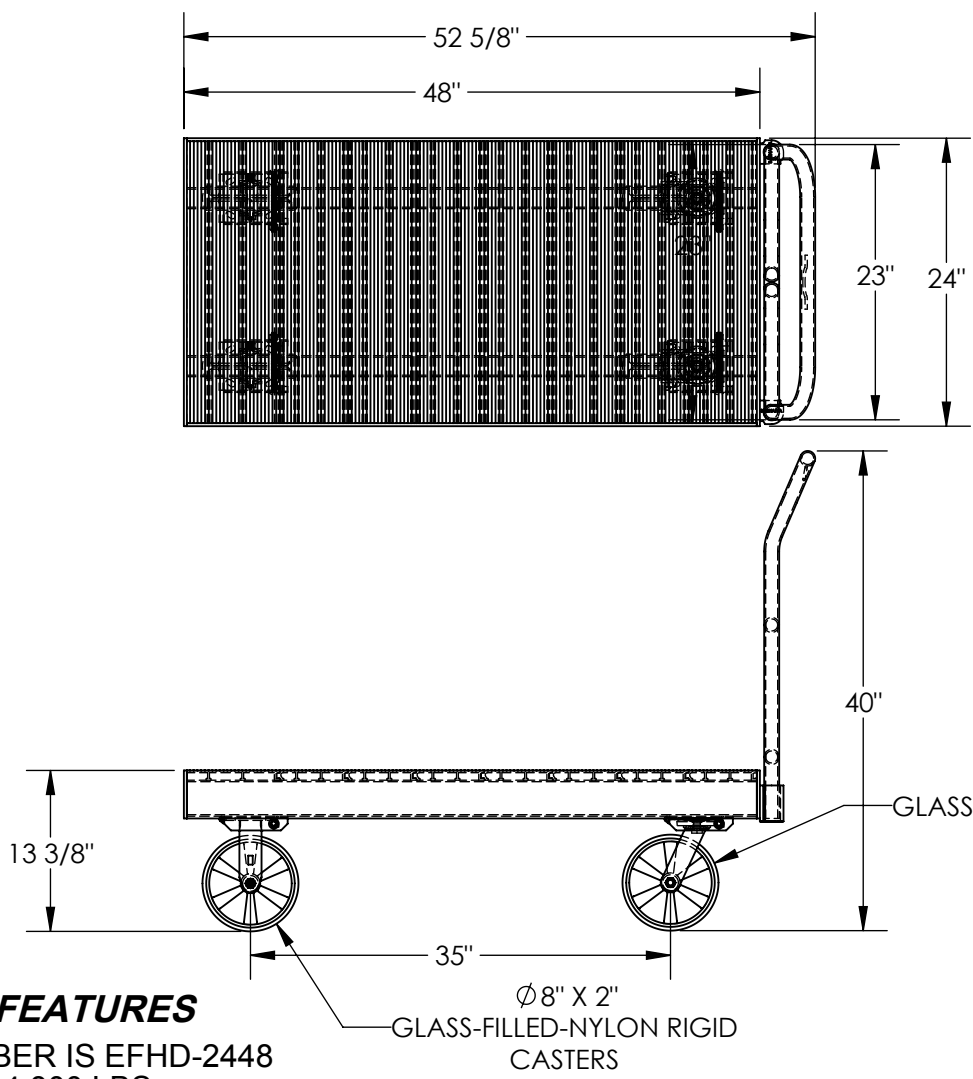


HEAVY DUTY EXTRUDED ALUMINUM PLATFORM TRUCK - EFHD-2448

APPROX WEIGHT: 193.11 lbs. DOES NOT INCLUDE WEIGHT OF POWER OR PACKAGING!!!

*** ANY ADDITIONS, DELETIONS, OR OMISSIONS MUST BE CORRECTED ON THIS DRAWING AS THIS DRAWING WILL BE CONSIDERED ALL INCLUSIVE ***
 ALL GRAPHICS PROVIDED ARE FOR REFERENCE ONLY. IF CERTAIN DIMENSIONS ARE CRITICAL PLEASE VERIFY THOSE DIMENSIONS WITH YOUR SALESPERSON



STANDARD FEATURES

- MODEL NUMBER IS EFHD-2448
- CAPACITY IS 4,800 LBS.
- DECK WIDTH IS 24"
- DECK LENGTH IS 48"
- PLATFORM HEIGHT IS 13 3/8"
- GLASS-FILLED-NYLON CASTERS
 - (2) - 8" x 2" RIGID
 - (2) - 8" x 2" SWIVEL
- HANDLE WIDTH IS 23"
- WELDED ALUMINUM CONSTRUCTION
- REMOVABLE HANDLE
- SMOOTH ALUMINUM SHEET DECK SURFACE

SPECIAL FEATURES

NONE

FOR INTERNAL USE ONLY PROJECT SIGN OFF	
SALES	
ENG.	
FAB.	
POWER	

Ø8" X 2"
GLASS-FILLED-NYLON SWIVEL
CASTERS

DIMENSION TOLERANCE ± 1/4"

APPROVAL	I, THE UNDERSIGNED, AGREE THAT THE PRODUCT AS REPRESENTED SATISFIES DESIGN AND DIMENSION REQUIREMENTS. I ALSO ACKNOWLEDGE MY DUTY TO CONFIRM PRODUCT AND INSTALLATION COMPLIANCE WITH ALL APPLICABLE FEDERAL, STATE AND LOCAL REGULATIONS AND STANDARDS.	
	ALL SPECIAL UNITS ARE NON-RETURNABLE	
	[] As drawn [] As marked	
	Signed: _____	Date: _____
LEAD TIME WILL START UPON RECEIPT OF SIGNED APPROVAL DRAWING		

DISTRIBUTOR'S NAME:		P.O.#
VESTIL MANUFACTURING		X
DRAWN BY: CA		W.O.#
DATE: 01/11/2012		X
REFERENCE: X	SCALE: 1:16	SALES: X
QUOTED LEAD TIME: X	QUOTE #	FILE NAME:
	X	33-007-037