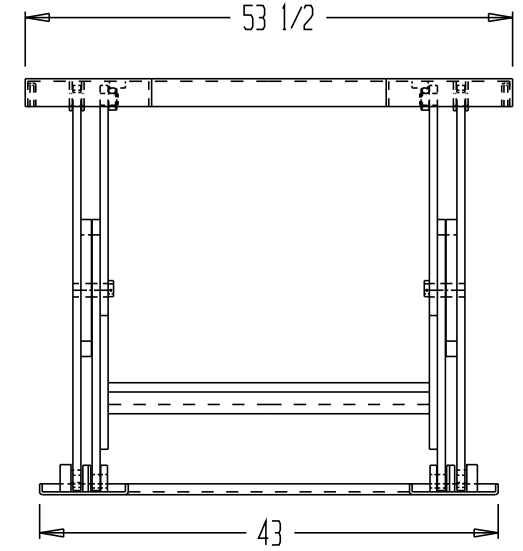
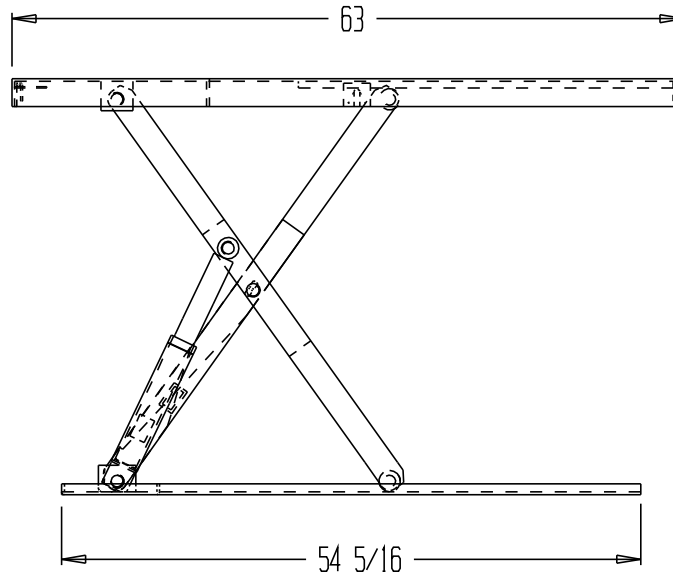


LOW PROFILE "E" TYPE ELECTRIC LIFT TABLE, EHE-3

**SPECIAL UNITS ARE NON-RETURNABLE
 *AVAILABLE AT ADDITIONAL COSTS

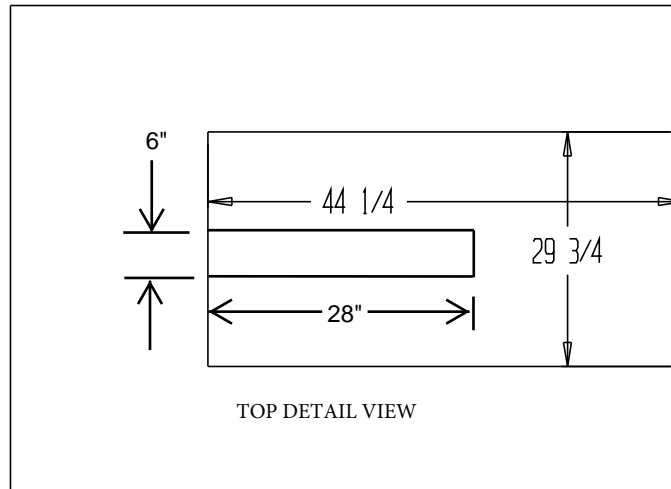
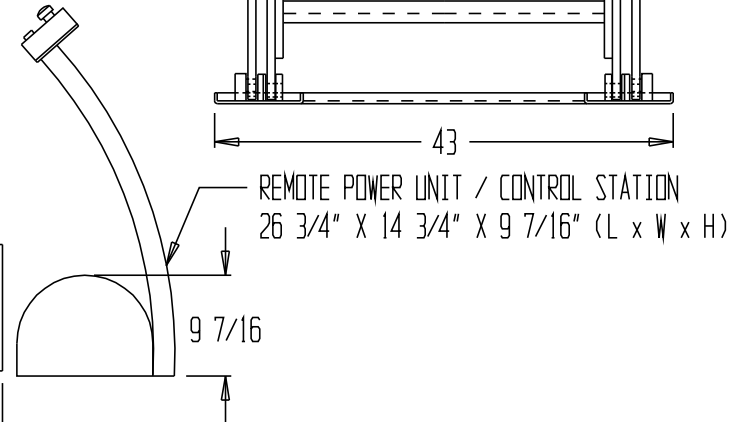
Deck tolerances +/- 1/2"
 Table height tolerances +/- 1/2"

PRODUCTION WILL START UPON
 RECEIPT OF SIGNED APPROVAL
 DRAWING



STANDARD FEATURES

MODEL NUMBER: EHE-3
 CAPACITY: 3,000 LBS
 PLATFORM WIDTH: 53 1/2"
 PLATFORM LENGTH: 63"
 PLATFORM RAISED HEIGHT: 33 7/8"
 PLATFORM LOWERED HEIGHT: 4 1/8"
 STANDARD REMOTE POWER UNIT / CONTROL STATION
 115V AC SINGLE PHASE (ONLY)
 INCLUDES SAFETY MAINTENANCE PROPS
 WHEN PROPS ARE ENGAGED, OVERALL HEIGHT: 28"



SPECIAL FEATURES

NONE

VESTIL MANUFACTURING CORP.	
Model:	EHE-3
Description:	Low Profile E Shape Electric Lift Table
Design:	T.M.
Date:	11/22/2017