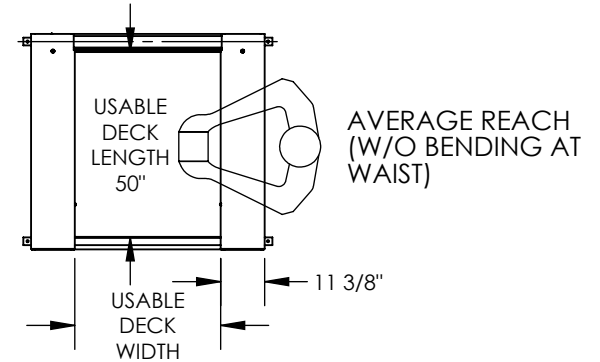
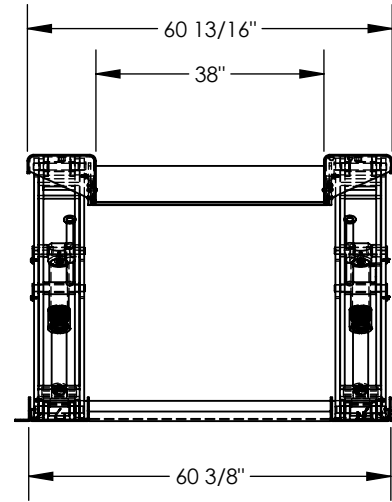
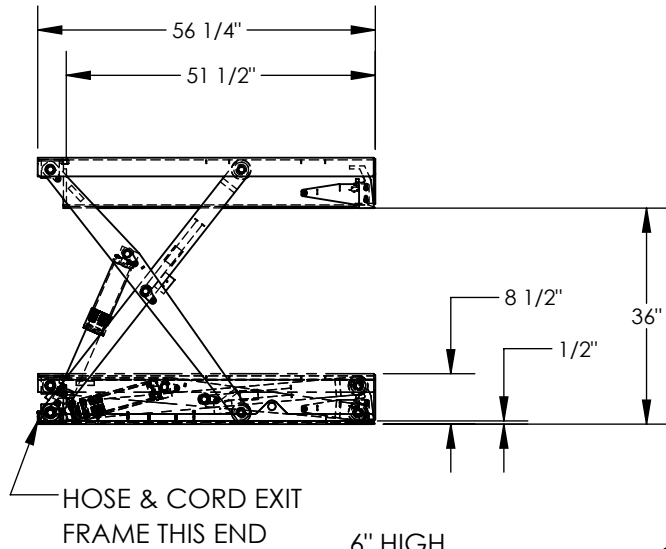


GROUND LIFT SCISSOR TABLE - EHLTG-3850-2-36

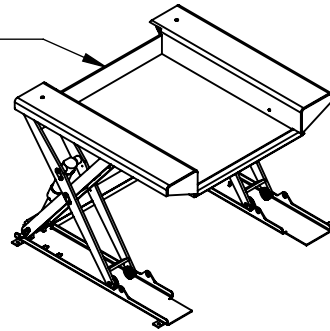
APPROX WEIGHT: 1238.11 lbs.
DOES NOT INCLUDE WEIGHT OF POWER OR PACKAGING!!!

*** ANY ADDITIONS, DELETIONS, OR OMISSIONS MUST BE CORRECTED ON THIS DRAWING AS THIS DRAWING WILL BE CONSIDERED ALL INCLUSIVE ***

ALL GRAPHICS PROVIDED ARE FOR REFERENCE ONLY. IF CERTAIN DIMENSIONS ARE CRITICAL PLEASE VERIFY THOSE DIMENSIONS WITH YOUR SALESPERSON

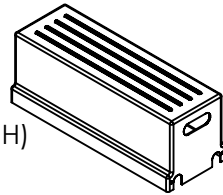


6" HIGH BACK PLATE



DECK TOLERANCE $\pm 1/2"$
TABLE HEIGHT TOLERANCE $\pm 1/2"$
DECK FLATNESS $\pm 1/4"$

REMOTE POWER UNIT:
32 1/2" x 12" x 12 1/2" (L x W x H)
WITH 8' HOSE & CABLE



DIMENSION TOLERANCE $\pm 1/4"$

STANDARD FEATURES

MODEL NUMBER IS EHLTG-3850-2-36
PLATFORM USABLE LENGTH IS 50"
PLATFORM USABLE WIDTH IS 38"
PLATFORM RAISED MAX HEIGHT IS 36"
PLATFORM LOWERED MIN HEIGHT IS 1/2"
OVERALL LENGTH IS 56 1/4"
OVERALL WIDTH IS 60 13/16"
TABLE CAPACITY (EVENLY DISTRIBUTED)
LOAD IS 2,000 LBS
REMOTE POWER UNIT
2 HP MOTOR (@ 3 PHASE)
3/4 HP MOTOR (@ 1 PHASE)
CONTROL IS FOOT SWITCH, 2 PEDAL, NEMA 1
WITH MINIMUM 8' USABLE STRAIGHT CORD
SAFETY MAINTENANCE PROPS
DISPLACEMENT STYLE CYLINDERS
INSTALLED ROD DOWN
EMERGENCY SAFETY STOP HYDRAULIC FUSE
IN EACH CYLINDER
UPPER TRAVEL LIMIT SWITCH
ELECTRIC PINCH POINT GUARD
UNITS HAVE 2' TEST LEAD AND PIG TAIL
DURABLE LIQUID PAINT BLUE FINISH

PLEASE CIRCLE SPECIFICATIONS:

POWER	<input checked="" type="checkbox"/> AC	<input type="checkbox"/> DC (12V)	<input type="checkbox"/> AIR/OIL
MOTOR VOLTAGE	<input type="checkbox"/> 115	<input type="checkbox"/> 200	<input checked="" type="checkbox"/> 460
DEDICATED CIRCUIT REQUIRED 60Hz			
MOTOR PHASE	<input type="checkbox"/> SINGLE	<input checked="" type="checkbox"/> THREE	
CONTROL	<input type="checkbox"/> HAND	<input checked="" type="checkbox"/> FOOT	

SPECIAL FEATURES

NONE

I, THE UNDERSIGNED, AGREE THAT THE PRODUCT AS REPRESENTED SATISFIES DESIGN AND DIMENSION REQUIREMENTS. I ALSO ACKNOWLEDGE MY DUTY TO CONFIRM PRODUCT AND INSTALLATION COMPLIANCE WITH ALL APPLICABLE FEDERAL, STATE AND LOCAL REGULATIONS AND STANDARDS.

UNITS REQUIRING APPROVAL DRAWINGS OR MODIFIED ARE NON-RETURNABLE

[] As drawn [] As marked

Signed: _____ Date: _____

Printed Name: _____

LEAD TIME WILL START UPON RECEIPT OF SIGNED APPROVAL DRAWING

DISTRIBUTOR'S NAME:		P.O.#
VESTIL MANUFACTURING		X
DRAWN BY: JWW		W.O.#
DATE: 10/02/2013		X
REFERENCE: X	SCALE: 1:32	SALES: X
QUOTED LEAD TIME: ## WEEKS	QUOTE # X	FILE NAME:
		04-007-101