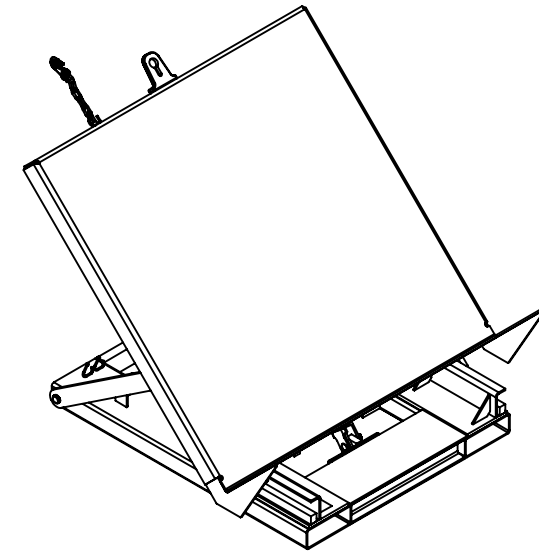
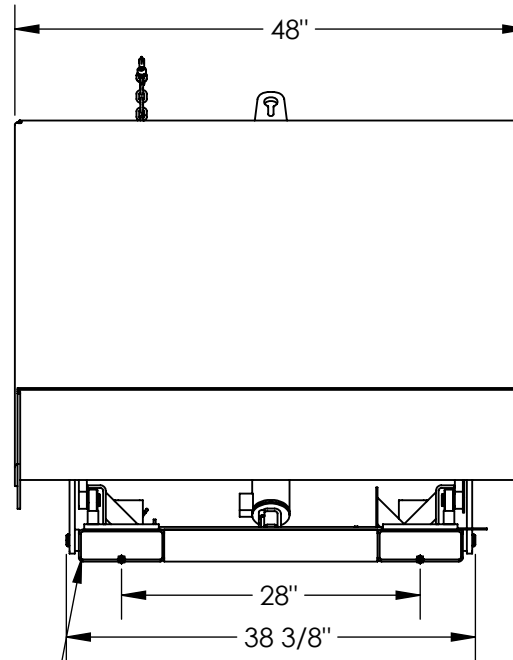
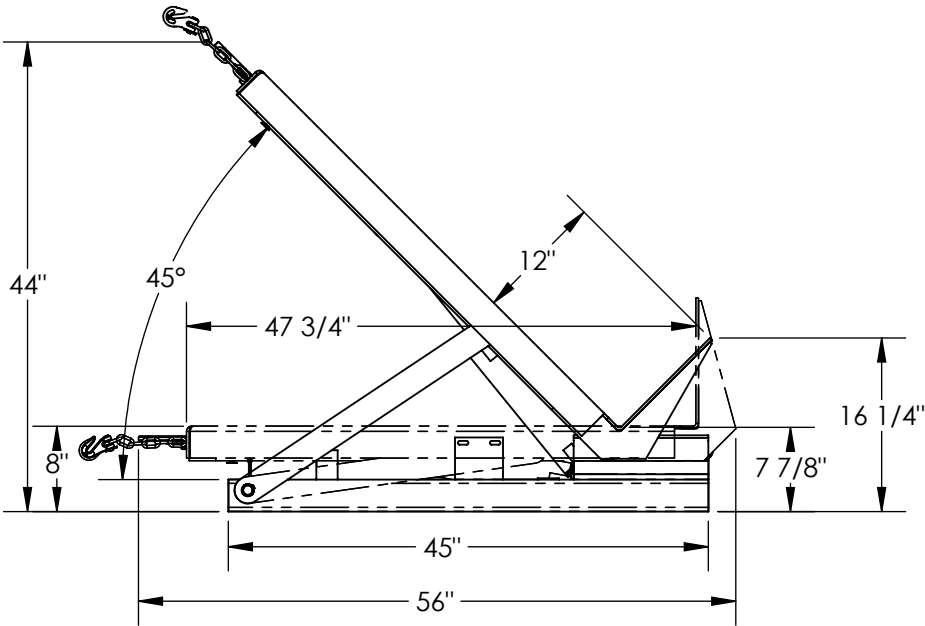


# SLIDING TILT TABLE - EHTT-L

APPROX WEIGHT: 647.0859 lbs.  
DOES NOT INCLUDE WEIGHT OF POWER OR PACKAGING!!!

\*\*\* ANY ADDITIONS, DELETIONS, OR OMISSIONS MUST BE CORRECTED ON THIS DRAWING AS THIS DRAWING WILL BE CONSIDERED ALL INCLUSIVE \*\*\*  
ALL GRAPHICS PROVIDED ARE FOR REFERENCE ONLY. IF CERTAIN DIMENSIONS ARE CRITICAL PLEASE VERIFY THOSE DIMENSIONS WITH YOUR SALESPERSON

DECK TOLERANCES  $\pm 1/2"$   
TABLE HEIGHT TOLERANCES  $\pm 1/2"$   
DECK FLATNESS  $\pm 1/4"$



FOR INTERNAL USE ONLY PROJECT SIGN OFF	
SALES	
ENG.	
FAB.	
POWER	

7 1/2" X 2 1/2"  
USABLE FORK POCKETS

DIMENSION TOLERANCE  $\pm 1/4"$

## STANDARD FEATURES

MODEL NUMBER IS EHTT-L  
MAX CAPACITY: 4,000 LBS.  
OVERALL WIDTH: 48"  
PLATFORM WIDTH: 48"  
OVERALL LENGTH: 56"  
PLATFORM LENGTH: 47 3/4"  
OVERALL HEIGHT: 44"  
LEVEL HEIGHT: 8"  
LIP HEIGHT: 12"  
MAXIMUM LINK TILT ANGLE: 45°  
INTERNAL POWER UNIT  
24V HAND CONTROL ON 8 FT. COIL CORD  
FORK-POCKET BASE 7 1/2" X 2 1/2" H POCKETS ON 28" CENTERS  
DURABLE LIQUID PAINT BLUE FINISH

## PLEASE CIRCLE SPECIFICATIONS:

POWER	<input checked="" type="checkbox"/> AC	<input type="checkbox"/> DC (12V)	<input type="checkbox"/> AIR/OIL
MOTOR VOLTAGE	<input type="checkbox"/> 115	<input type="checkbox"/> 208	<input checked="" type="checkbox"/> 460
DEDICATED CIRCUIT REQUIRED 60Hz			
MOTOR PHASE	<input type="checkbox"/> SINGLE	<input checked="" type="checkbox"/> THREE	
CONTROL	<input checked="" type="checkbox"/> HAND	<input type="checkbox"/> FOOT	

## SPECIAL FEATURES

NONE

**A P P R O V A L**

I, THE UNDERSIGNED, AGREE THAT THE PRODUCT AS REPRESENTED SATISFIES DESIGN AND DIMENSION REQUIREMENTS. I ALSO ACKNOWLEDGE MY DUTY TO CONFIRM PRODUCT AND INSTALLATION COMPLIANCE WITH ALL APPLICABLE FEDERAL, STATE AND LOCAL REGULATIONS AND STANDARDS.

**ANY MODIFIED UNITS ARE NON-RETURNABLE**

[ ] As drawn [ ] As marked

Signed: \_\_\_\_\_ Date: \_\_\_\_\_

Printed Name: \_\_\_\_\_

LEAD TIME WILL START UPON RECEIPT OF SIGNED APPROVAL DRAWING

DISTRIBUTOR'S NAME:		P.O.#
VESTIL MANUFACTURING		X
DRAWN BY: CRA		DATE: 03/18/2019
REFERENCE: X		SCALE: 1:18
QUOTED LEAD TIME: X		QUOTE # X
		SALES: X
		FILE NAME: 03-007-030