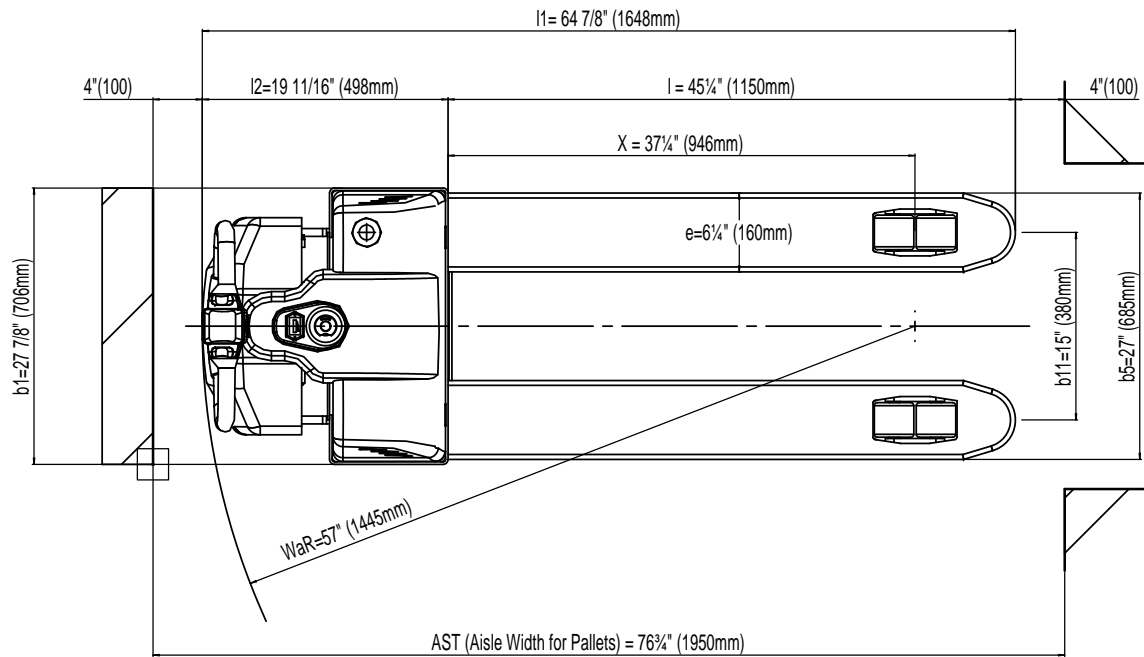
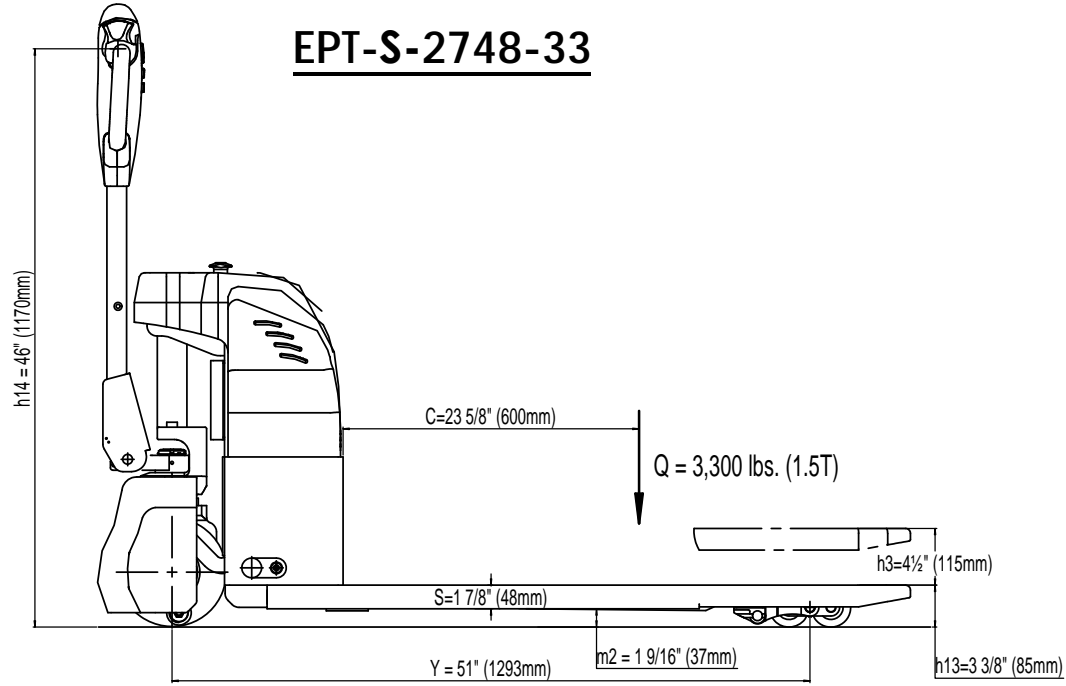


# EPT-S-2748-33



<b>VESTIL MANUFACTURING CORP.</b>	
MODEL:	EPT-S-2748-33
DESCRIPTION: 3,300 LBS FULLY ELECTRIC PALLET TRUCK	
DESIGN: T.M.	DATE: 07/19/2014