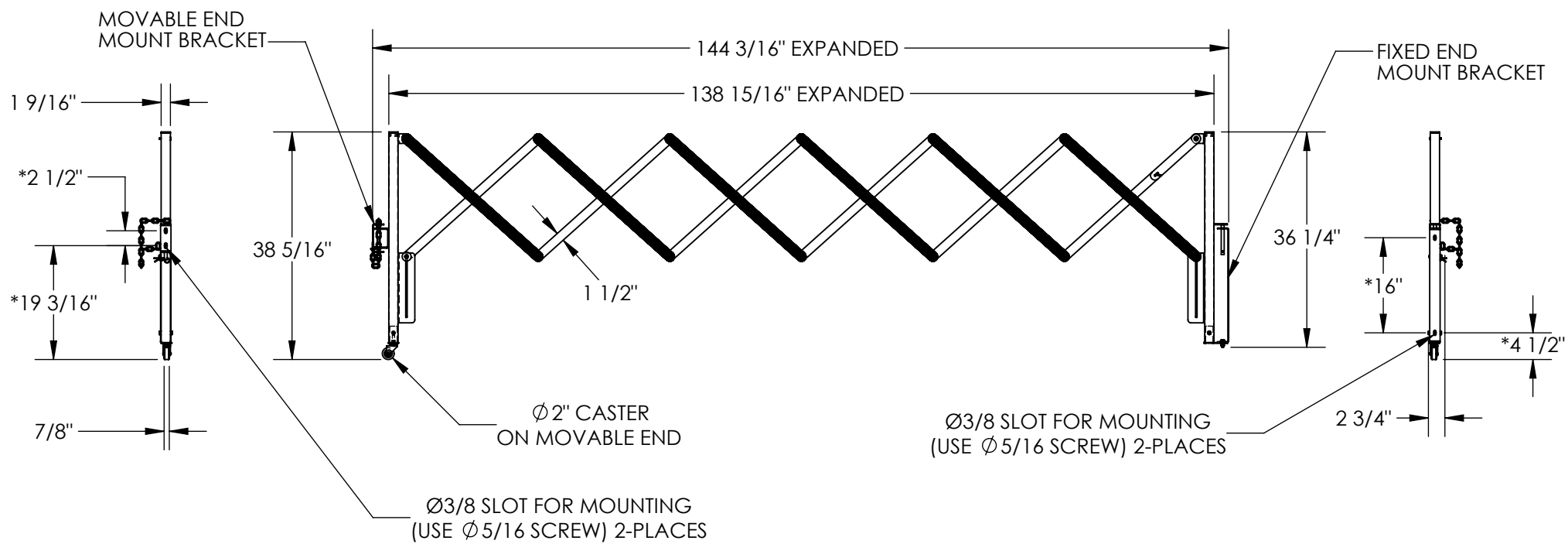


WALL MOUNTED EXPAND-A-GATE - EXGATE-30-W

APPROX WEIGHT: 50.88 lbs.
DOES NOT INCLUDE WEIGHT OF POWER OR PACKAGING!!!

*** ANY ADDITIONS, DELETIONS, OR OMISSIONS MUST BE CORRECTED ON THIS DRAWING AS THIS DRAWING WILL BE CONSIDERED ALL INCLUSIVE ***
ALL GRAPHICS PROVIDED ARE FOR REFERENCE ONLY. IF CERTAIN DIMENSIONS ARE CRITICAL PLEASE VERIFY THOSE DIMENSIONS WITH YOUR SALESPERSON

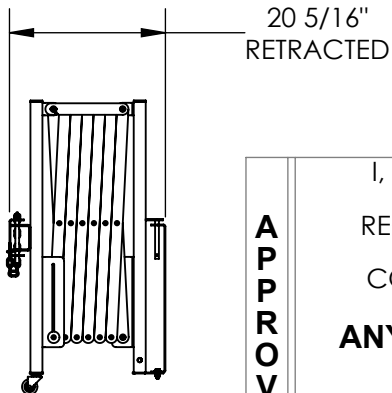


STANDARD FEATURES

- MODEL NUMBER IS EXGATE-30-W
- OVERALL LENGTH EXPANDED IS 144 3/16"
- OVERALL LENGTH RETRACTED IS 20 5/16"
- OVERALL WIDTH IS 2 3/4"
- OVERALL HEIGHT IS 38 5/16"
- STEEL CONSTRUCTION
- (1) ϕ 2" X 7/8" SWIVEL CASTER
- FIXED END REMAINS ATTACHED TO WALL
- MOVABLE END CAN BE DETACHED FOR OPENING GATE
- PAINTED YELLOW AND BLACK
- STEEL CONSTRUCTION
- SHIPS KNOCKED DOWN

SPECIAL FEATURES

NONE



* = DIMENSION TO MIDDLE OF SLOTS
DIMENSION TOLERANCE \pm 1/2"

APPROVAL	I, THE UNDERSIGNED, AGREE THAT THE PRODUCT AS REPRESENTED SATISFIES DESIGN AND DIMENSION REQUIREMENTS. I ALSO ACKNOWLEDGE MY DUTY TO CONFIRM PRODUCT AND INSTALLATION COMPLIANCE WITH ALL APPLICABLE FEDERAL, STATE AND LOCAL REGULATIONS AND STANDARDS.	
	ANY MODIFIED UNITS ARE NON-RETURNABLE	
	[] As drawn	[] As marked
	Signed: _____	Date: _____
Printed Name: _____		
LEAD TIME WILL START UPON RECEIPT OF SIGNED APPROVAL DRAWING		

FOR INTERNAL USE ONLY PROJECT SIGN OFF	
SALES	
ENG.	
FAB.	
POWER	

DISTRIBUTOR'S NAME:		P.O.#
VESTIL MANUFACTURING		X
DRAWN BY: MTS		W.O.#
DATE: 06/18/14		X
REFERENCE: X	SCALE: 1:25	SALES: X
QUOTED LEAD TIME: X	QUOTE #	FILE NAME:
	X	23-007-517