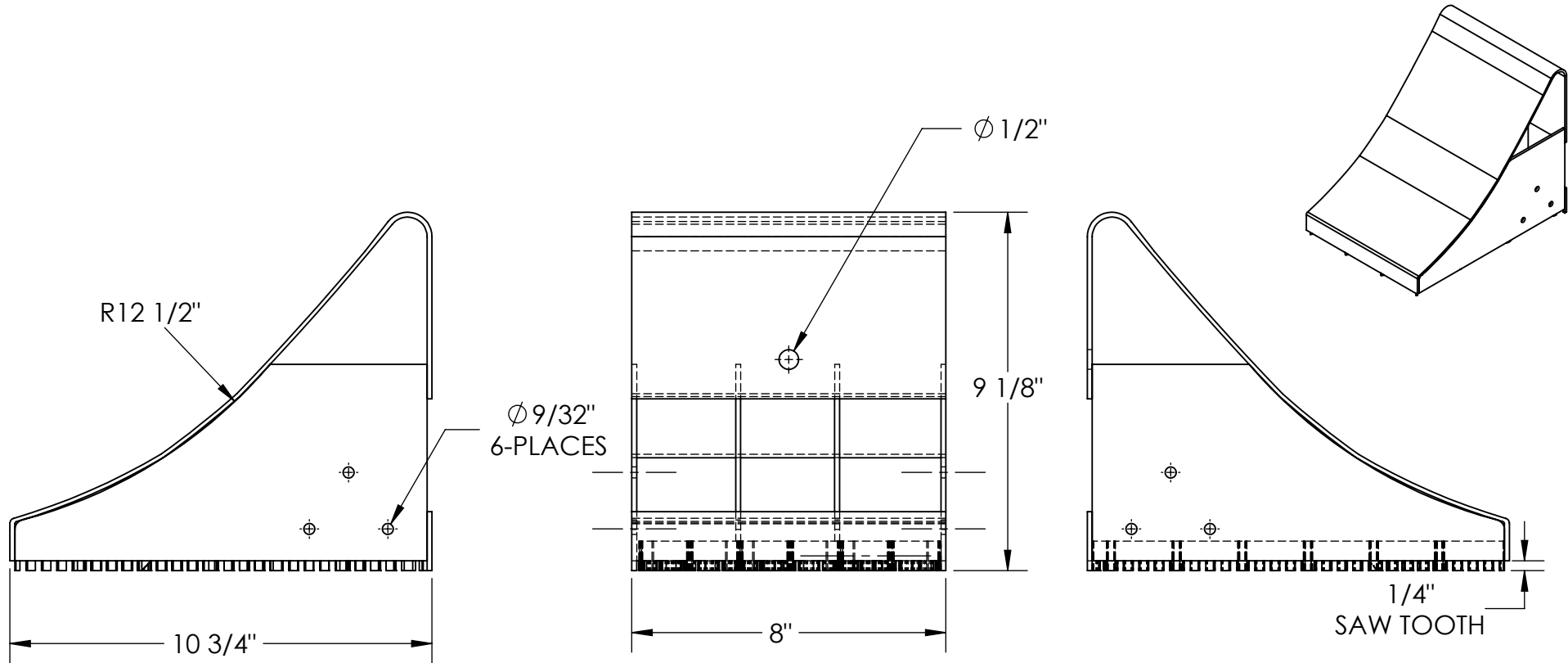


FORMED STEEL WHEEL CHOCK - FAB-11-FYL

APPROX WEIGHT: 10.58 lbs.
 DOES NOT INCLUDE WEIGHT OF POWER OR PACKAGING!!!

*** ANY ADDITIONS, DELETIONS, OR OMISSIONS MUST BE CORRECTED ON THIS DRAWING AS THIS DRAWING WILL BE CONSIDERED ALL INCLUSIVE ***
 ALL GRAPHICS PROVIDED ARE FOR REFERENCE ONLY. IF CERTAIN DIMENSIONS ARE CRITICAL PLEASE VERIFY THOSE DIMENSIONS WITH YOUR SALESPERSON



DIMENSION TOLERANCE $\pm\ 1/2"$

STANDARD FEATURES

- MODEL NUMBER IS FAB-11-FYL
- OVERALL WIDTH IS 8"
- OVERALL LENGTH IS 10 3/4"
- OVERALL HEIGHT IS 9 1/8"
- UTILIZES A SAW TOOTH BOTTOM FOR TRACTION
- STEEL CONSTRUCTION
- TOUGH BAKED IN POWDER COATED FLUORESCENT YELLOW FINISH

SPECIAL FEATURES

NONE

A P P R O V A L	I, THE UNDERSIGNED, AGREE THAT THE PRODUCT AS REPRESENTED SATISFIES DESIGN AND DIMENSION REQUIREMENTS. I ALSO ACKNOWLEDGE MY DUTY TO CONFIRM PRODUCT AND INSTALLATION COMPLIANCE WITH ALL APPLICABLE FEDERAL, STATE AND LOCAL REGULATIONS AND STANDARDS.	
	UNITS REQUIRING APPROVAL DRAWINGS OR MODIFIED ARE NON-RETURNABLE	
	<input type="checkbox"/> As drawn	<input type="checkbox"/> As marked
	Signed: _____	Date: _____
	Printed Name: _____	
LEAD TIME WILL START UPON RECEIPT OF SIGNED APPROVAL DRAWING		

DISTRIBUTOR'S NAME:		P.O.#
VESTIL MANUFACTURING		X
DRAWN BY: TCB		DATE: 12/21/2020
REFERENCE: X		SCALE: 1:4
QUOTED LEAD TIME: X		QUOTE # X
		SALES: X
		FILE NAME: 23-007-164-002