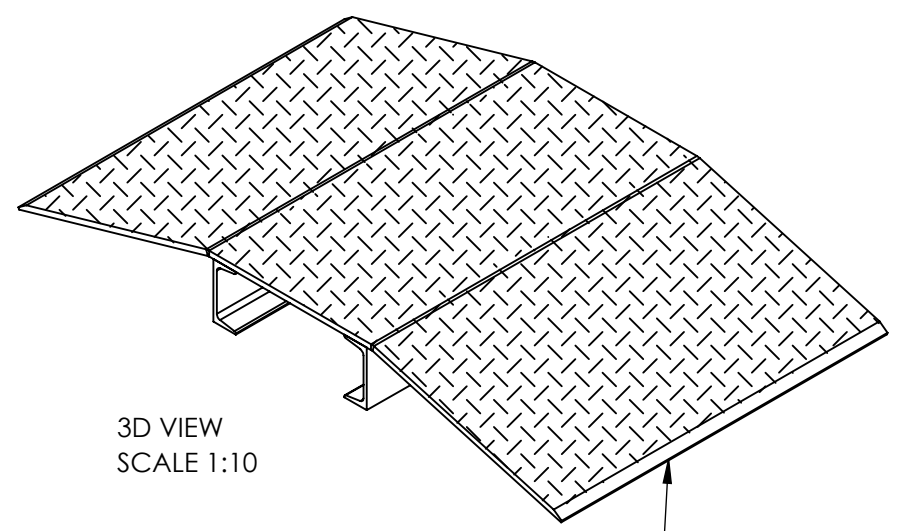
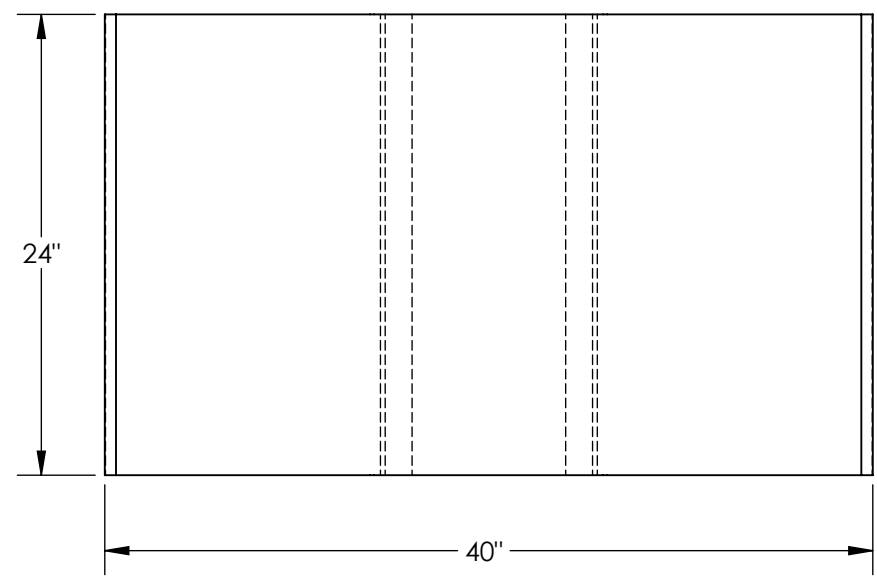


# FABRICATED ALUMINUM HOSE & CABLE CROSSOVER RAMP - FHCR-24-40-8-4H-YL

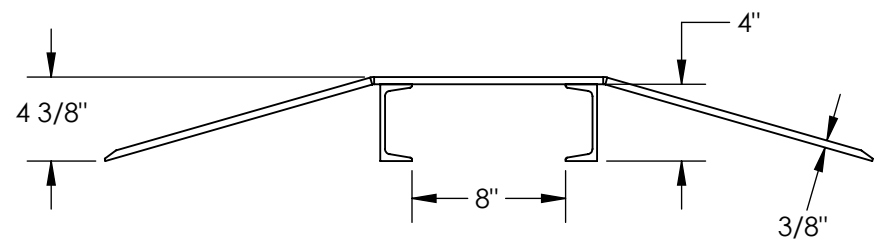
APPROX WEIGHT: 44.07 lbs.  
 DOES NOT INCLUDE WEIGHT OF POWER OR PACKAGING!!!

\*\*\* ANY ADDITIONS, DELETIONS, OR OMISSIONS MUST BE CORRECTED ON THIS DRAWING AS THIS DRAWING WILL BE CONSIDERED ALL INCLUSIVE \*\*\*  
 ALL GRAPHICS PROVIDED ARE FOR REFERENCE ONLY. IF CERTAIN DIMENSIONS ARE CRITICAL PLEASE VERIFY THOSE DIMENSIONS WITH YOUR SALESPERSON



3D VIEW  
 SCALE 1:10

BEVELED EDGE  
 FRONT & REAR



DIMENSION TOLERANCE  $\pm 1/4"$

## STANDARD FEATURES

MODEL NUMBER IS FHCR-24-40-8-4H-YL  
 CAPACITY: 2,000 LBS.  
 OVERALL WIDTH IS 24"  
 OVERALL LENGTH IS 40"  
 OVERALL HEIGHT IS 4 3/8"  
 USABLE SPAN IS 8" WIDE x 4" HIGH  
 MATERIAL: ALUMINUM TREADPLATE  
 TOUGH BAKED IN POWDER COATED  
 YELLOW FINISH

## SPECIAL FEATURES

NONE

**APPROVAL**

I, THE UNDERSIGNED, AGREE THAT THE PRODUCT AS REPRESENTED SATISFIES DESIGN AND DIMENSION REQUIREMENTS. I ALSO ACKNOWLEDGE MY DUTY TO CONFIRM PRODUCT AND INSTALLATION COMPLIANCE WITH ALL APPLICABLE FEDERAL, STATE AND LOCAL REGULATIONS AND STANDARDS.

**ANY MODIFIED UNITS ARE NON-RETURNABLE**

[ ] As drawn      [ ] As marked

Signed: \_\_\_\_\_ Date: \_\_\_\_\_

Printed Name: \_\_\_\_\_

*LEAD TIME WILL START UPON RECEIPT OF SIGNED APPROVAL DRAWING*

|   |  |
|---|--|
| FOR INTERNAL USE ONLY<br>PROJECT SIGN OFF |  |
| SALES                                     |  |
| ENG.                                      |  |
| FAB.                                      |  |
| POWER                                     |  |

|                      |                  |                |
|----------------------|------------------|----------------|
| DISTRIBUTOR'S NAME:  |                  | P.O.#          |
| VESTIL MANUFACTURING |                  | X              |
| W.O.#                |                  | X              |
| DRAWN BY: MTS        | DATE: 05/28/2020 | SALES: X       |
| REFERENCE: X         | SCALE: 1:10      | FILE NAME:     |
| QUOTED LEAD TIME: X  | QUOTE # X        | 29-007-236-001 |