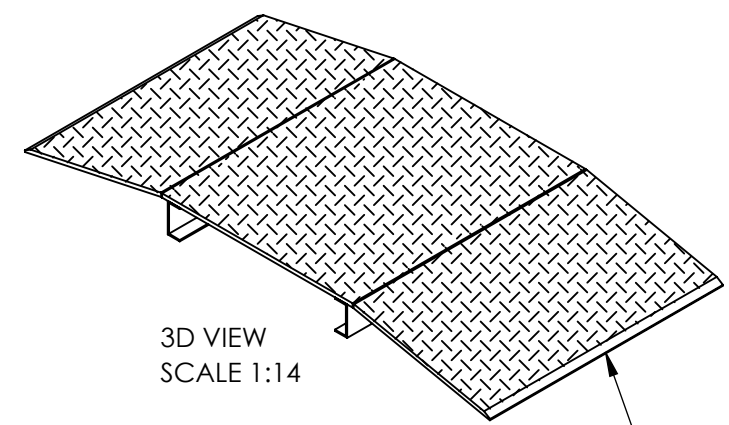
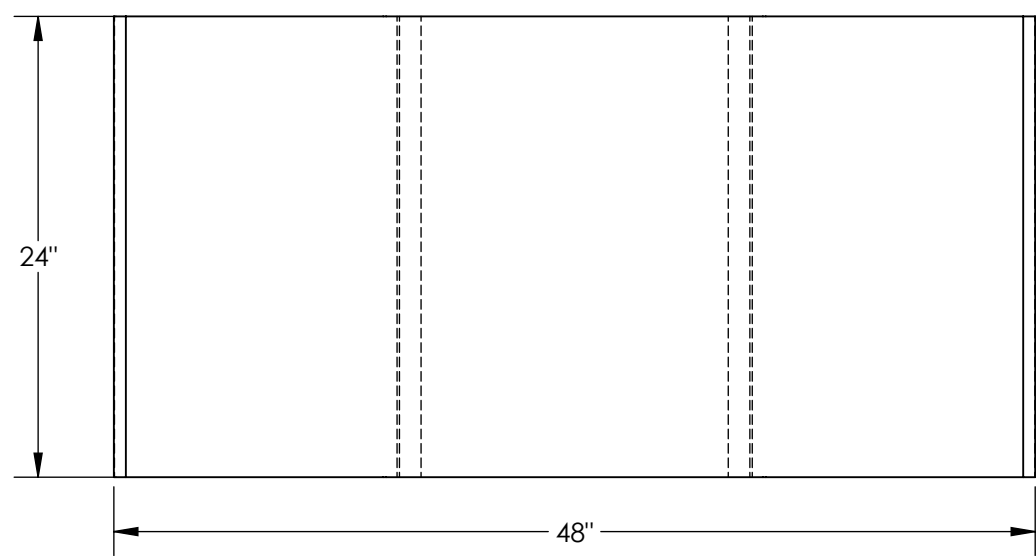


# FABRICATED ALUMINUM HOSE & CABLE CROSSOVER RAMP - FHCR-24-48-16-YL

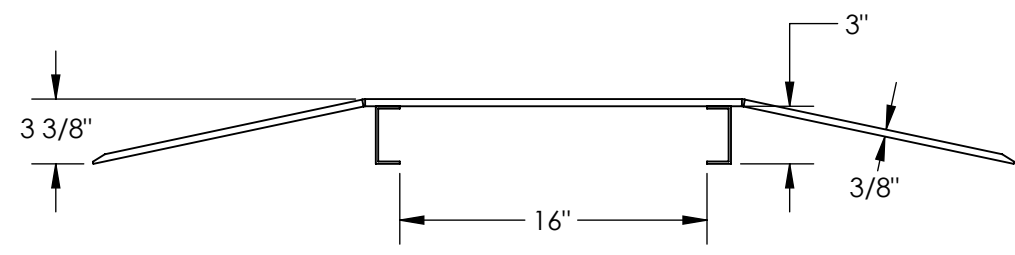
APPROX WEIGHT: 45.38 lbs.  
 DOES NOT INCLUDE WEIGHT OF POWER OR PACKAGING!!!

\*\*\* ANY ADDITIONS, DELETIONS, OR OMISSIONS MUST BE CORRECTED ON THIS DRAWING AS THIS DRAWING WILL BE CONSIDERED ALL INCLUSIVE \*\*\*  
 ALL GRAPHICS PROVIDED ARE FOR REFERENCE ONLY. IF CERTAIN DIMENSIONS ARE CRITICAL PLEASE VERIFY THOSE DIMENSIONS WITH YOUR SALESPERSON



3D VIEW  
 SCALE 1:14

BEVELED EDGE  
 FRONT & REAR



## STANDARD FEATURES

MODEL NUMBER IS FHCR-24-48-16-YL  
 CAPACITY: 2,000 LBS.  
 OVERALL WIDTH IS 24"  
 OVERALL LENGTH IS 48"  
 OVERALL HEIGHT IS 3 3/8"  
 USABLE SPAN IS 16" WIDE x 3" HIGH  
 MATERIAL: ALUMINUM TREADPLATE  
 TOUGH BAKED IN POWDER COATED  
 YELLOW FINISH

## SPECIAL FEATURES

NONE

DIMENSION TOLERANCE ± 1/4"

**APPROVAL**

I, THE UNDERSIGNED, AGREE THAT THE PRODUCT AS REPRESENTED SATISFIES DESIGN AND DIMENSION REQUIREMENTS. I ALSO ACKNOWLEDGE MY DUTY TO CONFIRM PRODUCT AND INSTALLATION COMPLIANCE WITH ALL APPLICABLE FEDERAL, STATE AND LOCAL REGULATIONS AND STANDARDS.  
**ANY MODIFIED UNITS ARE NON-RETURNABLE**  
 As drawn       As marked

Signed: \_\_\_\_\_ Date: \_\_\_\_\_  
 Printed Name: \_\_\_\_\_  
**LEAD TIME WILL START UPON RECEIPT OF SIGNED APPROVAL DRAWING**

|   |  |
|---|--|
| FOR INTERNAL USE ONLY<br>PROJECT SIGN OFF |  |
| SALES                                     |  |
| ENG.                                      |  |
| FAB.                                      |  |
| POWER                                     |  |

|                      |  |                  |
|----------------------|--|------------------|
| DISTRIBUTOR'S NAME:  |  | P.O.#            |
| VESTIL MANUFACTURING |  | X                |
| DRAWN BY: MTS        |  | DATE: 05/28/2020 |
| REFERENCE: X         |  | SCALE: 1:10      |
| QUOTED LEAD TIME: X  |  | QUOTE #          |
|                      |  | X                |
|                      |  | FILE NAME:       |
|                      |  | 29-007-008-001   |